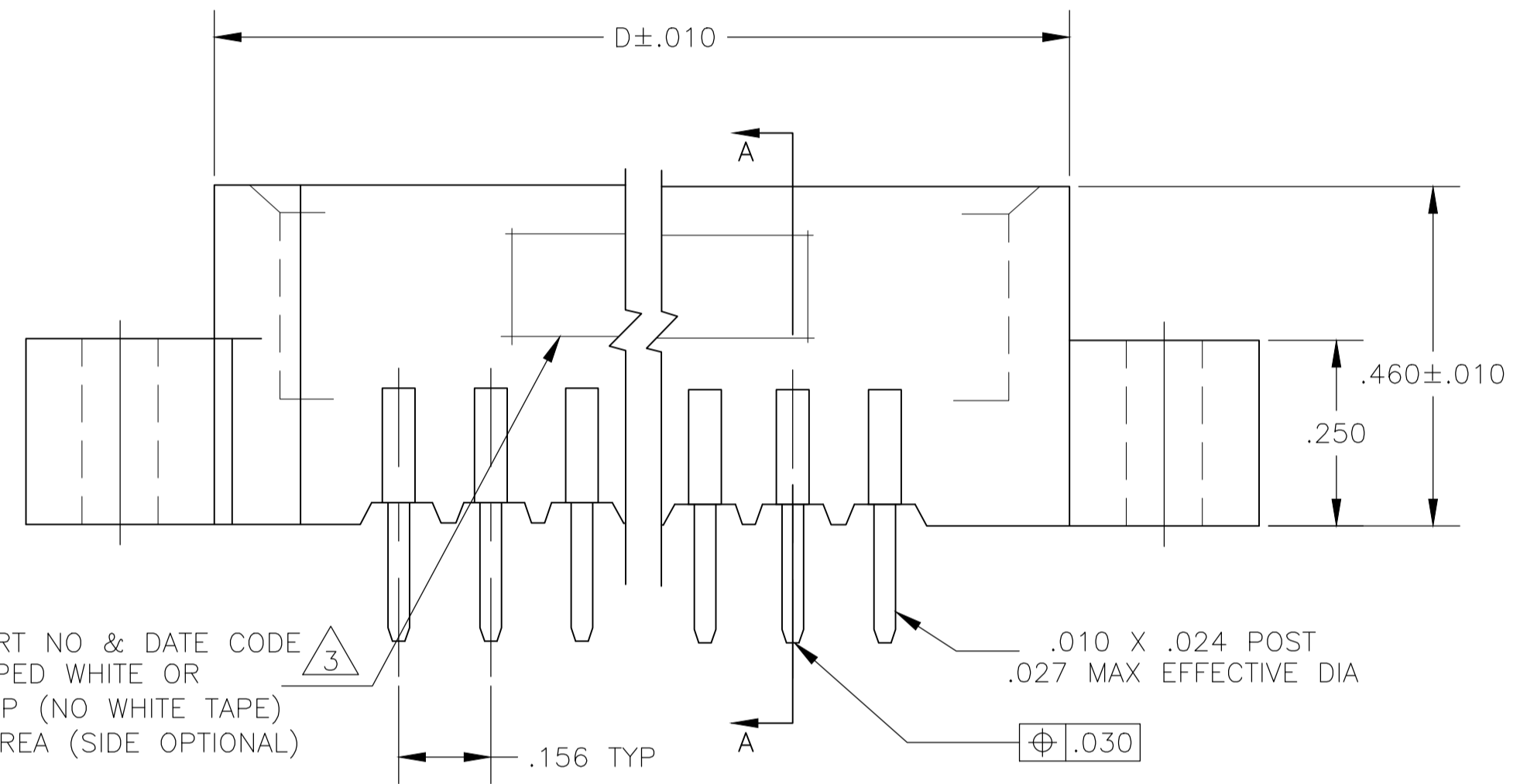
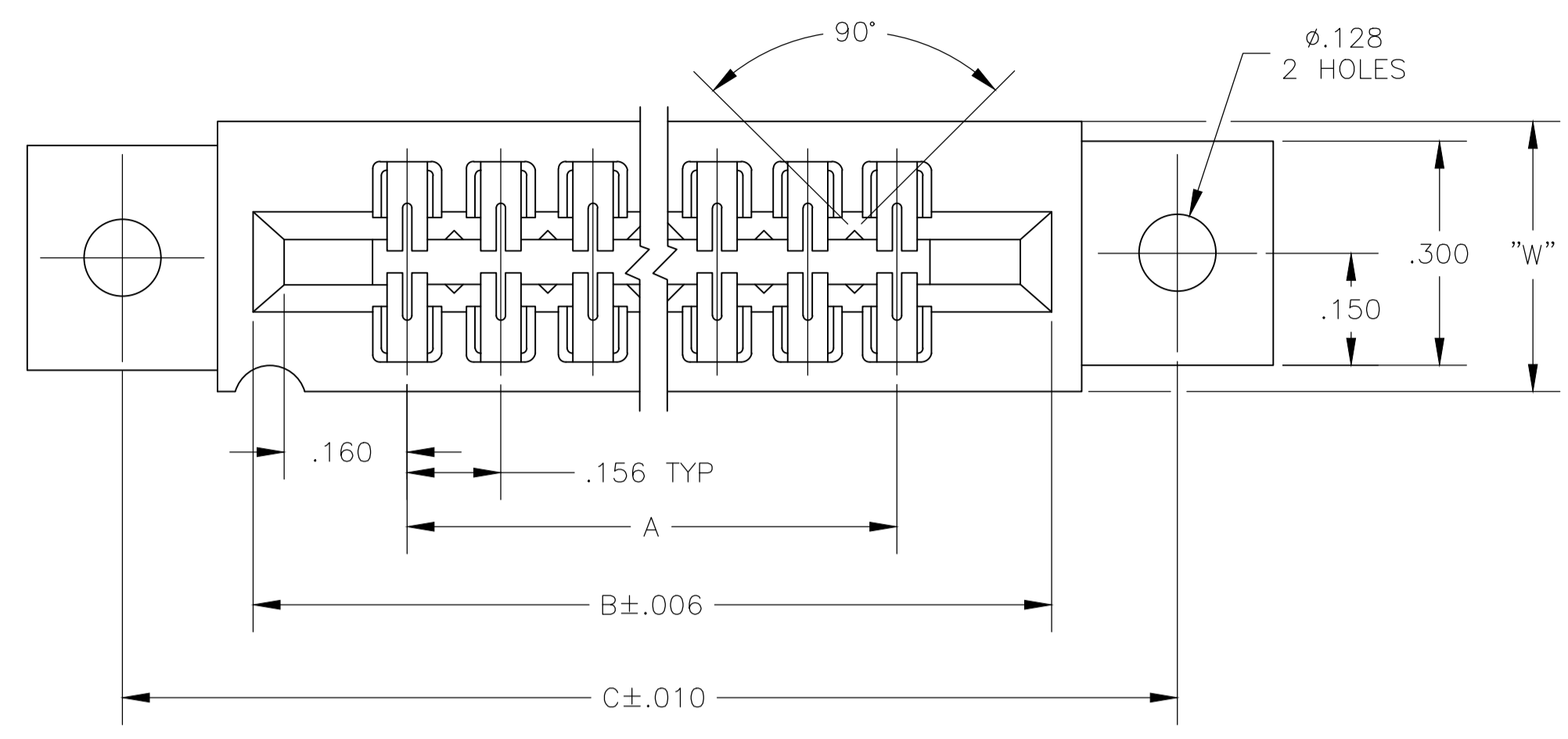
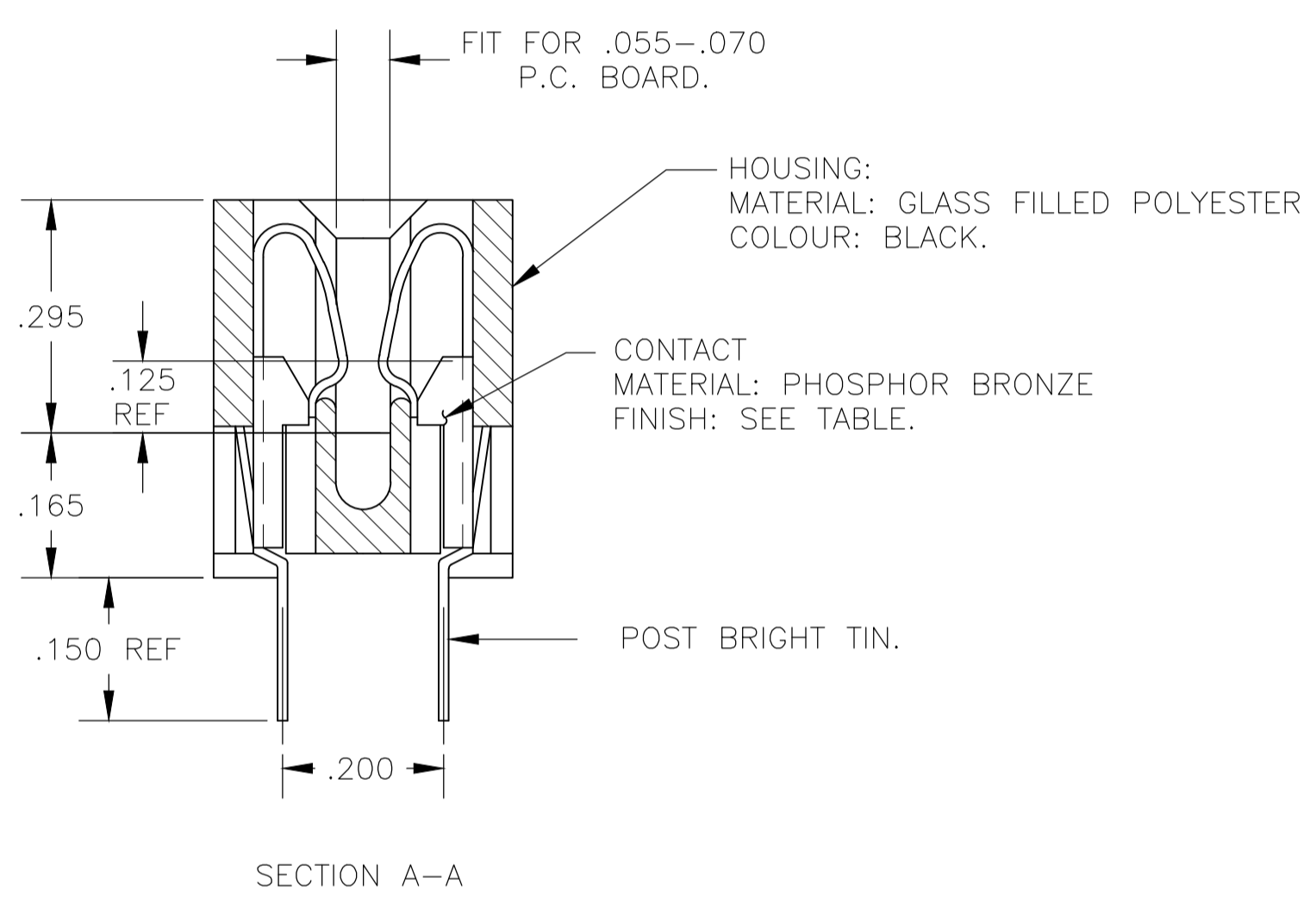


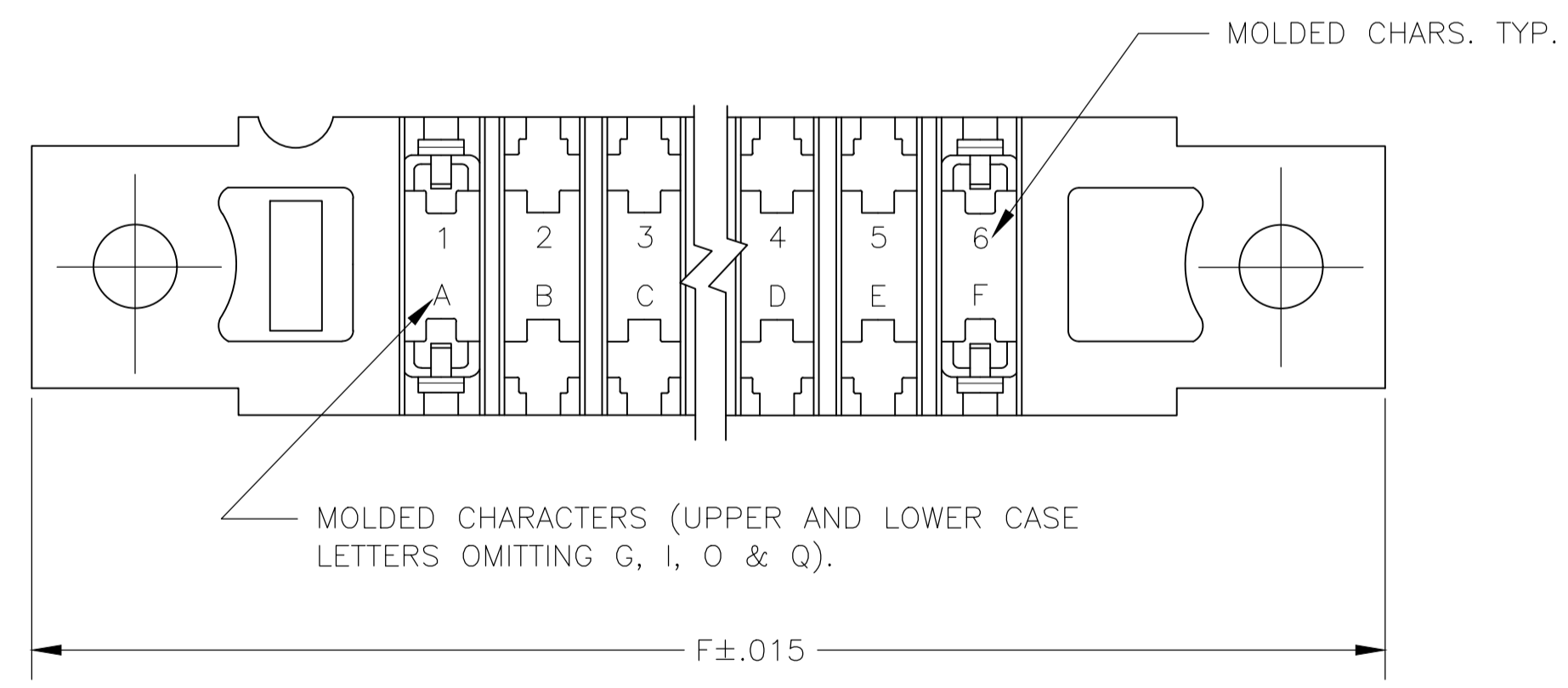
REVISIONS					
P	LTR	DESCRIPTION	DATE	DN	APVD
L2	REVISED PER	ECO-20-000170	21MAY2020	KR	JO



"AMP" PART NO & DATE CODE INK STAMPED WHITE OR HOT STAMP (NO WHITE TAPE) IN THIS AREA (SIDE OPTIONAL)



- 1 .000015 MIN GOLD OVER .000050 MIN. NICKEL IN CONTACT AREA.
- 2 .000030 MIN GOLD OVER .000050 MIN. NICKEL IN CONTACT AREA.
- 3 ALL PARTS ASSEMBLED IN MEXICO MUST BE STAMPED " ASSY IN MEXICO " THE WORD " MEXICO " CAN BE SUBSTITUTED ONLY WHERE PART SIZE PROHIBITS STAMPING " ASSY IN MEXICO ", INK STAMP COLOR WHITE OR HOT STAMP (NO WHITE TAPE) 115-9009, APPROX WHERE SHOWN SIDE OPTIONAL.
- 4 MATTE TIN PLATED CONTACT TAILS.
- 5 OBSOLETE PARTS: OBSOLETE CIS STREAMLINING PER D.RENAUD/D.SINISI



4	.437	5	8-530689-0	36	5.460	5.780	6.215	5.920	6.465	-
4	.437	5	7-530689-9	30	4.524	4.844	5.279	4.984	5.529	-
4	.370	7	530689-6	22	3.276	3.596	4.031	3.736	4.281	-
4	.370	5	7-530689-4	15	2.184	2.504	2.939	2.644	3.189	-
4	.370	5	7-530689-1	6	.780	1.100	1.535	1.240	1.785	-
	.437	3	530689-3	43	6.552	6.872	7.307	7.012	7.557	1-530689-3
	.370	3	530689-2	28	4.212	4.532	4.967	4.672	5.217	1-530689-2
	.437	3	530689-1	44	6.708	7.028	7.463	7.168	7.713	1-530689-1
	.437	3	530689-0	36	5.460	5.780	6.215	5.920	6.465	1-530689-0
	.437	5	2-530689-9	30	4.524	4.844	5.279	4.984	5.529	530689-9
	.370	2	530689-8	25	3.744	4.064	4.499	4.204	4.749	530689-8
	.370	2	530689-7	24	3.588	3.908	4.343	4.048	4.593	530689-7
	.370	2	530689-6	22	3.276	3.596	4.031	3.736	4.281	530689-6
	.370	2	530689-5	18	2.652	2.972	3.407	3.112	3.657	530689-5
	.370	5	2-530689-4	15	2.184	2.504	2.939	2.644	3.189	530689-4
	.370	2	530689-3	12	1.716	2.036	2.471	2.176	2.721	530689-3
	.370	2	530689-2	10	1.404	1.724	2.159	1.864	2.409	530689-2
	.370	2	530689-1	6	.780	1.100	1.535	1.240	1.785	530689-1
W	2	PART NO	NO.OF. POSITION	A	B	C	D	E	1	PART NO

OBSOLETE

THIS DRAWING IS A CONTROLLED DOCUMENT. DIN 15SEP75
 DIMENSIONS: INCHES. TOLERANCES UNLESS OTHERWISE SPECIFIED: 0 PLC ± .005, 1 PLC ± .005, 2 PLC ± .005, 3 PLC ± .005, 4 PLC ± .005, ANGLES ± .005.
 MATERIAL: SEE CALL-OUT. FINISH: SEE CALL-OUT. WEIGHT: 0.000000. SIZE: A1. CAGE CODE: 00779. DRAWING NO: 530689. CUSTOMER DRAWING. SCALE: 4:1. SHEET: 1 OF 1. REV: L2.

STE TE Connectivity
 HOUSING ASSY, LOW PROFILE, EDGE CONNECTOR, FLOW SOLDER, FOR .040 DIA. HOLE, .200 ROW, 156 CENTERS.

X-ON Electronics

Largest Supplier of Electrical and Electronic Components

Click to view similar products for [Standard Card Edge Connectors](#) category:

Click to view products by [TE Connectivity](#) manufacturer:

Other Similar products are found below :

[CR7E-30DB-3.96E\(72\)](#) [6364499-1](#) [6565204-6](#) [PKC-156](#) [1437274-4](#) [147889-1](#) [1489165-4](#) [EBT15622B2X](#) [1-582587-1](#) [284-0102-12100](#)
[286-0052-12101A](#) [306022901000000](#) [307-012-502-202](#) [307-056-520-300](#) [2129318-1](#) [245-062-520-350](#) [287-0032-12101](#) [306-028-525-102](#)
[307-072-526-202](#) [345-060-559-303](#) [392-008-559-201](#) [534671-1](#) [341-240-317](#) [345-044-500-300](#) [346-240-318](#) [395-100-524-300](#) [09-07-2032](#)
[10035388-802LF](#) [10115859-011LF](#) [10122859-009LF](#) [10127905-B04B24BLF](#) [530555-1](#) [5-678046-1](#) [73726-0005](#) [66308-1](#) [1-1437275-6](#)
[PEC-07-02-T-S-A](#) [346-014-520-801](#) [307-048-502-202](#) [CE100F22-9-C](#) [CE100F26-7-C](#) [CE100F28-3-D](#) [CE156F18-9-C](#) [CE156F22-5-D](#)
[CE156F22-9-C](#) [CT100F22-2-D](#) [CT100F22-3-D](#) [CT100F24-2-D](#) [CT100F24-3-D](#) [CT100F24-6-C](#)