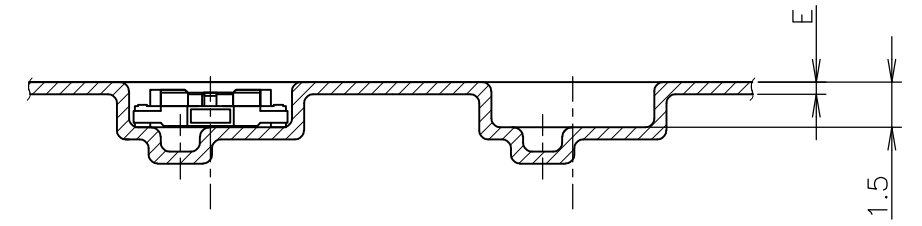
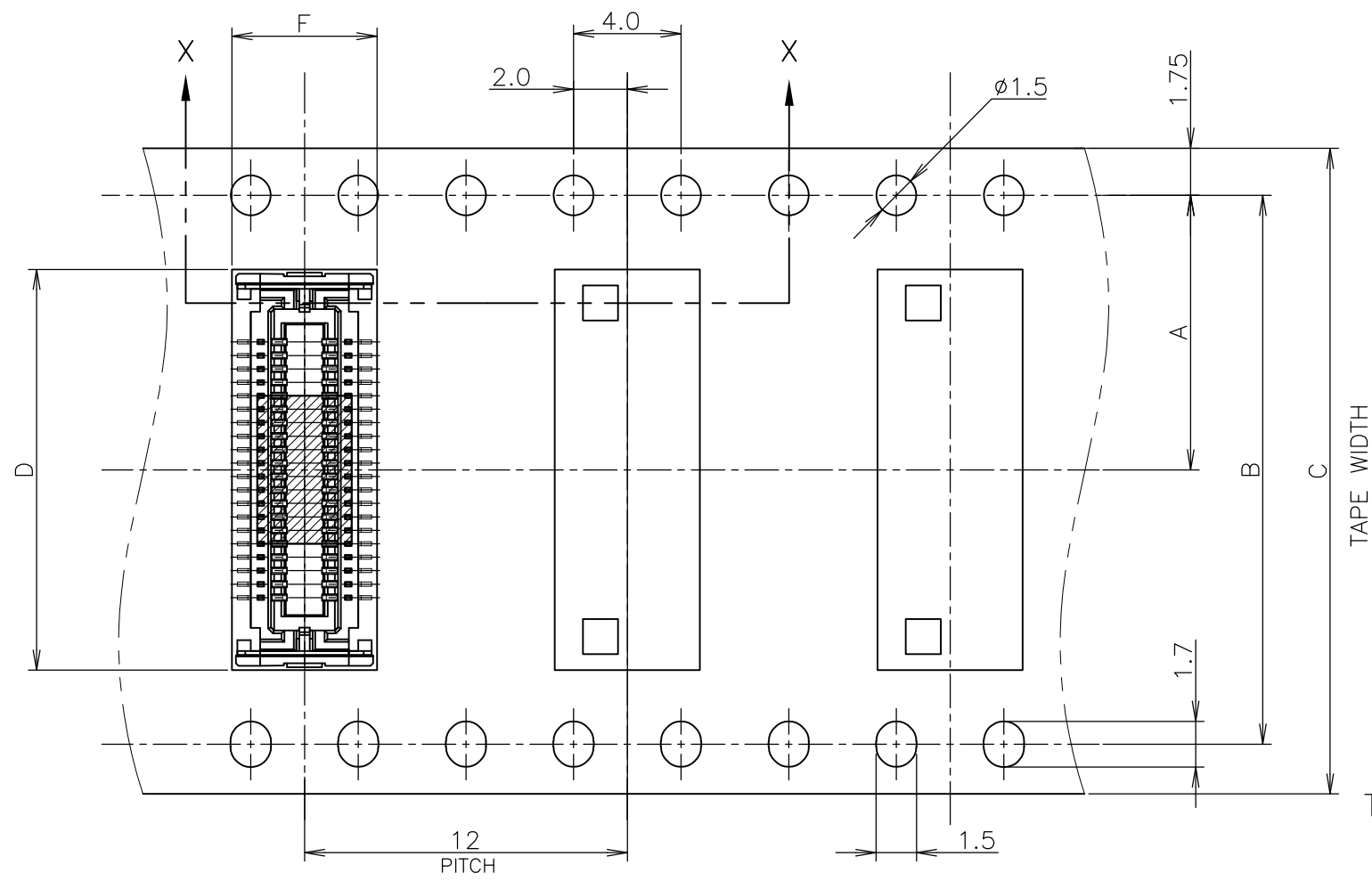


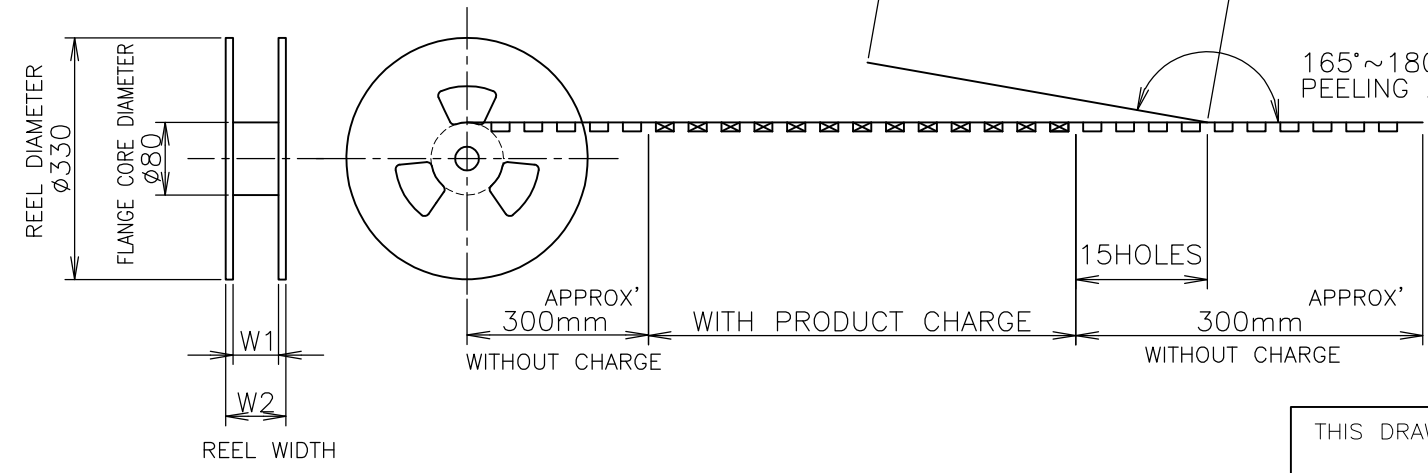
THIS DRAWING IS UNPUBLISHED. RELEASED FOR PUBLICATION JUN, 1996.
 © COPYRIGHT 1996 BY TYCO ELECTRONICS CORPORATION. ALL RIGHTS RESERVED.

LOC	DIST	REVISIONS					
J		P	LTR	DESCRIPTION	DATE	DWN	APVD
		C		REVISED ECR-08-015052	13JUN08	T.T	T.F



TOP OF REEL →

WEEDING THE COVER TAPE AROUND THE OUTER PERIPHERY IN A TURN.
 165°~180° PEELING ANGLE.



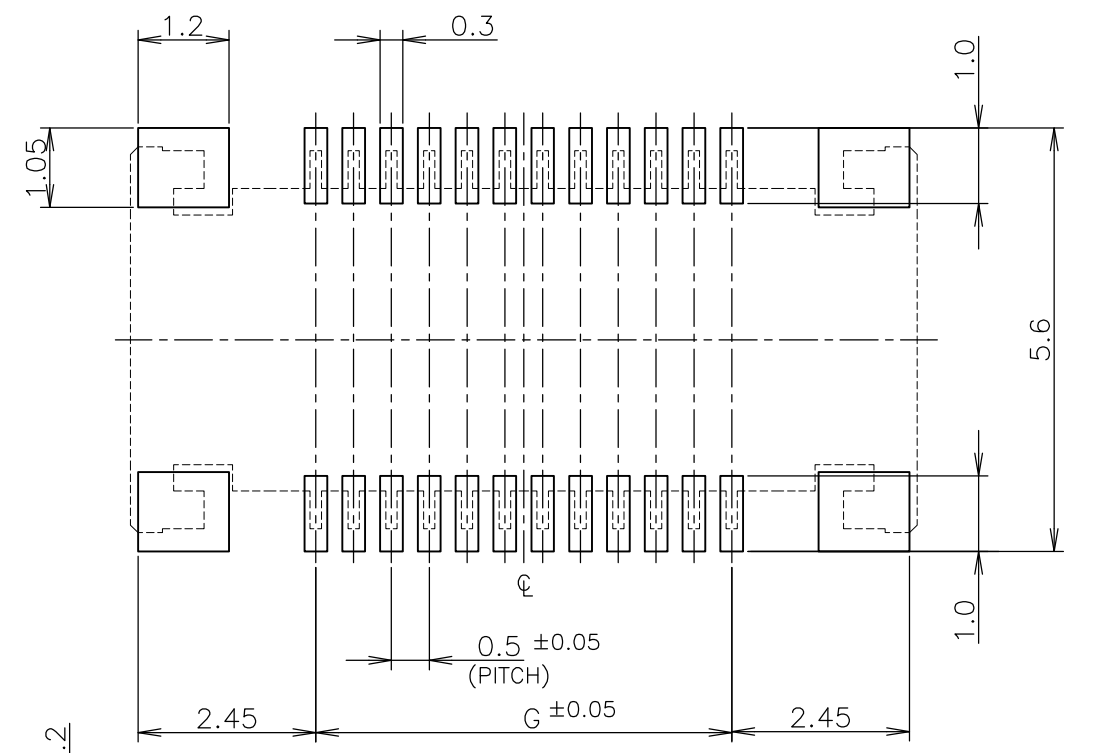
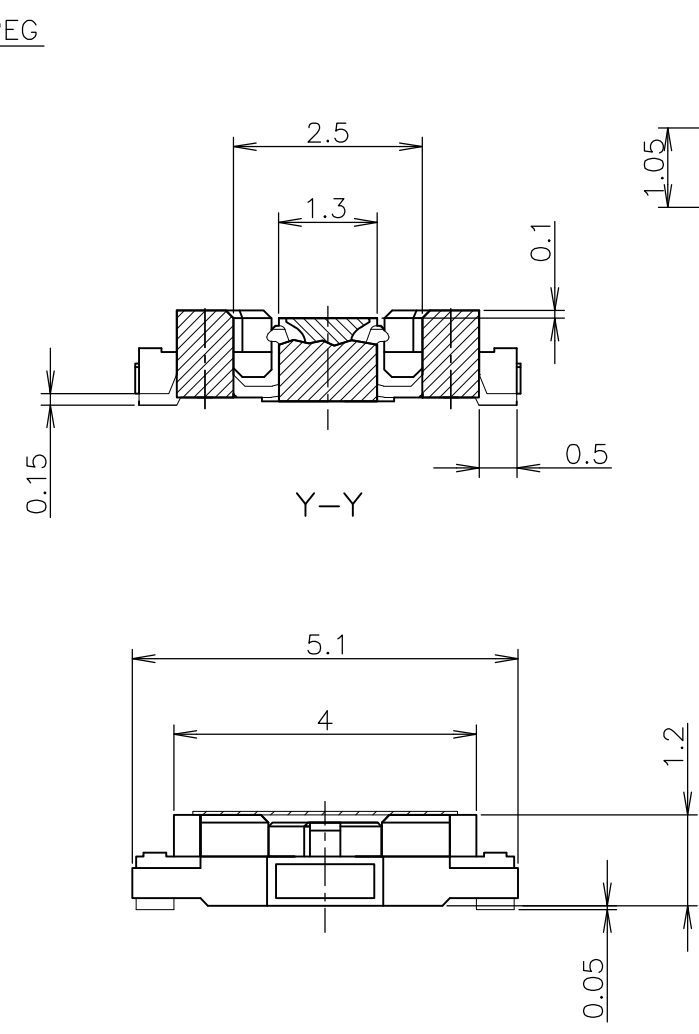
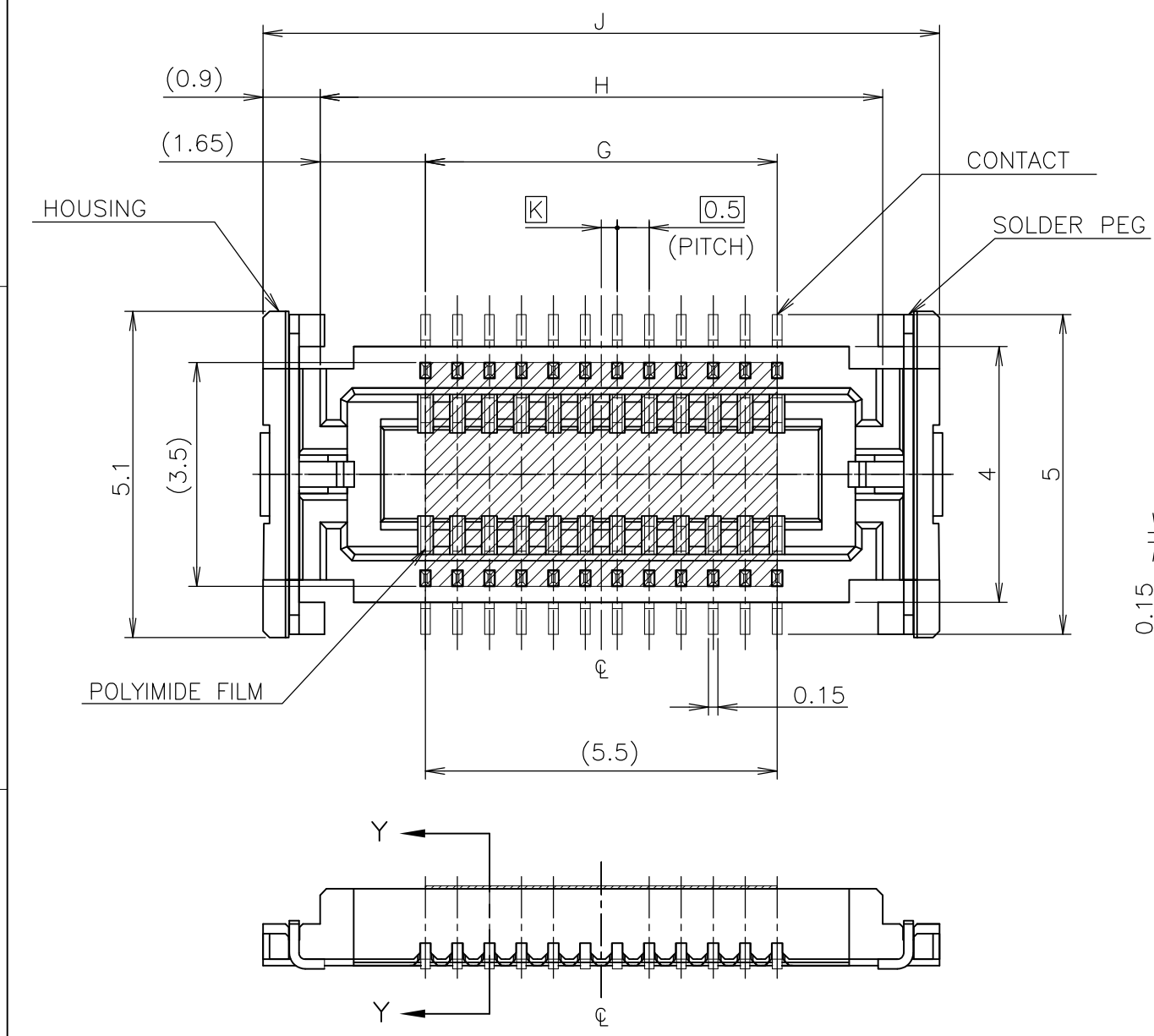
48.7	45.5	5.4	0.4	24.9	44	40.4	20.2	1500	80	8-5353159-5
48.7	45.5	5.4	0.4	24.9	44	40.4	20.2	1500	80	8-5353159-0
48.7	45.5	5.4	0.4	22.4	44	40.4	20.2	1500	70	7-5353159-5
48.7	45.5	5.4	0.4	22.4	44	40.4	20.2	1500	70	7-5353159-0
37.5	33.5	5.34	0.4	19.85	32	28.4	14.2	1500	60	6-5353159-5
37.5	33.5	5.34	0.4	19.85	32	28.4	14.2	1500	60	6-5353159-0
29.5	25.5	5.34	0.4	17.35	24	---	11.5	1500	50	5-5353159-5

INSTRUCTION SHEET
411-5781

THIS DRAWING IS A CONTROLLED DOCUMENT.		DWN J.ZHU 02NOV04	Tyco Electronics Corporation Kawasaki, Japan	
DIMENSIONS: 単位: 耗 mm		CHK S.YAO 02NOV04		
TOLERANCES UNLESS OTHERWISE SPECIFIED: 一般公差		APVD I.ENOMOTO 02NOV04	NAME 名称	
0 PLC ± 0.2		PRODUCT SPEC 製品規格 108-60048	ON TAPING EMBOSS 0.5mm PITCH FS CONN. RECEPTACLE ASSEMBLY WITH FILM	
1 PLC ± 0.2		APPLICATION SPEC 取付適用規格	SIZE	CAGE CODE
2 PLC ± 0.2		WEIGHT	A3	00779
3 PLC ± 0.2		CUSTOMER DRAWING	DRAWING NO 番号	RESTRICTED TO
4 PLC ± 0.2			G-5353159	
ANGLES ± 3'		SCALE 尺度 4:1	SHEET 1 OF 2	REV C
FINISH 仕上				

THIS DRAWING IS UNPUBLISHED. RELEASED FOR PUBLICATION JUN , 1996.
 © COPYRIGHT 1996 BY TYCO ELECTRONICS CORPORATION. ALL RIGHTS RESERVED.

LOC	DIST	REVISIONS			DATE	DWN	APVD
J		P	LTR	DESCRIPTION			
				SEE SHEET 1	-	-	-



(T=0.6 MIN.)
P.C. BOARD LAYOUT (REF.)

3	0.25	24.6	22.8	19.5	80	8-5353159-5
	0.25	24.6	22.8	19.5	80	8-5353159-0
3	---	22.1	20.3	17	70	7-5353159-5
	---	22.1	20.3	17	70	7-5353159-0
3	0.25	19.6	17.8	14.5	60	6-5353159-5
	0.25	19.6	17.8	14.5	60	6-5353159-0
	---	17.1	15.3	12.0	50	5-5353159-5

- 1 MATING COUNTER PART NUMBER: 5353163
- △ MATERIAL
HOUSING: HIGH HEAT-RESISTED
CONTACT: COPPER ALLOY (t=0.15), Au-PLT
SOLDER PEG: COPPER ALLOY (t=0.15), TIN-PLT
- △ CONTACT : CONTACT POINT Au PLT. 0.00076 MIN.

THIS DRAWING IS A CONTROLLED DOCUMENT.	
DIMENSIONS: 単位: 耗 mm	TOLERANCES UNLESS OTHERWISE SPECIFIED: 一般公差
	0 PLC ± 0.2 1 PLC ± 0.2 2 PLC ± 0.2 3 PLC ± 0.2 4 PLC ± 0.2 ANGLES ± 3'
MATERIAL 材料	FINISH 仕上

INSTRUCTION SHEET 411-5781		DWN		Tyco Electronics Corporation Kawasaki, Japan	
CHK		APVD		NAME 名称	
PRODUCT SPEC 製品規格		APPLICATION SPEC 取付適用規格		ON TAPING EMBOSS 0.5mm PITCH FS CONN. RECEPTACLE ASSEMBLY WITH FILM	
SIZE	CAGE CODE	DRAWING NO 番号	RESTRICTED TO		
A3	00779	G-5353159			
CUSTOMER DRAWING		SCALE 尺度 10:1	SHEET 2 OF 2	REV C	

X-ON Electronics

Largest Supplier of Electrical and Electronic Components

Click to view similar products for [Board to Board & Mezzanine Connectors](#) category:

Click to view products by [TE Connectivity](#) manufacturer:

Other Similar products are found below :

[589158040000018](#) [MDF7C-18P-2.54DSA\(55\)](#) [FCN-230C068-11](#) [FCN-268F012-G/BD](#) [FCN-268F036-G/BD](#) [FCN-268M012-G/0D](#) [FCN-268M024-G/1D](#) [FCN-723J004/1](#) [MIS-048-01-F-D-DP-K](#) [832-10-034-10-001000](#) [FX4C-80S-1.27DSA](#) [FCN-214Q030-G/0](#) [FCN-234P048-G/0](#) [FCN-235D050-G/C](#) [210-93-314-41-105000](#) [2-22603-0](#) [MDF7-40DP-2.54DSA\(55\)](#) [AXG720047](#) [5031084030](#) [MIT-114-03-F-D-K](#) [55323-1519](#) [DF33-2P-3.3DSA\(24\)](#) [YFT-20-05-H-03-SB-K](#) [503308-3040](#) [026-6203-PDB](#) [027-6203-PDB](#) [069159702701000](#) [10123981-102LF](#) [101A10019X](#) [55650-0588-C](#) [68684-306](#) [75140-7012](#) [194261-1](#) [FCN-268F024-G0D](#) [10124054-515LF](#) [68685-603](#) [8-1616154-3](#) [MIS-019-01-F-D](#) [541371078](#) [IL-WX-10PB-HF-B-E1000E](#) [FCN-268M024-G/3D](#) [20021832-06016C1LF](#) [KX15-20KLDL-E1000E](#) [MDF7-16DP-2.54DSA\(55\)](#) [AXE810124](#) [FCN-214J100-G/0](#) [FCN-230C068-E/S](#) [AXE812124](#) [AXE816124](#) [AXE720127](#)