

753787-1 ✓ ACTIVE

AMP | Mark II

TE Internal #: 753787-1

Mark II, Insertion & Extraction Tools, Contact Extraction, Contact-to-Housing

[View on TE.com >](#)



Application Tooling > Insertion & Extraction Tools



Insertion & Extraction Tool Type: **Contact Extraction**

Insertion & Extraction Tool Application: **Contact-to-Housing**

## Features

### Product Type Features

Insertion & Extraction Tool Type	Contact Extraction
Insertion & Extraction Tool Application	Contact-to-Housing

## Product Compliance

[For compliance documentation, visit the product page on TE.com>](#)

EU RoHS Directive 2011/65/EU	Compliant
EU ELV Directive 2000/53/EC	Out of Scope
China RoHS 2 Directive MIIT Order No 32, 2016	No Restricted Materials Above Threshold
EU REACH Regulation (EC) No. 1907/2006	Current ECHA Candidate List: JAN 2021 (211) Candidate List Declared Against: JAN 2021 (211) Does not contain REACH SVHC
Halogen Content	Not Yet Reviewed for halogen content
Solder Process Capability	Not applicable for solder process capability

### Product Compliance Disclaimer

This information is provided based on reasonable inquiry of our suppliers and represents our current actual knowledge based on the information they provided. This information is subject to change. The part numbers that TE has identified as EU RoHS compliant have a maximum concentration of 0.1% by weight in homogenous materials for lead, hexavalent chromium, mercury, PBB, PBDE, DBP, BBP, DEHP, DIBP, and 0.01% for cadmium, or qualify for an exemption to these limits as defined in the Annexes of Directive 2011/65/EU (RoHS2). Finished electrical and electronic equipment products will be CE marked as required by Directive 2011/65/EU. Components may not be CE marked. Additionally, the part numbers that TE has identified as EU ELV compliant have a maximum concentration of 0.1% by weight in homogenous materials for lead, hexavalent chromium, and mercury, and 0.01% for cadmium, or qualify for an exemption to these limits as defined in the Annexes of Directive 2000/53/EC (ELV). Regarding the REACH Regulation, the information TE provides

on SVHC in articles for this part number is based on the latest European Chemicals Agency (ECHA) 'Guidance on requirements for substances in articles' posted at this URL: <https://echa.europa.eu/guidance-documents/guidance-on-reach>

## Compatible Parts



TE Part # 172774-1  
RECP CONT MULTILOCK MIC MARKII



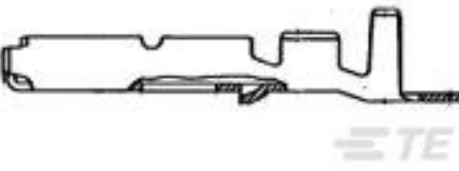
TE Part # 172774-4  
MIC MK-II LP




TE Part # 172773-2  
MIC MK-2 REC B TYPE




TE Part # 172773-4  
MIC MARK-2 REC B TYPE CONTACT



TE Part # 172773-1  
MIC MK-2 REC B TYPE



TE Part # 172774-2  
MIC MK-2 REC CONTACT LP




TE Part # 172773-5  
MIC MK-2 REC KLF-5



TE Part # 1-172773-1  
MIC MK-2 REC REVERSE REEL



TE Part # 1-172773-5  
MIC MK-2 REC CONTACT




TE Part # 172773-6  
MIC MK-2 REC CONTACT




TE Part # 172774-6  
MIC MK-2 REC CONTACT LP


## Also in the Series | Mark II



Automotive Housings(5)

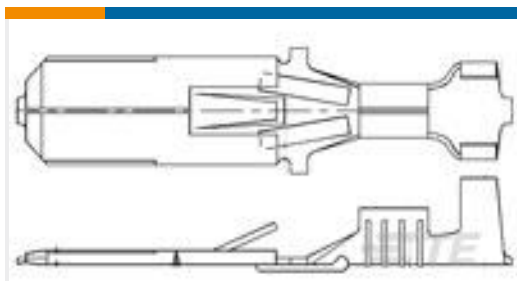


Automotive Terminals(24)



Insertion & Extraction Tools(2)

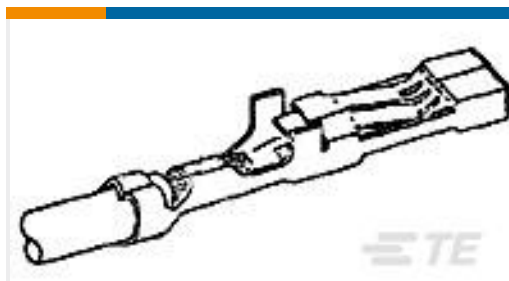
## Customers Also Bought



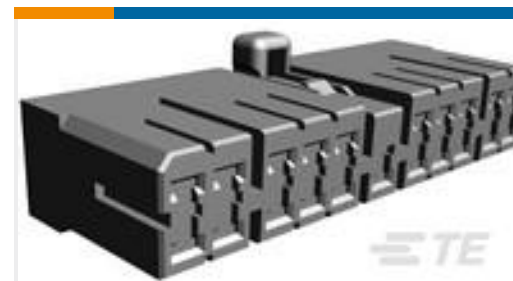
TE Part #170153-2  
FF 250 TAB 18-14AWG PTPBR LP



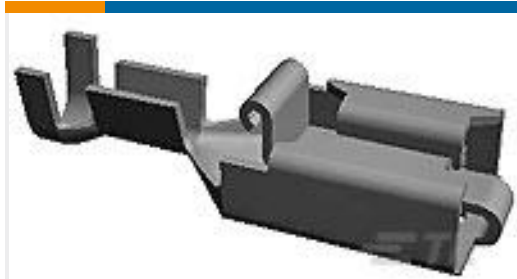
TE Part #1-316081-3  
DYNAMIC D-3200 HDR ASSY 12P H



TE Part #170289-1  
MIC REC LP



TE Part #172501-1  
MIC MARK-2 PLUG HSG 21P



TE Part #160773-6  
PL LOOSE PIECE REC 0.5-1.5 MM2  
PTPBR



TE Part #170180-2  
205 FASTON, REC., 18-14 AWG, TPBR



TE Part #1-171433-9  
FF TAB HSG 6P NYLON BLACK



TE Part #BKA186N00480200000  
923 EXTENSION, SPEEDTEC-READY



TE Part #172506-1  
MIC CAP HSG 9P MK II



TE Part #172498-1  
MIC PLUG HSG 13P (MK II)

## Documents

### Datasheets & Catalog Pages

[Crimp Term Whitepaper-Use the Right Tool 1-1773953-1](#)

English

[CRIMPING WHERE FORM MEETS FUNCTION](#)

English

[Insertion-Extraction-Tool-2345721-1](#)

English

### Instruction Sheets

[Instruction Sheet \(non U.S.\)](#)

English

[Multi-Interlock Mark II Contact From Plug & Cap HSG](#)

English

## X-ON Electronics

Largest Supplier of Electrical and Electronic Components

*Click to view similar products for [Extraction, Removal & Insertion Tools](#) category:*

*Click to view products by [TE Connectivity](#) manufacturer:*

Other Similar products are found below :

[M8196914-08](#) [768211-2](#) [809-131](#) [844751-2](#) [8-59558-2](#) [91018-1](#) [12014013](#) [12093647](#) [1-21048-0](#) [R282867020](#) [12093078](#) [1-21048-6](#)  
[12121897](#) [DCF.91.405.5LT](#) [1322](#) [15314260](#) [15350698](#) [15350707](#) [15430130](#) [1579018-4](#) [1643916-1](#) [1-679532-0](#) [1976593-3](#) [OUTEXT-0321](#)  
[2-1579008-3](#) [2-1579008-4](#) [229694-7](#) [231106-1](#) [241469](#) [91040-3](#) [91040-7](#) [965004-000](#) [965069-000](#) [1738219-1](#) [ET-JL05-16](#) [FG 0300 146](#)  
[3000](#) [FIT-6](#) [210S048](#) [2-1579007-9](#) [231879-1](#) [312138-3](#) [RJ11FODE](#) [356-162](#) [M8196914-10](#) [4-1579018-0](#) [430395-001](#) [483249-1](#) [5-](#)  
[1579007-2](#) [5-1579007-9](#) [BPR10](#)