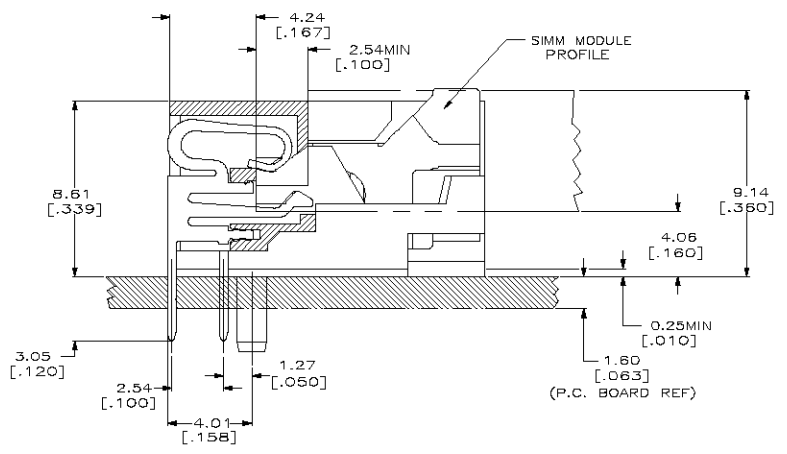
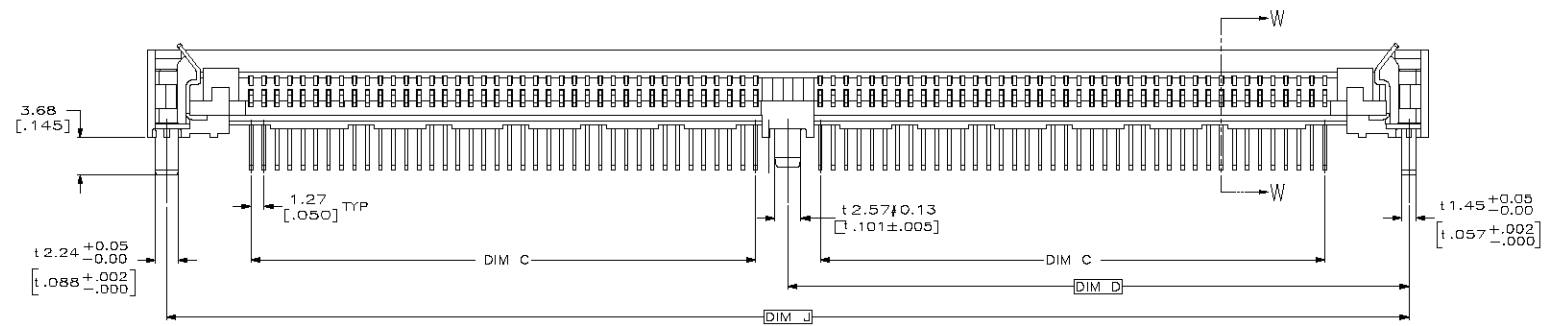
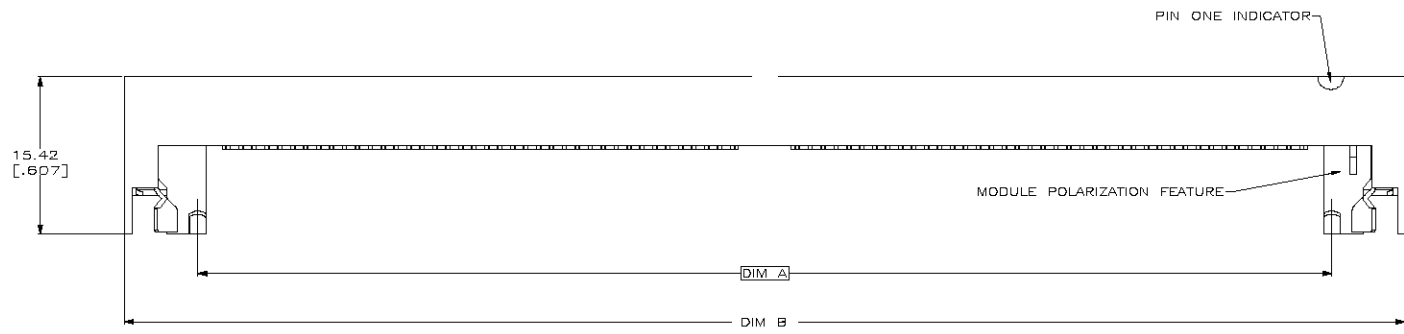


THIS DRAWING IS UNPUBLISHED.
 RELEASED FOR PUBLICATION
 BY THE ELECTRONIC CORPORATION
 ALL RIGHTS RESERVED

REVISE		REVISIONS			
NO.	DATE	DESCRIPTION	BY	CHK	APP'D
00					
0		RELEASED	ECO-05-001062	ZHANG	W.K. I.E.

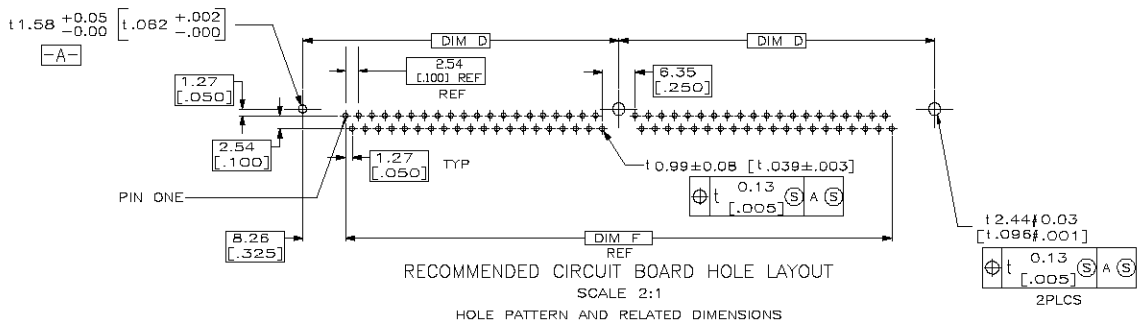


SECTION W-W
 SCALE 8:1

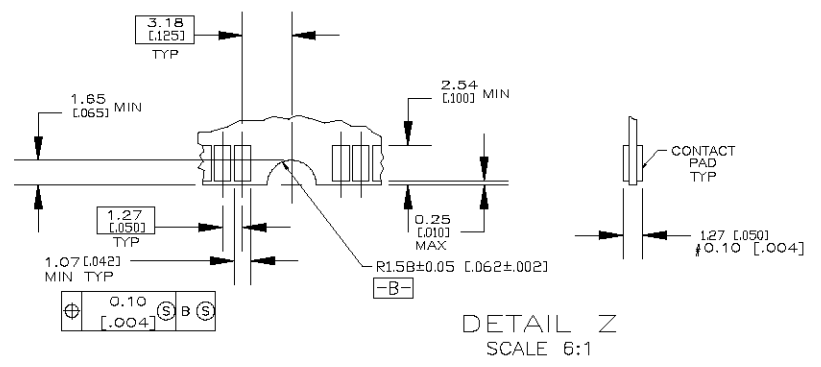
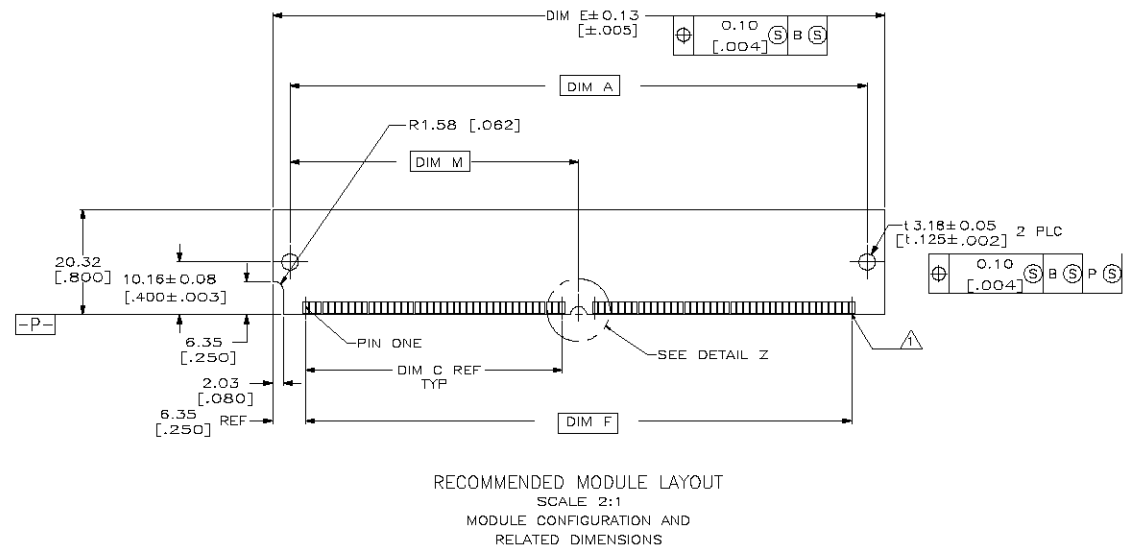
THIS DRAWING IS A CONTROLLED DOCUMENT.		DESIGNED BY	WENKE HE	DRAWN BY	CHANG	Tyco Electronics Corporation mt. jpx. ps 17992	
ENGINEER	DESIGNED BY	CHECKED BY	STEVEN YAO	DATE		SIMM II RTANG 1.27[.050] 1.27 [.050] CL ASSY 4.06[.160] HEIGHT	
HSC-Glass Reinforced Fiberglass	FINISH	DIMENSIONAL CONTROL	MATERIAL	PART NUMBER	DRAWING NO	SIZE	DATE CODE
CUSTOMER DRAWING		SIZE	A1	DRAWING NO	00779	DATE CODE	5382482
SCALE		4:1		SHEET		1 of 2	

THIS DRAWING IS UNCLASSIFIED
 RELEASED FOR PUBLICATION
 BY TYPE ELECTRONICS CORPORATION ALL RIGHTS RESERVED

REVISONS		DATE	BY	APP
GP	00			



- 1. FOR OPTIMUM PERFORMANCE, CONTACT PAD PLATING SHOULD BE SMOOTH AND FLAT. COPPER CONTACT PADS ARE TO BE OVERPLATED WITH .00127[.000050] MIN THK NICKEL FOLLOWED WITH .00254[.000100] MIN THK TIN PLATING.
- 2. 0.00381 [.000150] MIN. THK TIN OVER 0.00127 [.000050] MIN. THK NICKEL OVER ENTIRE CONTACT.



50.60 [1.992]	111.76 [4.400]	95.25 [3.750]	107.95 [4.250]	55.88 [2.200]	44.45 [1.750]	115.57 [4.550]	101.19 [3.984]	72	7-5382482-2
DIM M	DIM J	DIM F	DIM E	DIM D	DIM C	DIM B	DIM A	POSN	PART NO.

THIS DRAWING IS A CONTROLLED DOCUMENT.		DATE	BY	CHKD	APP'D	REV
		01/15/00	STEVEN YAO	LENDOMOTO		
DRAWN BY: STEVEN YAO		DATE: 01/15/00	BY: LEENDOMOTO	CHKD: [Signature]	APP'D: [Signature]	REV: 0
MATERIAL: [Blank]		SCALE: 4:1	SHEET: 2	OF: 2	REV: 0	

AMP 800 REV 31/02/00

X-ON Electronics

Largest Supplier of Electrical and Electronic Components

Click to view similar products for [SIMM Connectors](#) category:

Click to view products by [TE Connectivity](#) manufacturer:

Other Similar products are found below :

[151058-0001](#) [151130-0001](#) [78790-1001](#) [1932680-2](#) [440360-2](#) [5821950-7](#) [5821997-3](#) [5822021-4](#) [5822021-5](#) [5822030-3](#) [5822030-4](#)
[5822097-3](#) [5822134-3](#) [5822138-4](#) [5822469-4](#) [7-382483-2](#) [7-5382482-2](#) [7-5382483-2](#) [7-382486-2](#) [7-5382486-2](#) [7-5382487-2](#)