

755430-1 ✓ ACTIVE

AMP | Multilock Connector System

TE Internal #: 755430-1

Multilock Connector System, Insertion & Extraction Tools, Contact Extraction, Contact-to-Housing

[View on TE.com >](#)



Application Tooling > Insertion & Extraction Tools



Insertion & Extraction Tool Type: **Contact Extraction**

Insertion & Extraction Tool Application: **Contact-to-Housing**

Features

Product Type Features

| | |
|---|--------------------|
| Insertion & Extraction Tool Type | Contact Extraction |
| Insertion & Extraction Tool Application | Contact-to-Housing |

Product Compliance

[For compliance documentation, visit the product page on TE.com>](#)

| | |
|---|---|
| EU RoHS Directive 2011/65/EU | Compliant |
| EU ELV Directive 2000/53/EC | Out of Scope |
| China RoHS 2 Directive MIIT Order No 32, 2016 | No Restricted Materials Above Threshold |
| EU REACH Regulation (EC) No. 1907/2006 | Current ECHA Candidate List: JAN 2021 (211) Candidate List Declared Against: JAN 2021 (211) Does not contain REACH SVHC |
| Halogen Content | Not Yet Reviewed for halogen content |
| Solder Process Capability | Not applicable for solder process capability |

Product Compliance Disclaimer

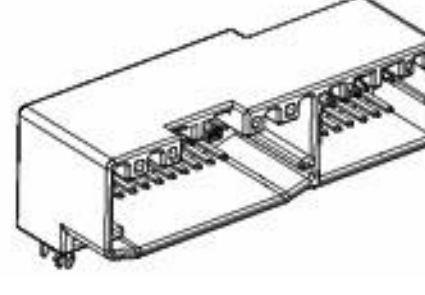
This information is provided based on reasonable inquiry of our suppliers and represents our current actual knowledge based on the information they provided. This information is subject to change. The part numbers that TE has identified as EU RoHS compliant have a maximum concentration of 0.1% by weight in homogenous materials for lead, hexavalent chromium, mercury, PBB, PBDE, DBP, BBP, DEHP, DIBP, and 0.01% for cadmium, or qualify for an exemption to these limits as defined in the Annexes of Directive 2011/65/EU (RoHS2). Finished electrical and electronic equipment products will be CE marked as required by Directive 2011/65/EU. Components may not be CE marked. Additionally, the part numbers that TE has identified as EU ELV compliant have a maximum concentration of 0.1% by weight in homogenous materials for lead, hexavalent chromium, and mercury, and 0.01% for cadmium, or qualify for an exemption to these limits as defined in the Annexes of Directive 2000/53/EC (ELV). Regarding the REACH Regulation, the information TE provides

on SVHC in articles for this part number is based on the latest European Chemicals Agency (ECHA) 'Guidance on requirements for substances in articles' posted at this URL: <https://echa.europa.eu/guidance-documents/guidance-on-reach>

Compatible Parts



TE Part # CAT-M9194-T273
MULTILOCK, RECEPTACLE AND TAB



TE Part # 9-1438789-2
38way Hybrid .040/2.8 Header Assy



TE Part # 1438759-2
22Way Hybrid 040/2.8 Plug Assy Key "C"




TE Part # 175062-2
040 MULTILOCK REC CONT. L/P



TE Part # 175061-2
040 HDIO REC CONTACT GOLD L/P




TE Part # 173681-3
040 MULTILOCK REC CONT BLANK




TE Part # 173681-4
040 MULTILOCK REC CONT GOLD




TE Part # 173716-3
040 HDIO REC CONT BLANK OUT AU




TE Part # 173716-4
040 HDIO REC CONT BLANK OUT



TE Part # 173716-5
040 HDIO REC CONT AS



TE Part # 175180-3
040 MLC REC CONT GOLD PLATING



TE Part # 175180-4
040 MULTILOCK REC CONT BLANK



TE Part # 345164-2
040 SERIES TAB, R.R.



TE Part # 173681-6
040 RCPT NON SEALED TIN

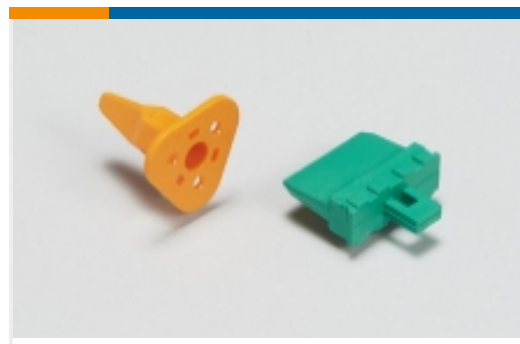
Also in the Series | **Multilock Connector System**



Automotive Connector Caps & Covers (16)



Automotive Connector EMC Shielding (1)



Automotive Connector Locks & Position Assurance(2)



Automotive Headers(138)



Automotive Housings(576)



Automotive Seals & Cavity Plugs(2)



Automotive Terminals(142)

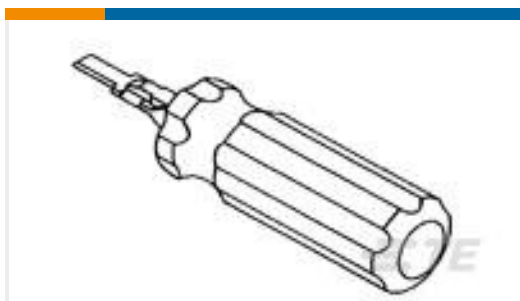


Insertion & Extraction Tools(6)



Other Automotive Connector Accessories(9)

Customers Also Bought



TE Part #1276565-1
EXTRACTION TOOL FOR .025 REC



TE Part #1618387-5
LEV200A4NAF=RELAY, SPST-NO



TE Part #1-1414122-0
V23136J1004X050-EV-CBOX



TE Part #11026276-00
FLDT1-028K W/MALE CONNE



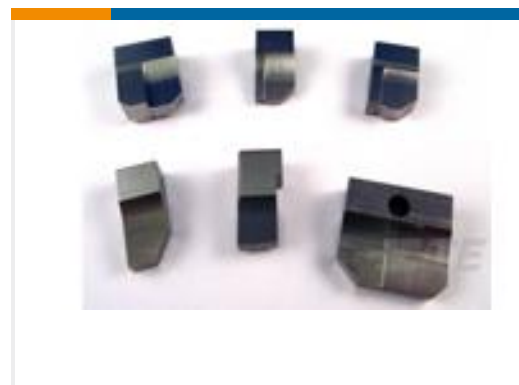
TE Part #EEC-325X4B
ENCLOSURE, 3.25 X 4, BLK, NO VENT



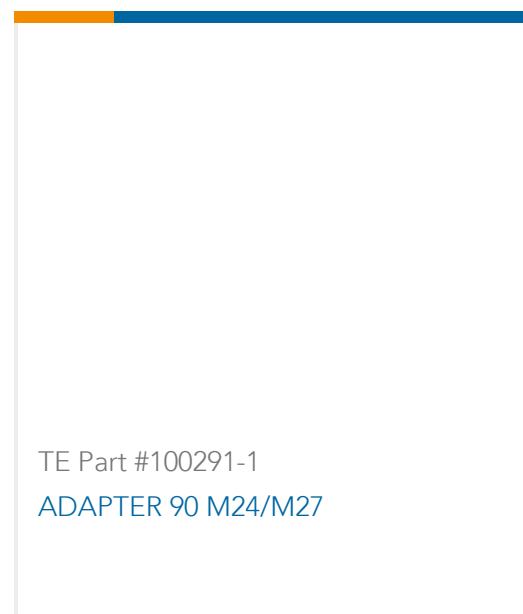
TE Part #1563689-1
4POS,AMP MCP1.5K,REC HSG,ASSY



TE Part #1-968968-2
2,5MM BU-GEH ASSY3P



TE Part #1333206-8
ANVIL, COMBINATION (.100)



Documents

Datasheets & Catalog Pages

[Crimp Term Whitepaper-Use the Right Tool 1-1773953-1](#)

English

[CRIMPING WHERE FORM MEETS FUNCTION](#)

English

[Insertion-Extraction-Tool-2345721-1](#)

English

Instruction Sheets

[Instruction Sheet \(non U.S.\)](#)

English

[AMP EXTRACTION TOOL P/N 755430-1 FOR EXTRACTING 040 SERIES CONTACT](#)

English

X-ON Electronics

Largest Supplier of Electrical and Electronic Components

Click to view similar products for [Extraction, Removal & Insertion Tools](#) category:

Click to view products by [TE Connectivity](#) manufacturer:

Other Similar products are found below :

[M8196914-08](#) [768211-2](#) [809-131](#) [844751-2](#) [8-59558-2](#) [91018-1](#) [12014013](#) [12093647](#) [1-21048-0](#) [R282867020](#) [12093078](#) [1-21048-6](#)
[12121897](#) [DCF.91.405.5LT](#) [1322](#) [15314260](#) [15350698](#) [15350707](#) [15430130](#) [1579018-4](#) [1643916-1](#) [1-679532-0](#) [1976593-3](#) [OUTEXT-0321](#)
[2-1579008-3](#) [2-1579008-4](#) [229694-7](#) [231106-1](#) [241469](#) [91040-3](#) [91040-7](#) [965004-000](#) [965069-000](#) [1738219-1](#) [ET-JL05-16](#) [FG 0300 146](#)
[3000](#) [FIT-6](#) [210S048](#) [2-1579007-9](#) [231879-1](#) [312138-3](#) [RJ11FODE](#) [356-162](#) [M8196914-10](#) [4-1579018-0](#) [430395-001](#) [483249-1](#) [5-](#)
[1579007-2](#) [5-1579007-9](#) [BPR10](#)