

NOTES:

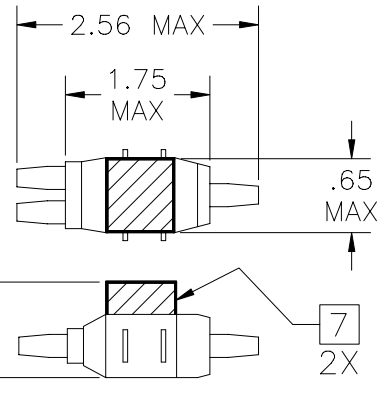
1. RAYCHEM CABLE: 10595-24-9

2. WEIGHT:

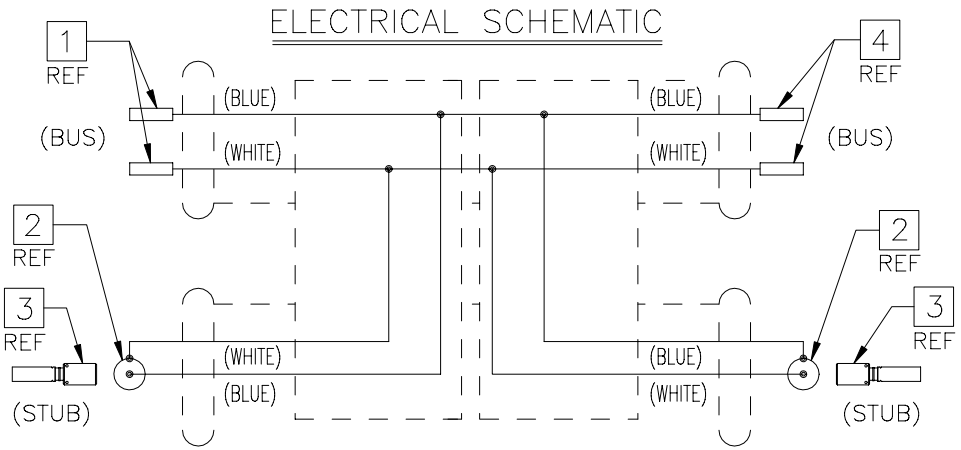
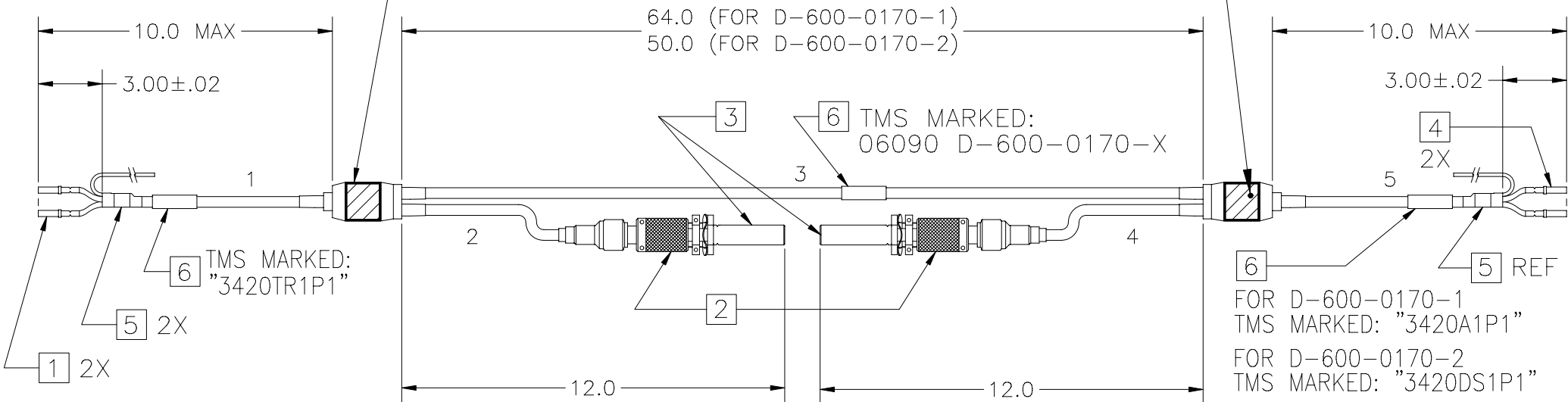
D-600-0170-1 .313 lbs. [142 g] APPROX.

D-600-0170-2 .295 lbs. [134 g] APPROX.

REVISIONS			
LTR	DESCRIPTION	DATE	APPROVED
F	REVISED PER DCR NO. T-29138	6/6/01	GMR



PWB COUPLER WITHOUT COUPLING TRANSFORMER, 2X



COMPONENTS FOR D-600-0170-1 AND D-600-0170-2			
ITEM	QTY	COMPONENT	DESCRIPTION
1	2	M39029/57-354	CONTACT, CRIMP
2	2	DK-621-0411-P	CONNECTOR, PLUG WITH PIN CONTACT
3	2	D-621-0485	TERMINATOR JACK, 200 OHMS
4	2	M39029/57-357	CONTACT, CRIMP, SKT
5	2	S02-08-R	SHIELD TERMINATOR
6	3	TMS-SCE-3/8-2.0-4	TMS MARKER, YELLOW
7	2	-----	COUPLER MOUNTING BLOCK

SPECIFICATION CONTROL DRAWING

UNLESS OTHERWISE SPECIFIED DIMENSIONS ARE IN INCHES. METRIC DIMENSIONS ARE IN BRACKETS.	DRAWN	J.B.K.	92 MAR 30	tyco / Electronics / Raychem WIRE AND HARNESSING PRODUCTS 307 CONSTITUTION DRIVE MENLO PARK, CALIFORNIA 94025		
	CHECKED					
	APPROVED					
	APPROVED	Z.TEMAN	92 OCT 15			
ALL CABLE LENGTHS: +1.00 -0.00	CAD NAME	T29138		TITLE BELL WEATHER RADAR BUS		
WEIGHT	THIRD ANGLE PROJECTION	SIZE	CODE	IDENT. NO.	DWG. NO.	REV
△	⊕	A	06090	D-600-0170-1/-2	F	1
DO NOT SCALE THIS DRAWING					SHEET 1 OF 1	

X-ON Electronics

Largest Supplier of Electrical and Electronic Components

Click to view similar products for [Specialised Cables category](#):

Click to view products by [TE Connectivity manufacturer](#):

Other Similar products are found below :

[603PT6](#) [603SS6L](#) [604PT6](#) [604SS6](#) [706000D02F200](#) [910640](#) [1200740077](#) [1200740114](#) [AC172](#) [ACL-SSI-4](#) [R88ACAKA0015SRE](#)
[R88ACAWL005SDE](#) [R88ACRGD0R3C](#) [1300150047](#) [1300660036](#) [1302262116](#) [1300150149](#) [1300220020](#) [1300220104](#) [1300220119](#)
[1301240492](#) [1301810221](#) [1365323-1](#) [1613055](#) [176P12](#) [1971465-2](#) [20240400003](#) [20240400013](#) [2085828-1](#) [20886510030](#) [2-22733-8](#) [22733-](#)
[8](#) [CB-5PSBC-RS](#) [CB-704EC-RS](#) [CB-BATACC-RS](#) [CB-JST3PSW-RS](#) [CB-M12COM-R10](#) [25AC84](#) [25AK84X](#) [25AU25](#) [25FN82](#) [3011-03](#)
[AC118](#) [ACL-HHS-1M\(CAT5E\)](#) [SSL009PC2DC012N](#) [FC2A-KC6C](#) [2085828-2](#) [20886510150](#) [CCS-FCB-5](#) [CCSFCBF2](#)