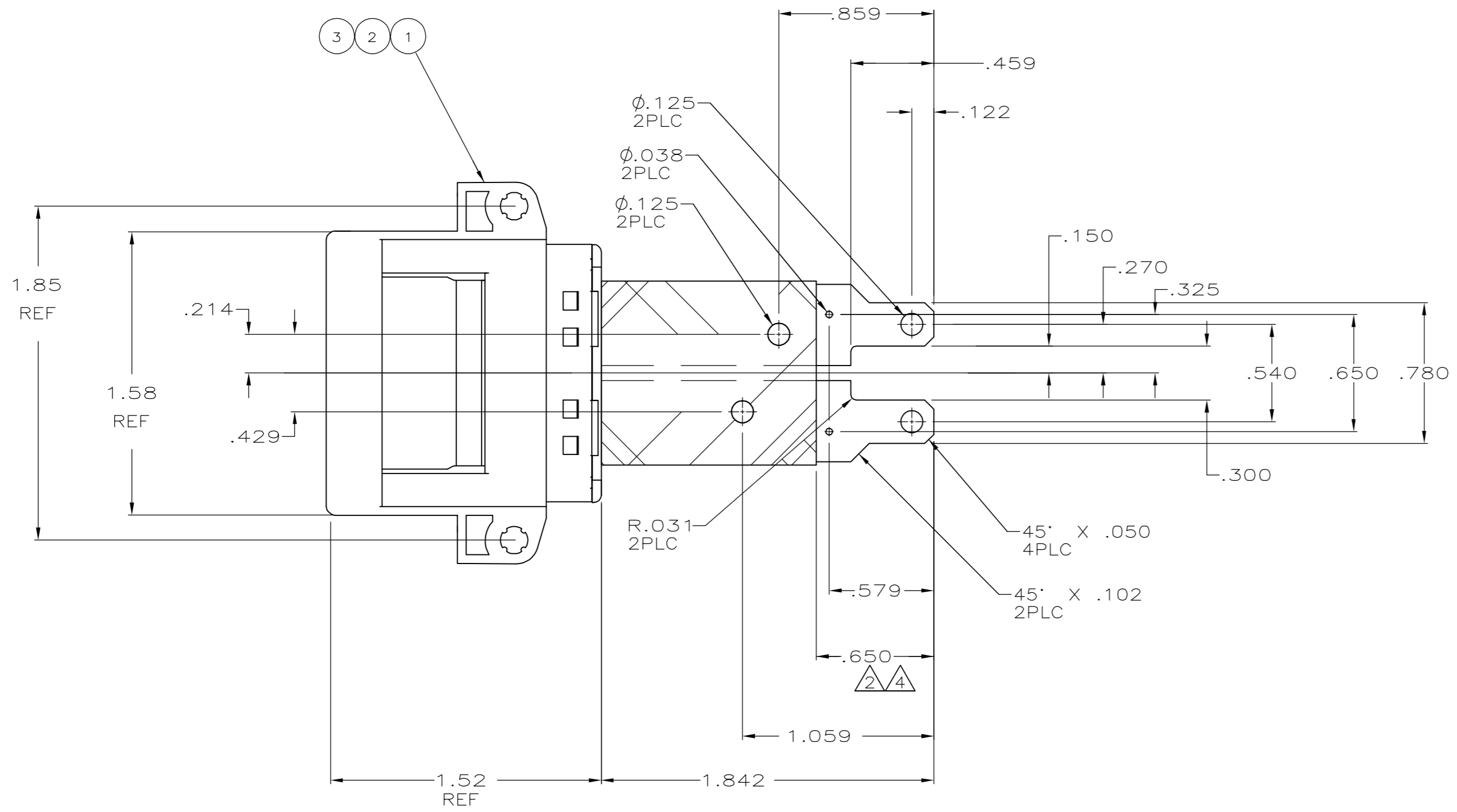
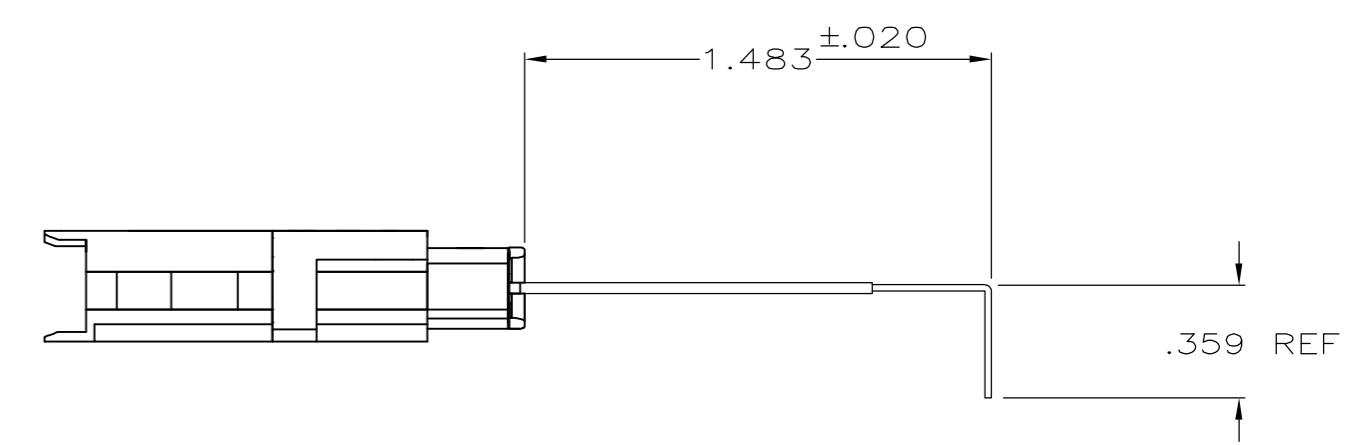


THIS DRAWING IS UNPUBLISHED. RELEASED FOR PUBLICATION  
 © COPYRIGHT BY TYCO ELECTRONICS CORPORATION. ALL RIGHTS RESERVED.

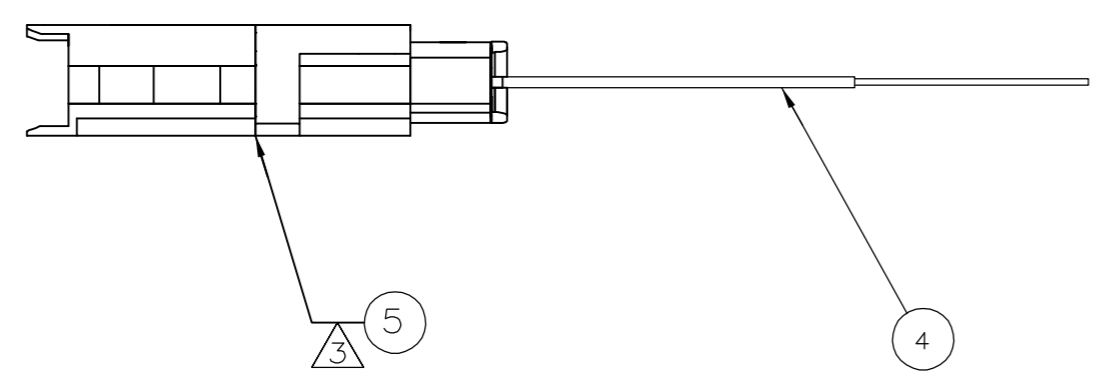
LOC	DIST	REVISIONS			
P	LTR	DESCRIPTION	DATE	DWN	APVD
GP	00				
	A	REVISE PER 06-019072 ECO	18/AUG/06	ECC	JS



- CABLE LENGTH TOLERANCE = 0.2% OF TOTAL CABLE LENGTH, WITH A MINIMUM TOLERANCE OF ±3.18 [.125].  
 I.E. 6096 [240.0] \* .002 = ± 12.2 [.480]
- INSULATION REMOVED IN THIS AREA.
- LABEL APPROX. WHERE SHOWN PER AMP 2480.0903.MPI.
- NO SOLDER ON STRIPPED CABLE END



BEND DETAIL



QTY	DESCRIPTION	ITEM NO
1	LABEL, WHITE, POLYESTER	5
-	2.65" CABLE, .020 SPLIT, TEFZ, BLU	4
1	TRANS ASSY, CONTACT	3
1	STRAIN RELIEF	2
1	HOUSING, RECPT, W/FLANGE	1
-1	CABLE LENGTH	

THIS DRAWING IS A CONTROLLED DOCUMENT.		DWN	J.C.BAKER	15-NOV-00	 Tyco Electronics Corporation Harrisburg, PA 17105-3608
DIMENSIONS: INCHES		CHK	L.MAROLF	15-NOV-00	
TOLERANCES UNLESS OTHERWISE SPECIFIED:		APVD	L.MAROLF	15-NOV-00	
0 PLC ± - 1 PLC ± .1 2 PLC ± .01 3 PLC ± .005 4 PLC ± - ANGLES ± - FINISH -		PRODUCT SPEC			
MATERIAL		APPLICATION SPEC	114-49005	WEIGHT	-
		CUSTOMER DRAWING	SCALE	2:1	SHEET
			A2	00779	C=766492
			SIZE	CAGE CODE	DRAWING NO
					RESTRICTED TO
					-
					REV
					A

766492

## X-ON Electronics

Largest Supplier of Electrical and Electronic Components

*Click to view similar products for [DC Power Cords](#) category:*

*Click to view products by [TE Connectivity](#) manufacturer:*

Other Similar products are found below :

[172-4000](#) [172-4101](#) [172-7443-E](#) [21033836407](#) [2J-1865A](#) [2R7006A20A120](#) [426055400-3](#) [MN47A4BC01M010](#) [H-OU-2](#) [CA0002](#)  
[420680840-3](#) [426451500-3](#) [P162PT4-36](#) [1-832692-4](#) [FJ-VSP 3M](#) [96CB-POWER-B-1.8M2](#) [426040200](#) [CA0006](#) [H-OU-27](#) [1700019464](#) [FJ-](#)  
[VSP 10M](#) [MN47B4BC01M040](#) [H-OU-20](#) [2-836917-8](#) [867566-1](#) [804001P03M050G](#) [2050KH1-BK](#) [426013710-3](#) [58257-1069](#) [216603-0037](#)  
[1011147](#) [1011324](#) [1012028](#) [862545-5](#) [BXC-10567](#) [172-2555](#) [32102-022800-200-RS](#) [P29000-M2](#) [P29004-M2](#) [DC.CAB.0201.0150](#)  
[DC.CAB.0301.0150](#) [DC.CAB.0610.0150](#) [DC.CAB.0700.0150](#) [DC.CAB.1000.0300](#) [DC.CAB.1100.0150](#) [DC.CAB.1400.0150](#)  
[DC.CAB.1410.0150](#) [DC.CAB.1500.0150](#) [DC.CAB.1811.0150](#) [DC.CAB.1900.0150](#)