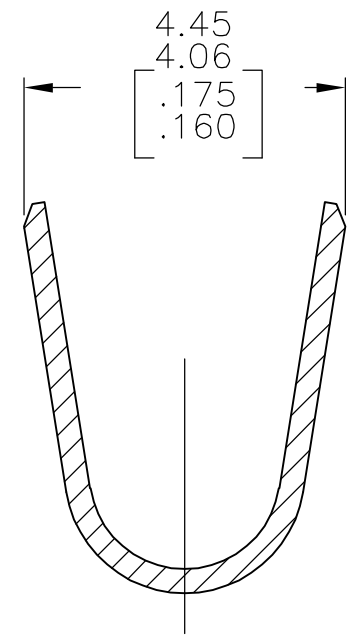
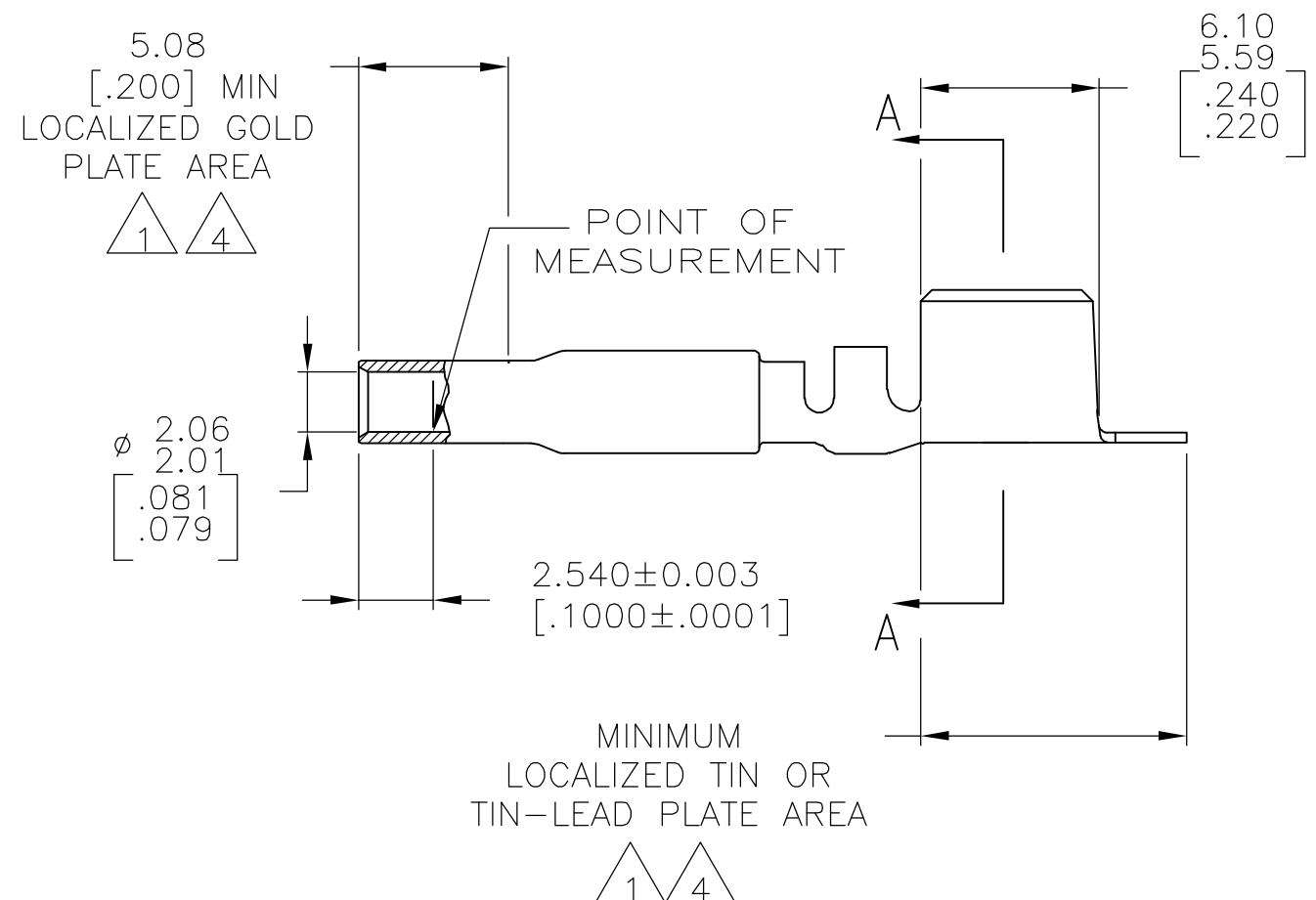
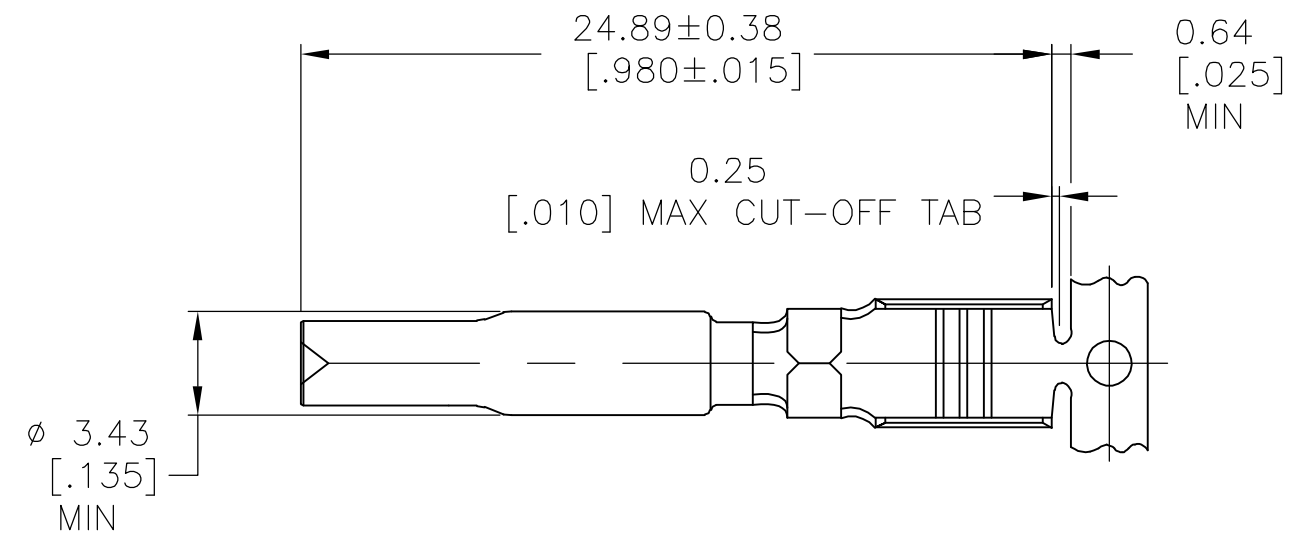


THIS DRAWING IS UNPUBLISHED. RELEASED FOR PUBLICATION
 © COPYRIGHT BY TYCO ELECTRONICS CORPORATION. ALL RIGHTS RESERVED.

| LOC | DIST | REVISIONS | | | |
|-----|------|-------------|-----------------|---------|---------|
| P | LTR | DESCRIPTION | DATE | DWN | APVD |
| CM | 00 | G | EC 0G3B 0215 05 | 20SEP05 | BSV RCJ |

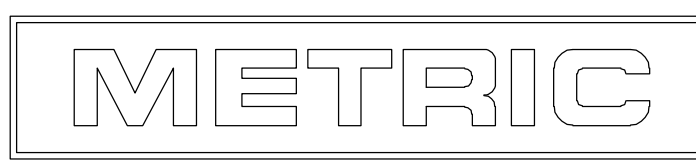


SECTION A-A
SCALE 10:1

1. 0.00076[.000030] MIN GOLD AT POINT OF MEASUREMENT IN THE LOCALIZED GOLD PLATE AREA, 0.00127[.000050] MIN TIN-LEAD IN TIN-LEAD PLATE AREA, 0.00127[.000050] MIN NICKEL UNDERPLATE ON ENTIRE CONTACT.
2. WIRE RANGE: 3-6mm² [12-10 AWG].
3. DIMENSIONS IN BRACKETS ARE IN INCHES.
4. 0.00076[.000030] MIN GOLD AT POINT OF MEASUREMENT IN THE LOCALIZED GOLD PLATE AREA, 0.00127[.000050] MIN TIN IN TIN PLATE AREA, 0.00127[.000050] MIN NICKEL UNDERPLATE ON ENTIRE CONTACT.
5. THIS CONTACT HAS NO INSULATION BARREL.

| FINISH | MATERIAL | PART NUMBER |
|---------------|--------------------|-------------|
| GOLD Δ | 0.30 [.012] PH BRZ | 1-770004-0 |
| GOLD Δ | 0.30 [.012] PH BRZ | 770004-4 |
| PRE-TIN | 0.30 [.012] PH BRZ | 770004-3 |

| | | | | | | | | | | | | | | | | | | |
|---|-----|-------------------------------|---|--------------------|-----|-------|-----|-------|-----|-------|-----|--------|-----|--------|---|-------------------|-------------------------------------|--|
| THIS DRAWING IS A CONTROLLED DOCUMENT. | | DWN K. WHITAKER 02APR04 | Tyco Electronics Corporation Harrisburg, PA 17105-3608 | | | | | | | | | | | | | | | |
| DIMENSIONS: mm [INCHES] | | CHK C. JONES 02APR04 | | | | | | | | | | | | | | | | |
| TOLERANCES UNLESS OTHERWISE SPECIFIED: | | APVD C. JONES 02APR04 | NAME - | | | | | | | | | | | | | | | |
| <table border="0"> <tr><td>0 PLC</td><td>± -</td></tr> <tr><td>1 PLC</td><td>± -</td></tr> <tr><td>2 PLC</td><td>± -</td></tr> <tr><td>3 PLC</td><td>± -</td></tr> <tr><td>4 PLC</td><td>± -</td></tr> <tr><td>ANGLES</td><td>± -</td></tr> <tr><td>FINISH</td><td>-</td></tr> </table> | | 0 PLC | ± - | 1 PLC | ± - | 2 PLC | ± - | 3 PLC | ± - | 4 PLC | ± - | ANGLES | ± - | FINISH | - | PRODUCT SPEC - | SOCKET, UNIVERSAL MATE-N-LOK(TM) II | |
| 0 PLC | ± - | | | | | | | | | | | | | | | | | |
| 1 PLC | ± - | | | | | | | | | | | | | | | | | |
| 2 PLC | ± - | | | | | | | | | | | | | | | | | |
| 3 PLC | ± - | | | | | | | | | | | | | | | | | |
| 4 PLC | ± - | | | | | | | | | | | | | | | | | |
| ANGLES | ± - | | | | | | | | | | | | | | | | | |
| FINISH | - | | | | | | | | | | | | | | | | | |
| MATERIAL - | | APPLICATION SPEC - | SIZE A2 | CAGE CODE 00779 | | | | | | | | | | | | | | |
| - | | WEIGHT - | DRAWING NO C=770004 | RESTRICTED TO - | | | | | | | | | | | | | | |
| CUSTOMER DRAWING | | | SCALE 4:1 | SHEET 1 of 1 | | | | | | | | | | | | | | |
| | | | REV G | | | | | | | | | | | | | | | |



770004

X-ON Electronics

Largest Supplier of Electrical and Electronic Components

Click to view similar products for [Pin & Socket Connectors](#) category:

Click to view products by [TE Connectivity](#) manufacturer:

Other Similar products are found below :

[6450822-1](#) [770392-1](#) [794042-1](#) [796885-1](#) [8-794535-1](#) [PLR3455ACS-222](#) [R929991004](#) [R929993003](#) [1403611-1](#) [1-480349-5](#) [152302-5](#)
[153211-2](#) [1586092-1](#) [1586129-1](#) [1586681-4](#) [1586700-1](#) [1586368-1](#) [1586380-1](#) [1586616-1](#) [1586680-5](#) [16-06-0038](#) [164164-5](#) [1-6609930-1](#)
[172296-1](#) [19-09-2035](#) [200503-1](#) [200788-2](#) [2029090-4](#) [2029095-4](#) [925061-7](#) [293734-4](#) [293737-2](#) [1-765362-4](#) [1-794606-3](#) [1871534-1](#)
[200833-4](#) [2008625-2](#) [2029027-2](#) [2029096-4](#) [R929991000](#) [R929991002](#) [R929993000](#) [319-10-101-00-005000](#) [319-10-102-00-001000](#)
[319-10-104-00-001000](#) [319-10-105-00-001000](#) [319-10-108-00-001000](#) [319-10-112-00-006000](#) [39-01-8019](#) [319-10-101-00-001000](#)