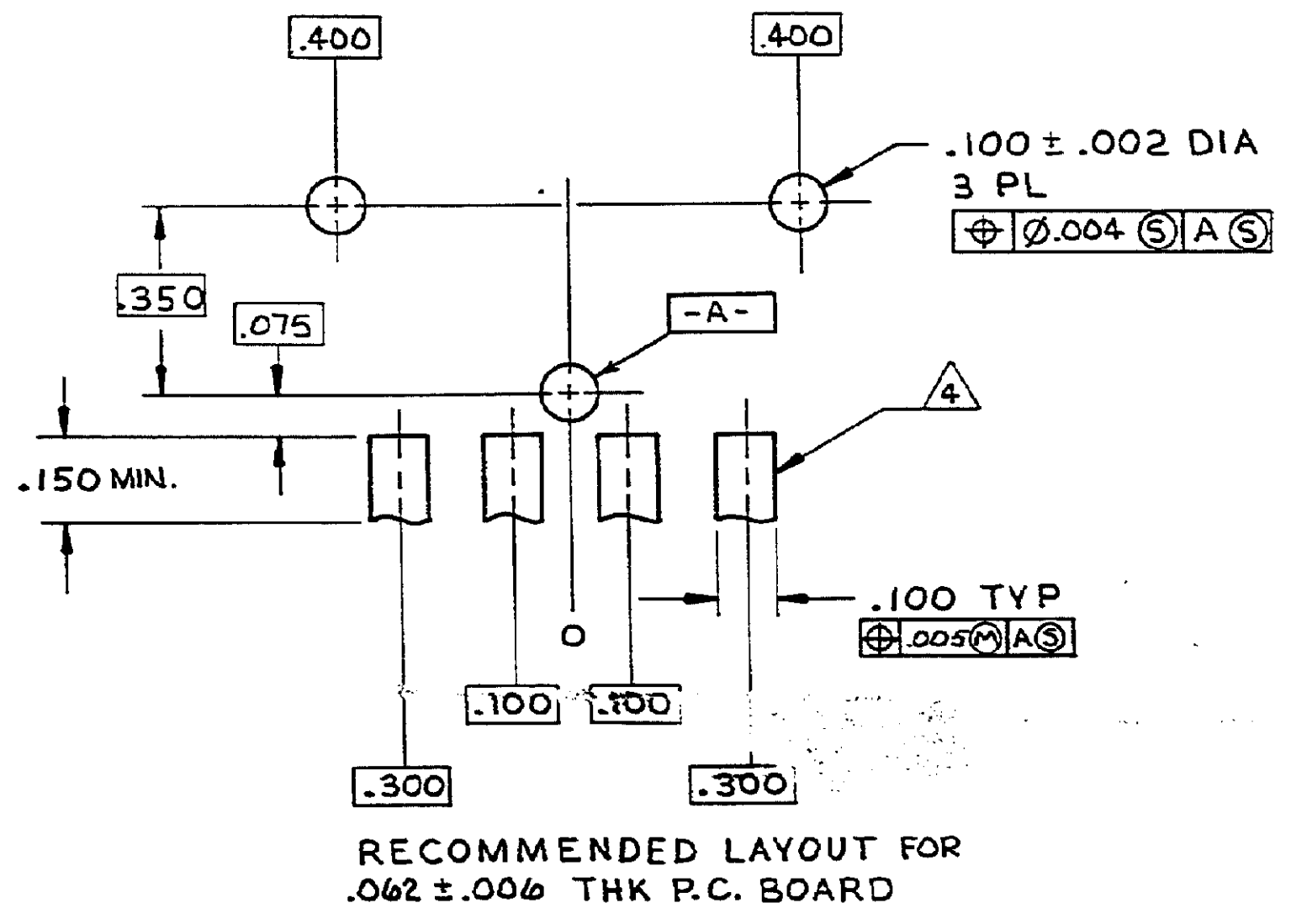
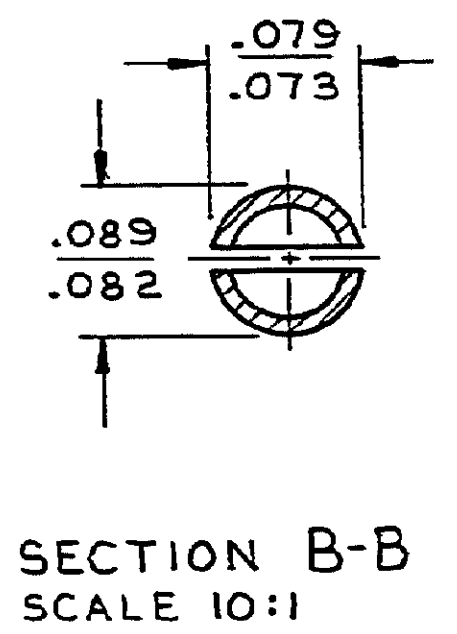
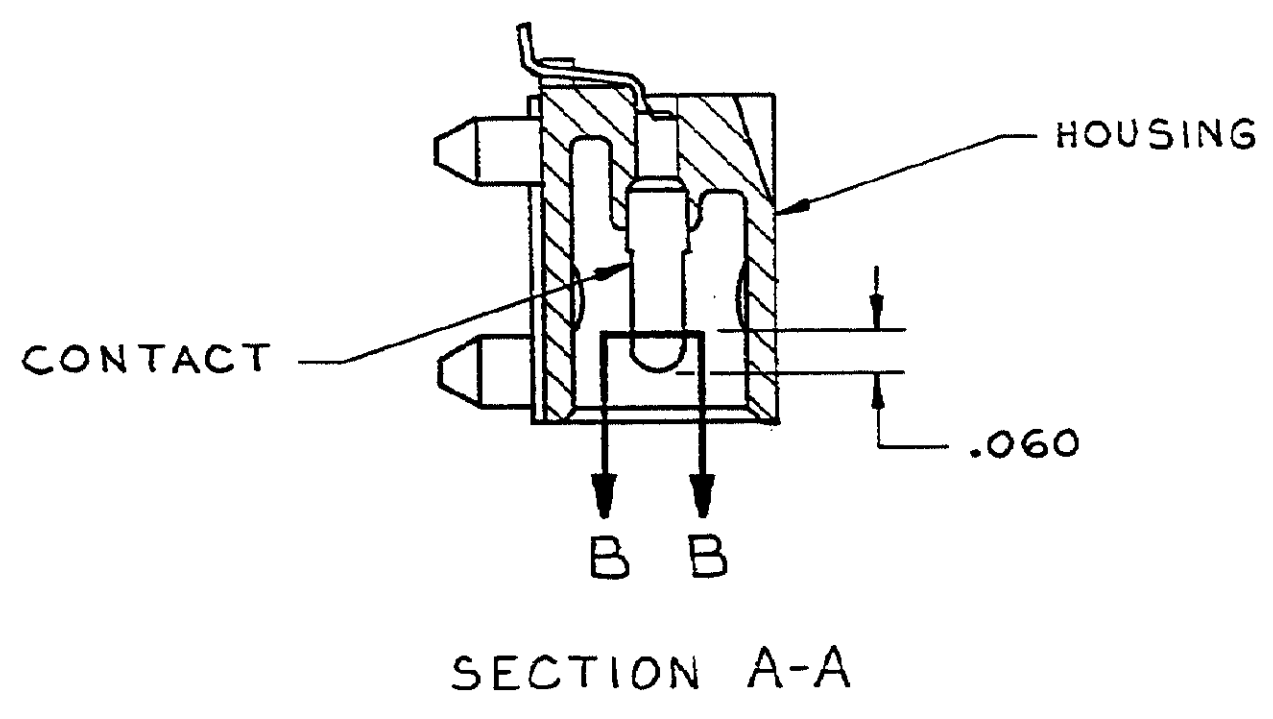
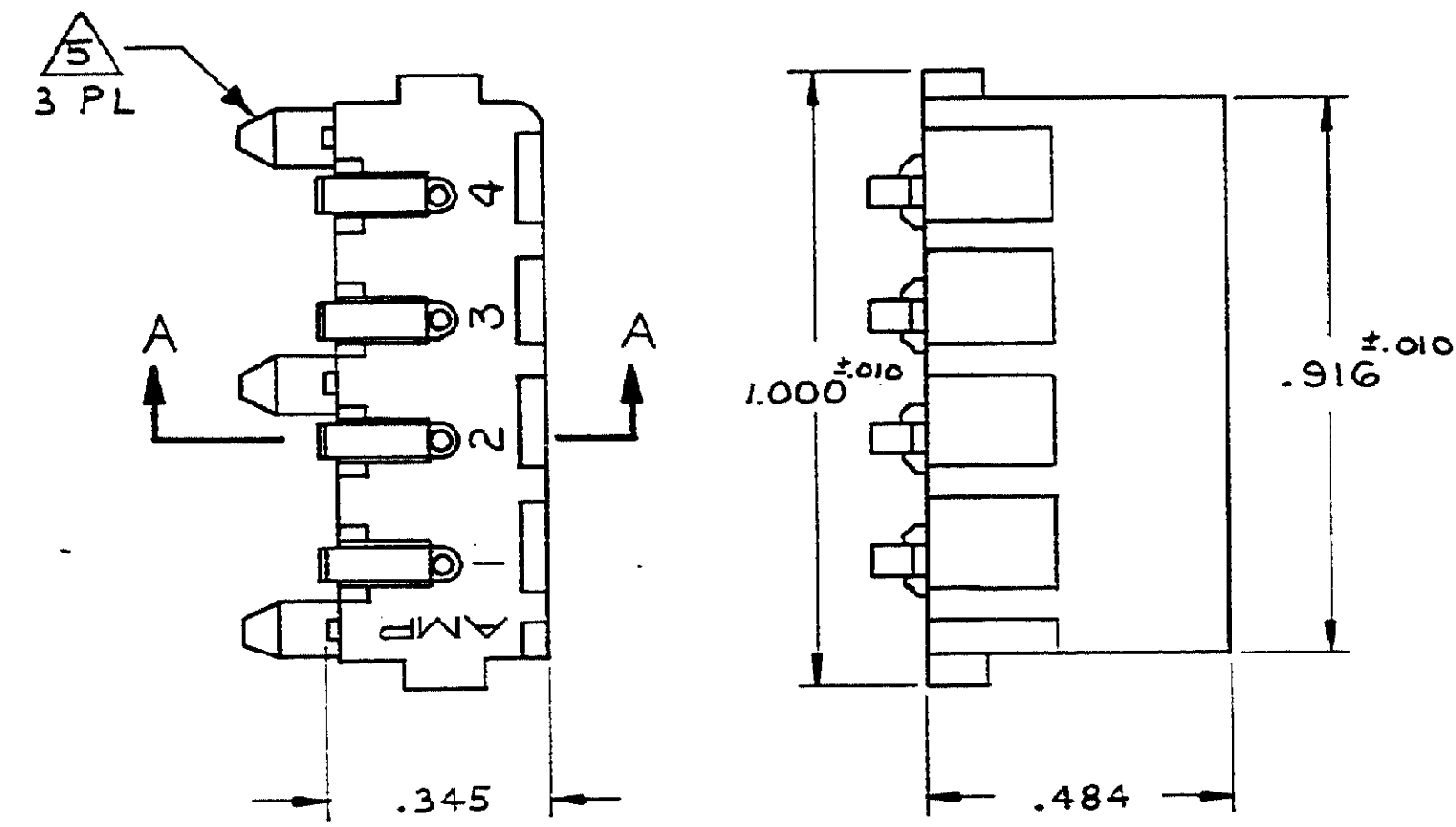
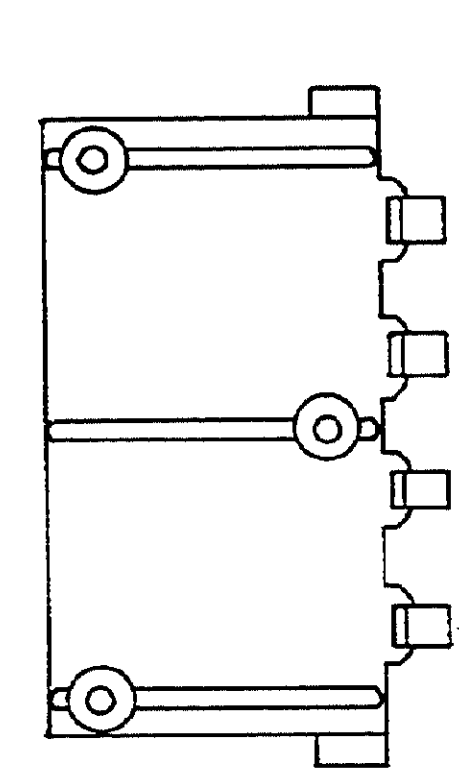


DRAWING MADE IN THIRD ANGLE PROJECTION

THIS DRAWING IS UNPUBLISHED. RELEASED FOR PUBLICATION

© COPYRIGHT 19 BY AMP INCORPORATED, HARRISBURG, PA. ALL INTERNATIONAL RIGHTS RESERVED. AMP PRODUCTS MAY BE COVERED BY U.S. AND FOREIGN PATENTS AND/OR PATENTS PENDING.

| | | REVISIONS | | | |
|---|---|-----------|---------------------|---------|----------|
| P | F | ZONE/LTR | DESCRIPTION | DATE | APPROVED |
| | | 0 | RLSD PER TTI 85-50 | 6/12/85 | RP/RS |
| ✓ | | | REV PER ECN CM 243 | | |
| ✓ | | A | REV PER ECN CM 262 | 7/14/85 | DM/RS |
| ✓ | | B | REV PER CM-626 | 6/28/86 | KL/RS |
| ✓ | | C | REVISED PER CM-3000 | 7-12-90 | MC/RS |



- PARTS COMPLY WITH AMP SOLDERABILITY SPEC 109-11-3.
 - RECOMMENDED EXPOSURE TO VAPOR PHASE REFLOW SOLDERING NOT TO EXCEED 3 MIN.
- ⚠ MATERIAL-HOUSING: NYLON, UL94V-2 (NATURAL)
CONTACT: PH BRZ (PRE-TIN).
 - ⚠ .010 MIN THICK SOLDER PASTE, 63/37 TIN-LEAD.
 - ⚠ PINS TO BE HEAT STAKED TO RETAIN CONNECTOR TO BOARD

770149-1 SHOWN

| | | | | |
|---|--|----------------------|--|------------------|
| UNLESS OTHERWISE SPECIFIED DIMENSIONS ARE IN INCHES. TOLERANCES ON: DECIMALS ± .005 ANGLES ± | | CONTRACT NO. | AMP INCORPORATED Harrisburg, Pa. 17105 | |
| MATERIAL | | DR T Beck 6/12/85 | NAME PIN HEADER ASSEMBLY, RIGHT ANGLE MOUNT, 4 CKT, COMMERCIAL MATE-N-LOK | |
| FINISH | | CHK 6-13-85 | SIZE D | FSCM NO 00779 |
| | | APPR 7-16-85 | DRAWING NO 770149 | SHEET |
| | | OTHER APPR | SCALE 4:1 | |

CUSTOMER DRAWING

X-ON Electronics

Largest Supplier of Electrical and Electronic Components

Click to view similar products for [Pin & Socket Connectors](#) category:

Click to view products by [TE Connectivity](#) manufacturer:

Other Similar products are found below :

[6450822-1](#) [770392-1](#) [794042-1](#) [796885-1](#) [8-794535-1](#) [PLR3455ACS-222](#) [R929991004](#) [R929993003](#) [1403611-1](#) [1-480349-5](#) [152302-5](#)
[153211-2](#) [1586092-1](#) [1586129-1](#) [1586681-4](#) [1586700-1](#) [1586368-1](#) [1586380-1](#) [1586616-1](#) [1586680-5](#) [16-06-0038](#) [164164-5](#) [1-6609930-1](#)
[172296-1](#) [19-09-2035](#) [200503-1](#) [200788-2](#) [2029090-4](#) [2029095-4](#) [925061-7](#) [293734-4](#) [293737-2](#) [1-765362-4](#) [1-794606-3](#) [1871534-1](#)
[200833-4](#) [2008625-2](#) [2029027-2](#) [2029096-4](#) [R929991000](#) [R929991002](#) [R929993000](#) [319-10-101-00-005000](#) [319-10-102-00-001000](#)
[319-10-104-00-001000](#) [319-10-105-00-001000](#) [319-10-108-00-001000](#) [319-10-112-00-006000](#) [39-01-8019](#) [319-10-101-00-001000](#)