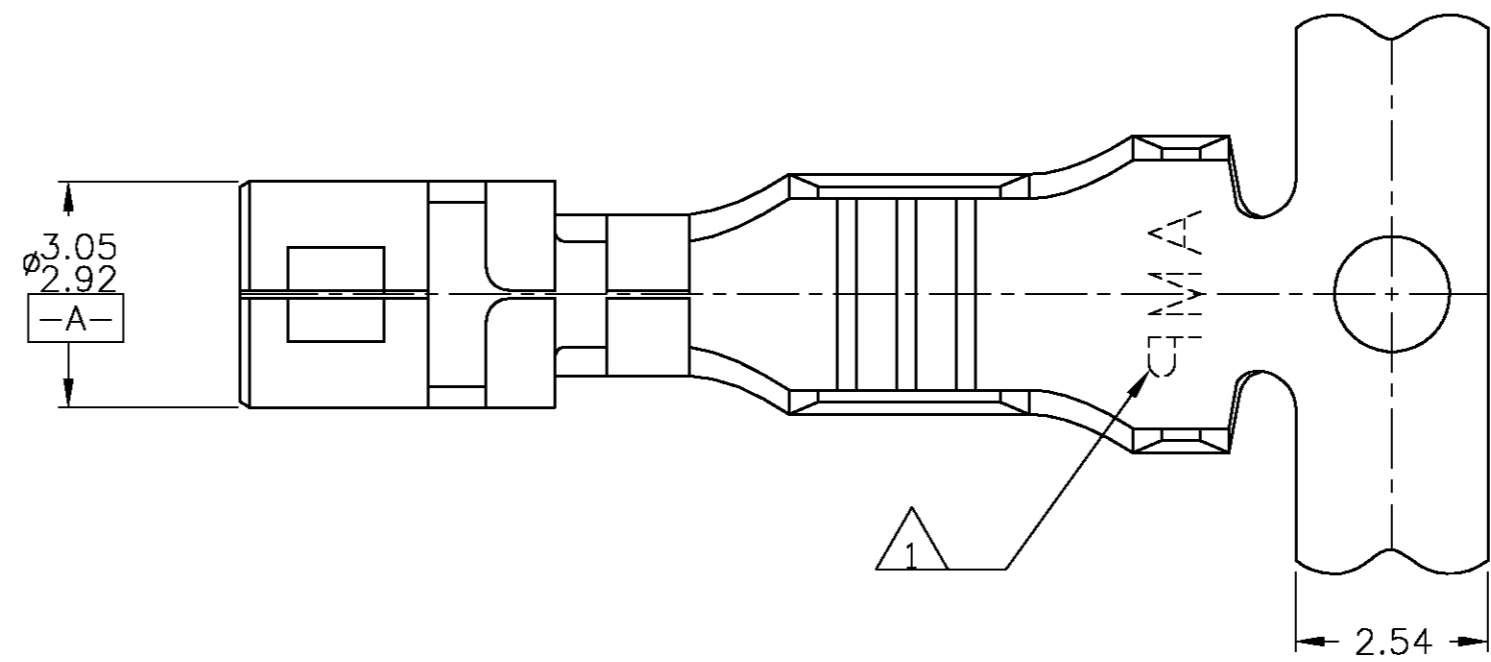
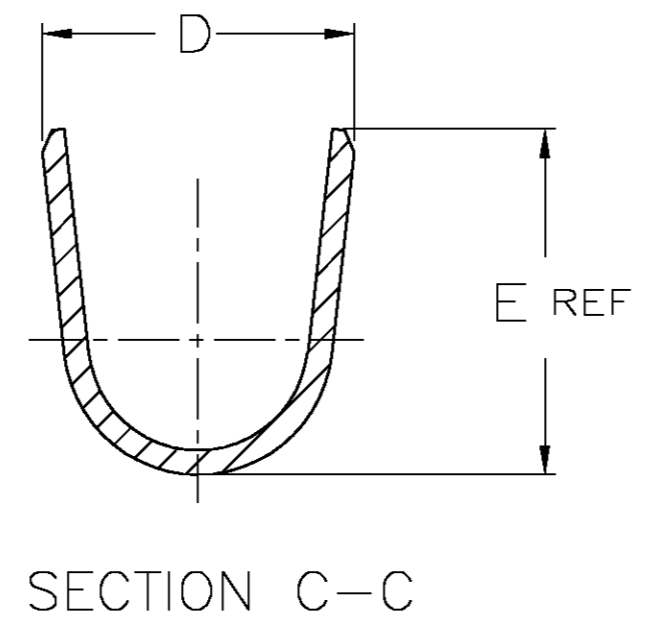
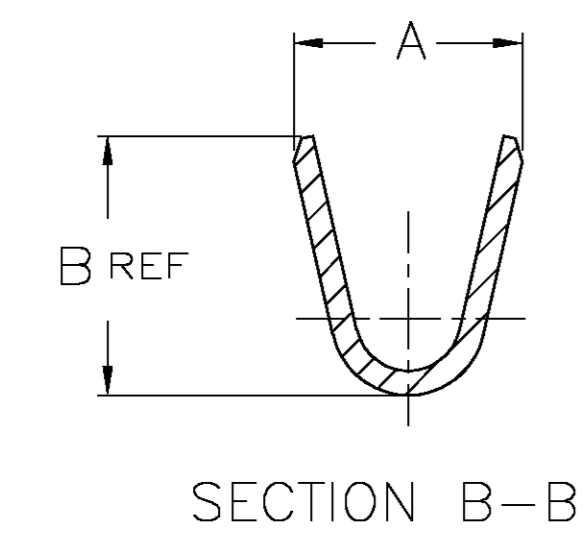
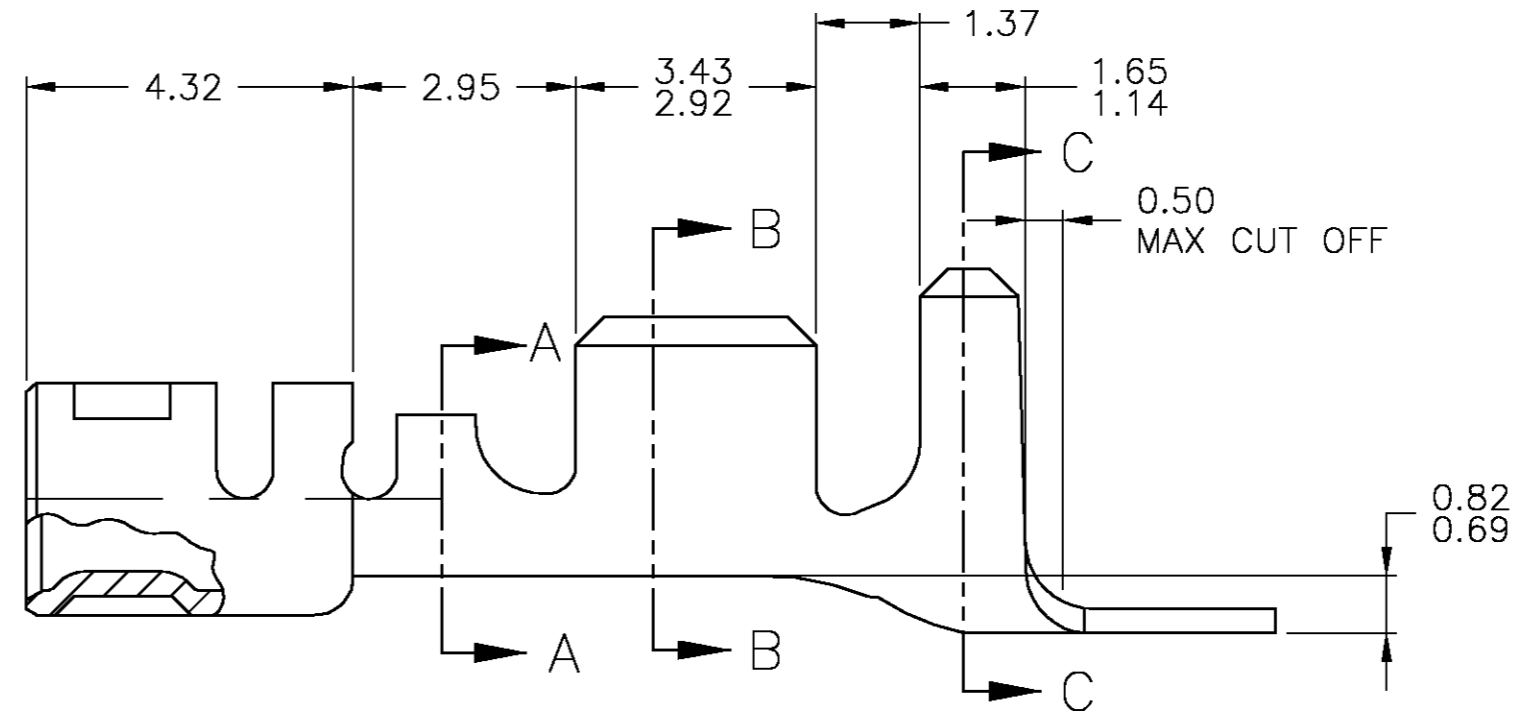
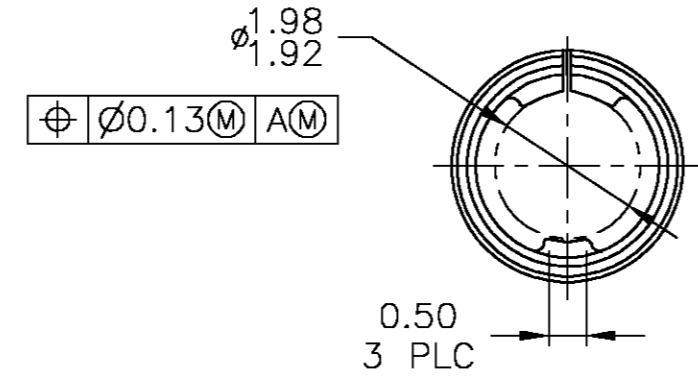
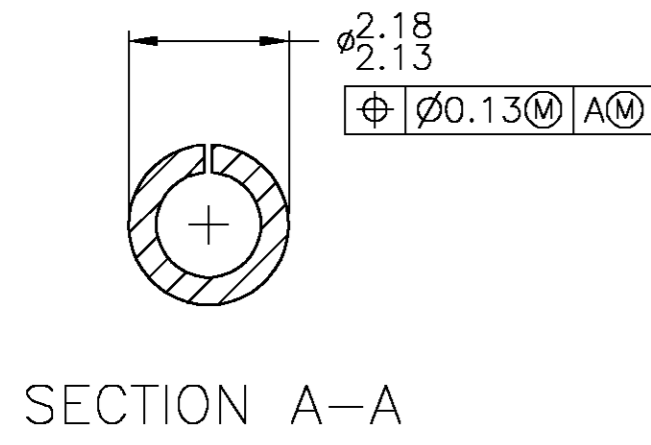


THIS DRAWING IS UNPUBLISHED. RELEASED FOR PUBLICATION  
 © COPYRIGHT BY TYCO ELECTRONICS CORPORATION. ALL RIGHTS RESERVED.

| LOC |    | DIST |     | REVISIONS   |         |     |      |
|-----|----|------|-----|-------------|---------|-----|------|
| GE  | 00 | P    | LTR | DESCRIPTION | DATE    | DWN | APVD |
|     |    | 0    |     | RELEASED    | 03MAR05 | JRB | KLC  |



- 1 AMP TRADEMARK.
- 2. MATERIAL: PHOS BRONZE
- 3. FINISH: PRE-TIN



|      |      |      |      |                  |            |             |
|------|------|------|------|------------------|------------|-------------|
| 2.67 | 2.52 | 4.19 | 3.51 | 1.02-2.54        | 18-22      | 770444-2    |
| 2.29 | 2.28 | 3.81 | 3.25 |                  |            |             |
| 3.18 | 3.48 | 4.45 | 4.63 | 1.52-3.30        | 14-18      | 770444-1    |
| 2.79 | 3.22 | 4.06 | 4.37 |                  |            |             |
| A    | B    | D    | E    | INSULATION RANGE | WIRE RANGE | PART NUMBER |

THIS DRAWING IS A CONTROLLED DOCUMENT.

|                  |             |               |   |                |
|------------------|-------------|---------------|---|----------------|
| DWN              | JR BUSSARD  | 03 MARCH 2005 | <br>Tyco Electronics Corporation<br>Harrisburg, Pa 17105-3608 |                |
| CHK              | KL KREIDLER | 03MAR05       |   |                |
| APVD             | KL KREIDLER | 03MAR05       |   |                |
| PRODUCT SPEC     |             |               |   |                |
| APPLICATION SPEC |             |               | NAME  | CONTACT SOCKET |
| MATERIAL         |             |               | SIZE  | A2             |
| FINISH           |             |               | CAGE CODE   | 00779          |
|                  |             |               | DRAWING NO  | C=770444       |
|                  |             |               | RESTRICTED TO   |                |
|                  |             |               | WEIGHT  | -              |
|                  |             |               | CUSTOMER DRAWING  |                |
|                  |             |               | SCALE   | 10:1           |
|                  |             |               | SHEET   | 1 OF 1         |
|                  |             |               | REV   | 0              |

## X-ON Electronics

Largest Supplier of Electrical and Electronic Components

*Click to view similar products for [Automotive Connectors](#) category:*

*Click to view products by [TE Connectivity](#) manufacturer:*

Other Similar products are found below :

[003-018-000](#) [60403001](#) [60993906-B](#) [M902-2131](#) [M902-2161](#) [M902-2344](#) [72.330.1035.1](#) [73.353.4028.0](#) [F119300-B](#) [F166900](#) [F258300-B](#)  
[F358300-B](#) [F407400](#) [F444110](#) [F487000](#) [F509500B-B](#) [827153-1](#) [8N1515-32-24P](#) [9-1326729-8](#) [925474-1](#) [928905-1](#) [964562-4](#) [968782-1](#)  
[GT17SA-8DS-HU](#) [98891-1012](#) [98947-1016](#) [12004147](#) [12004475-L](#) [12010290](#) [12010309-B](#) [12015454](#) [12020219-B](#) [12041318-B](#) [12052225-](#)  
[L](#) [12052466](#) [12064869](#) [12004327-B](#) [12015308](#) [12015384](#) [12015909](#) [1-21030-1](#) [12041254](#) [12041318](#) [12047946-B](#) [12047957](#) [12047957-L](#)  
[12059473](#) [12066261](#) [12110546](#) [12110546-B](#)