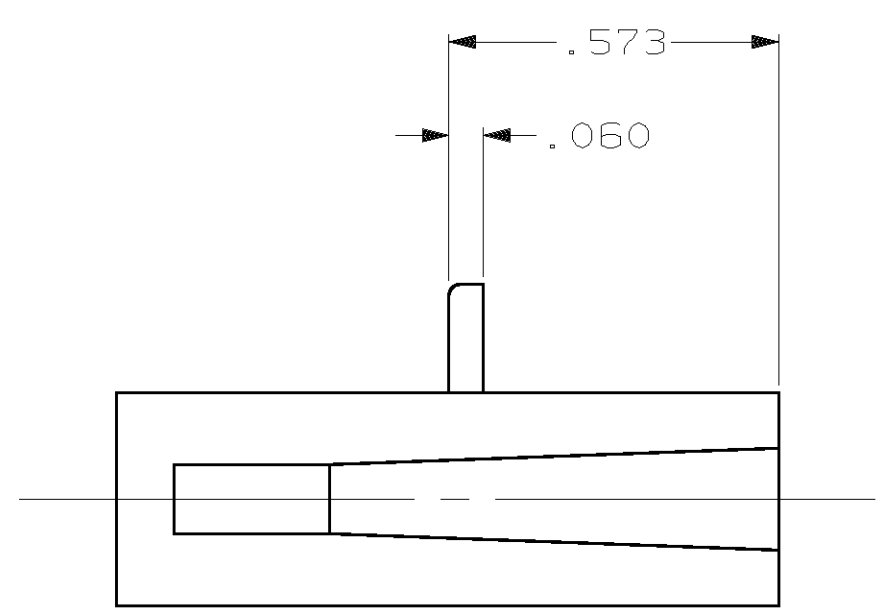
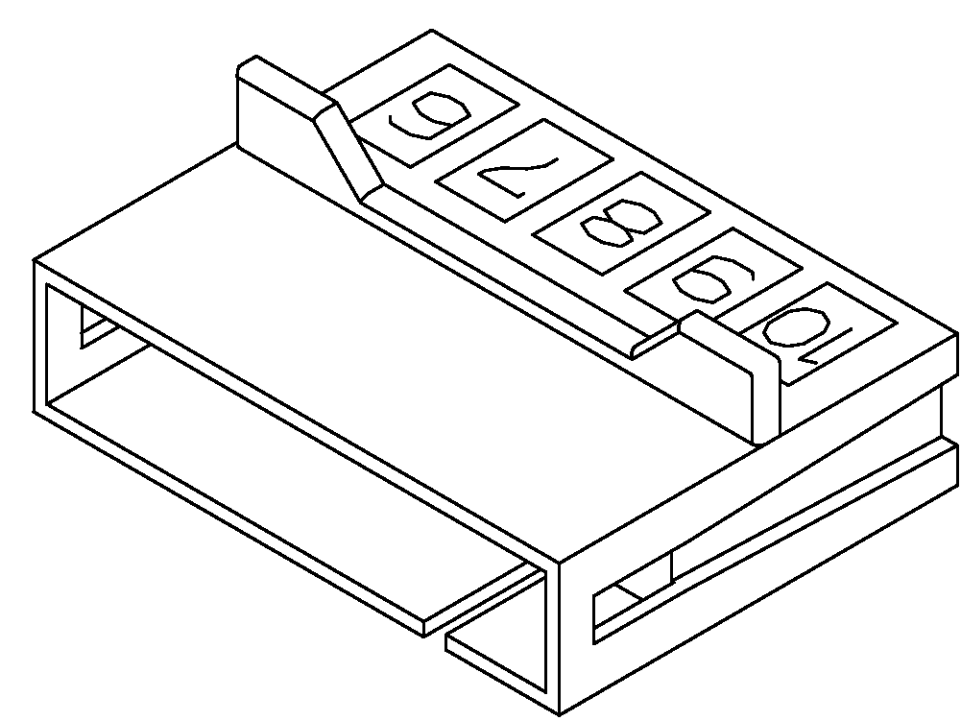
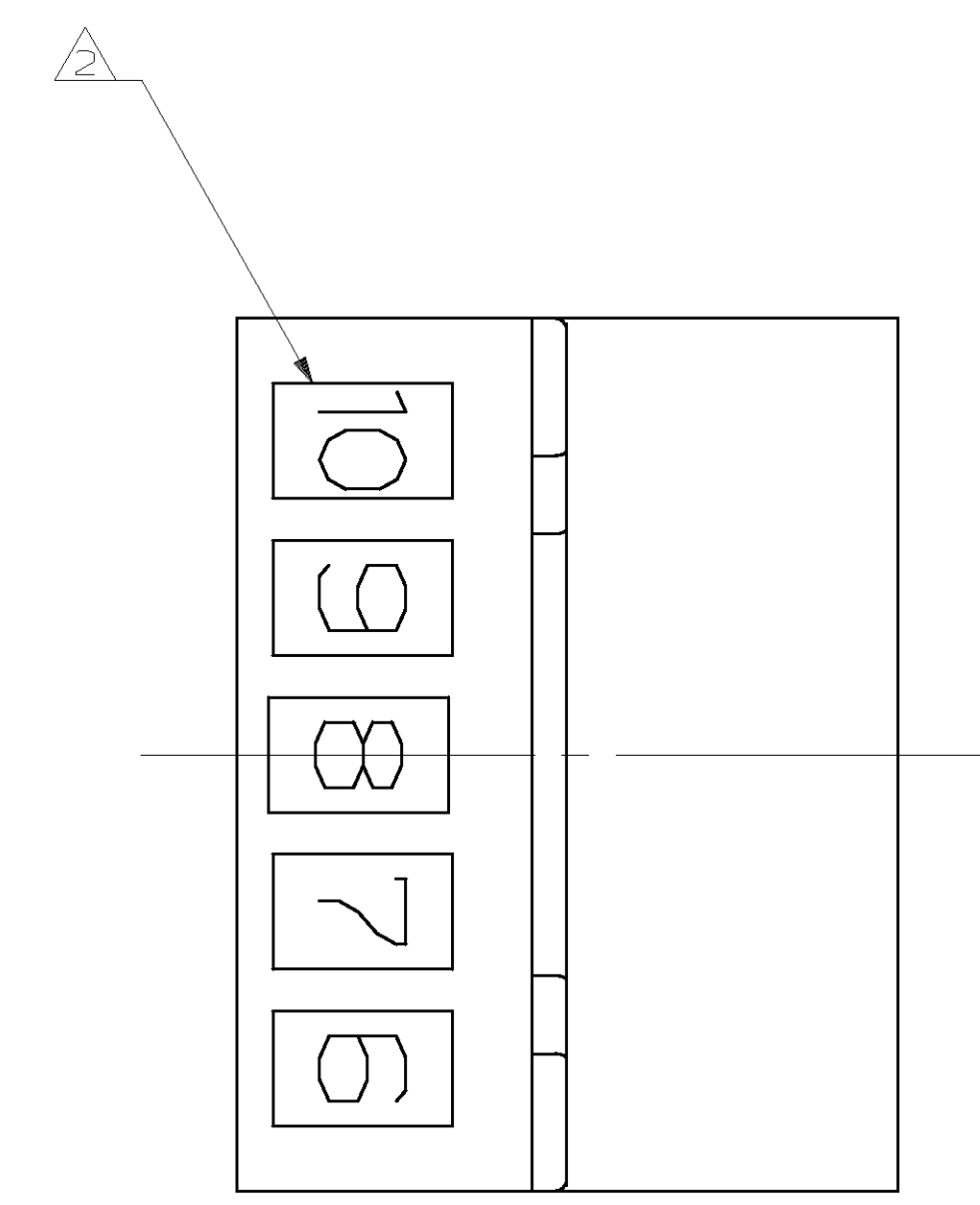
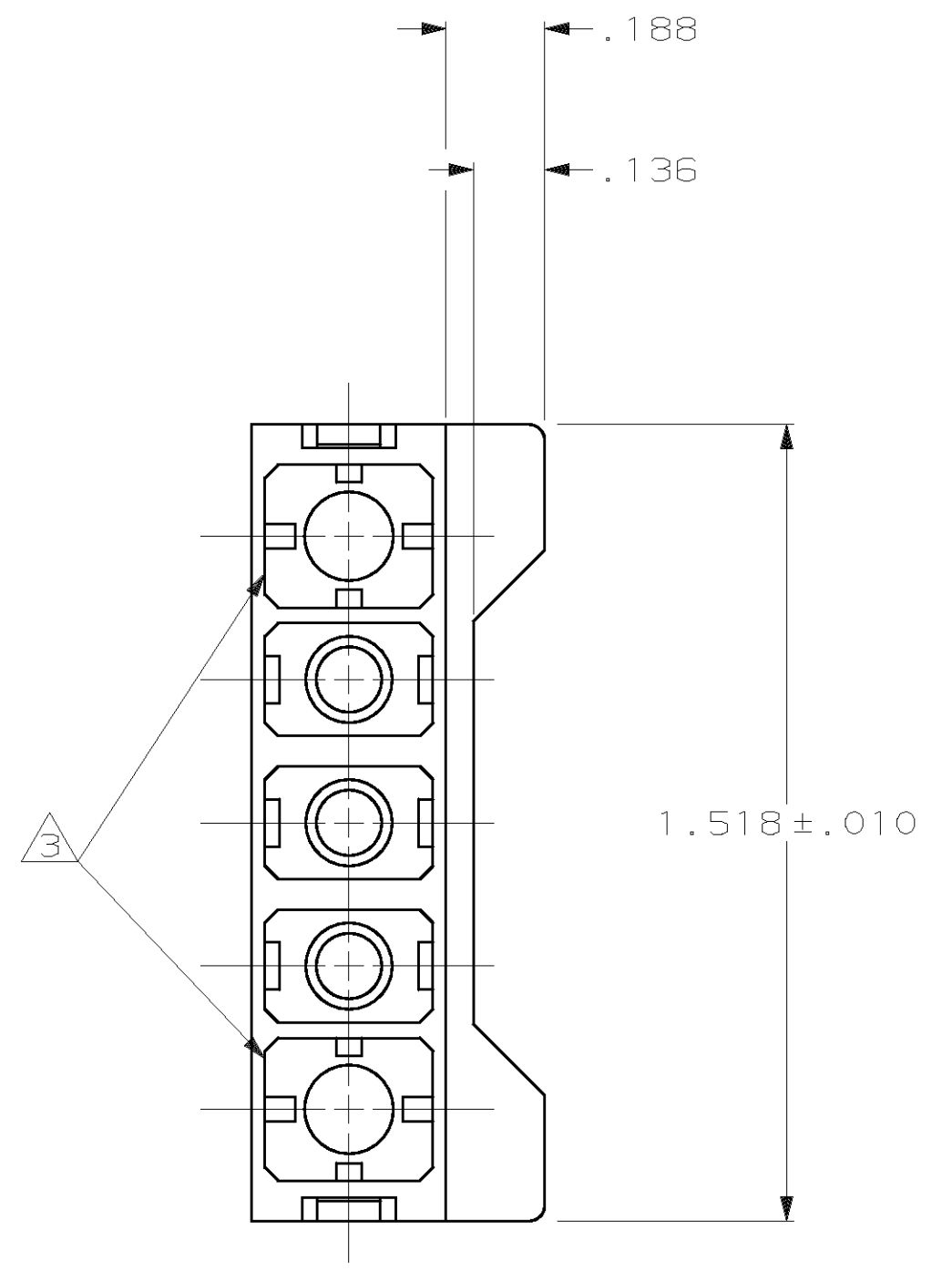
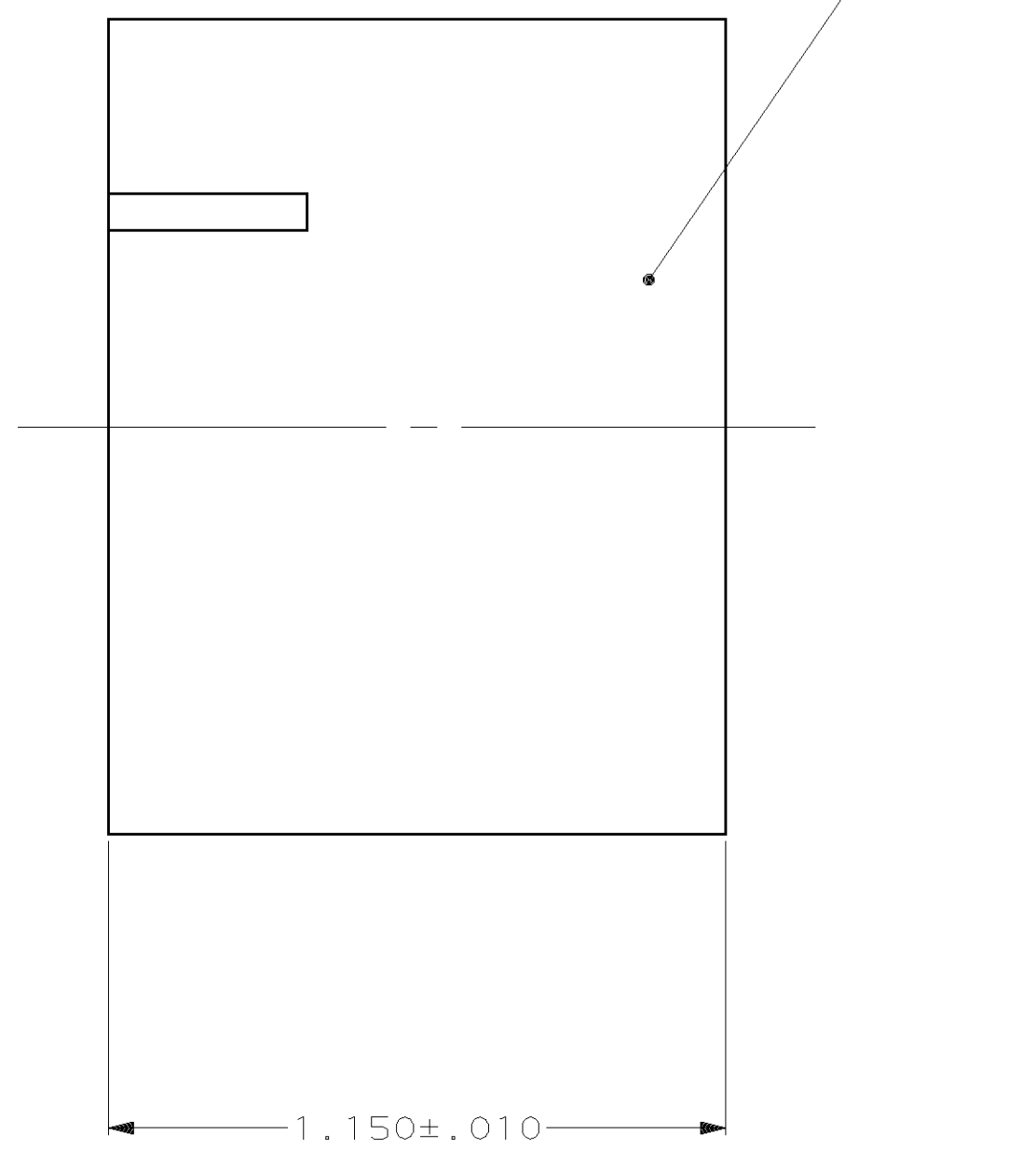
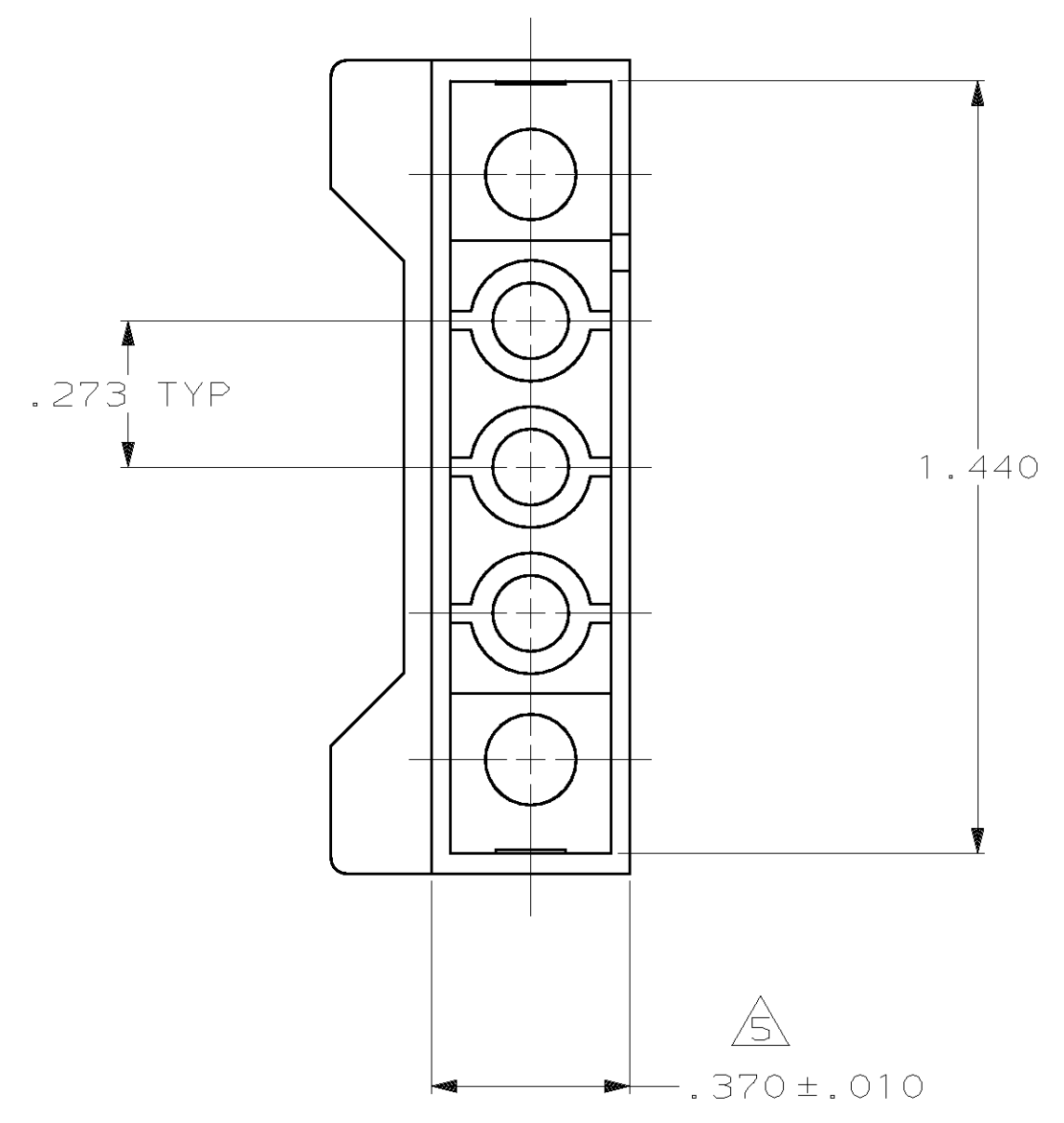


| LOC | | DIST | | P | | F | | ZONE | | LTR | | REVISIONS | | DATE | APPO |
|-----|----|------|--|---|--|---|--|------|--|-----|--|-----------|-------------------------|-----------|----------|
| CM | 53 | | | | | | | | | | | H | REV PER EC 0G1B-0260-98 | 21-JAN-99 | JH RS |



- MATES WITH PLUG HOUSING 770462.
- CIRCUIT NUMBERS LOCATED APPROXIMATELY AS SHOWN.
- WHEN USING CONTACT P/N 770484-1 IN HOUSING POSITIONS NO.6 & 10, THE WIRE STRIP LENGTH MUST BE $.385 \pm .015$.
- AMP LOGO LOCATED ON THIS SURFACE.
- DIMENSION TO BE HELD AT CORNERS. DIMENSION MAY GO TO $.351$ AT FEATURE CENTER DUE TO BOW.



3-DIMENSIONAL MODEL
NTS

| | | | |
|------|------|-------|-------|
| .188 | 4.78 | 1.518 | 38.56 |
| .140 | 3.56 | 1.440 | 36.58 |
| .136 | 3.45 | 1.150 | 29.21 |
| .093 | 2.36 | .573 | 14.55 |
| .060 | 1.52 | .385 | 9.78 |
| .015 | 0.38 | .370 | 9.40 |
| .010 | 0.25 | .351 | 8.92 |
| .005 | 0.13 | .273 | 6.93 |
| IN | MM | IN | MM |

CONVERSION TABLE

METRIC

| | | | |
|--|--|----------------------------|---|
| DO NOT SCALE PRINT. UNLESS SPECIFIED DIMENSIONS IN INCHES TOLERANCES ON : 2 PLC DEC ± _____ 3 PLC DEC ± .005 ANGLES ± _____ | | DR K. WHITAKER 12-20-88 | AMP INCORPORATED Harrisburg, Pa. 17105 |
| MATERIAL NYLON, UL 94V-2 NATURAL | | CHK R. SWING 12-21-88 | |
| FINISH _____ | | APPD G. BROWN 12-21-88 | NAME CAP, LEFT HAND, .093/.140 COMMERCIAL PIN AND SOCKET |
| APPLICATION SPEC _____ | | APPD G. BROWN 12-21-88 | PRODUCT SPEC _____ |
| WEIGHT _____ | | SCALE 3:1 | DRAWING NO 770464 |
| | | SIZE D | FSCM NO 00779 |
| | | | SHEET 1 OF 1 |

770464-1
PART NO

X-ON Electronics

Largest Supplier of Electrical and Electronic Components

Click to view similar products for [Pin & Socket Connectors](#) category:

Click to view products by [TE Connectivity](#) manufacturer:

Other Similar products are found below :

[6450822-1](#) [770392-1](#) [794042-1](#) [796885-1](#) [8-794535-1](#) [PLR3455ACS-222](#) [R929991004](#) [R929993003](#) [1403611-1](#) [1-480349-5](#) [152302-5](#)
[153211-2](#) [1586092-1](#) [1586129-1](#) [1586681-4](#) [1586700-1](#) [1586368-1](#) [1586380-1](#) [1586616-1](#) [1586680-5](#) [16-06-0038](#) [164164-5](#) [1-6609930-1](#)
[172296-1](#) [19-09-2035](#) [200503-1](#) [200788-2](#) [2029090-4](#) [2029095-4](#) [925061-7](#) [293734-4](#) [293737-2](#) [1-765362-4](#) [1871534-1](#) [200833-4](#)
[2008625-2](#) [2029027-2](#) [2029096-4](#) [R929991000](#) [R929991002](#) [R929993000](#) [319-10-101-00-005000](#) [319-10-102-00-001000](#) [319-10-104-00-001000](#) [319-10-105-00-001000](#) [319-10-108-00-001000](#) [319-10-112-00-006000](#) [39-01-8019](#) [319-10-101-00-001000](#) [319-10-102-00-005000](#)