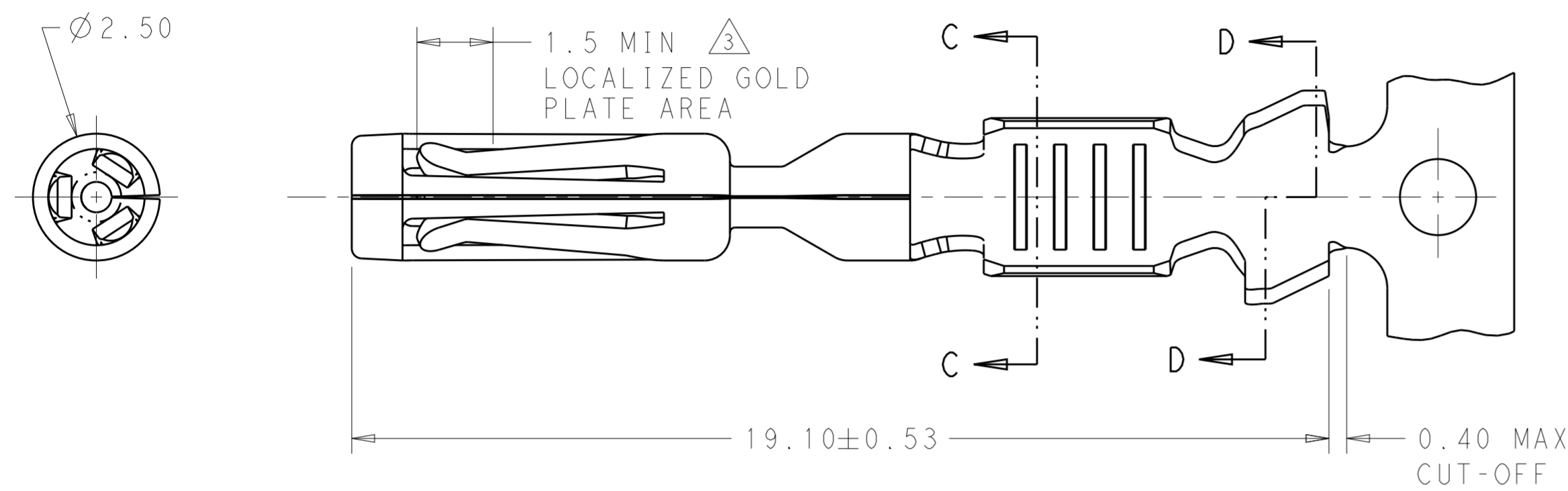


THIS DRAWING IS UNPUBLISHED. RELEASED FOR PUBLICATION 2012  
 © COPYRIGHT 2012 BY TE CONNECTIVITY ALL RIGHTS RESERVED.

REVISIONS				
P	LTR	DESCRIPTION	DATE	APVD
D8		ECO-18-013654	28AUG2018	DS DS
E		ECO-18-014102	05SEP2018	DS DS
E1		ECO-18-019700	17DEC2018	DS DS
E2		ECO-19-014688	21NOV2019	DS DS



- THE WIRE SIZES QUALIFIED FOR THIS TERMINAL ARE LISTED BELOW SHOWING THE AWG SIZE AND THE METRIC EQUIVALENT  
 20AWG - 0.5mm<sup>2</sup>  
 18AWG - 0.8mm<sup>2</sup>  
 16AWG - 1.0mm<sup>2</sup>

THE TERMINAL HAS ALSO BEEN QUALIFIED TO THE SPECIFIC METRIC WIRE SIZES LISTED BELOW  
 1.0mm<sup>2</sup>FLRY  
 1.5mm<sup>2</sup>FLRY

- INSULATION RANGE: 1.70-2.70.
- △ .00075 MIN GOLD IN THE LOCALIZED GOLD PLATE AREA, .0025 MIN MATTE TIN IN THE LOCALIZED TIN PLATE AREA OVER .00125 MIN NICKEL OVER ENTIRE CONTACT.
- USED WITH AMPSEAL PLUG ASSEMBLY: 776286, 776273, 770680, 776164
- △ DIE IDENTIFIER, T275 AND TE2, LOCATED IN THIS AREA.

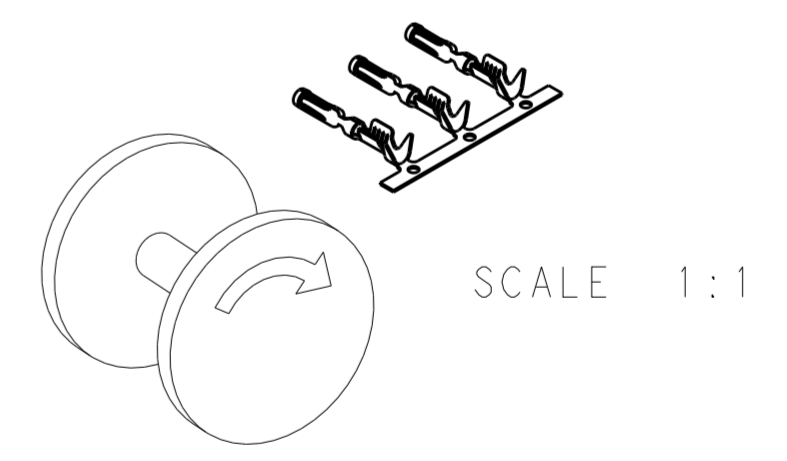
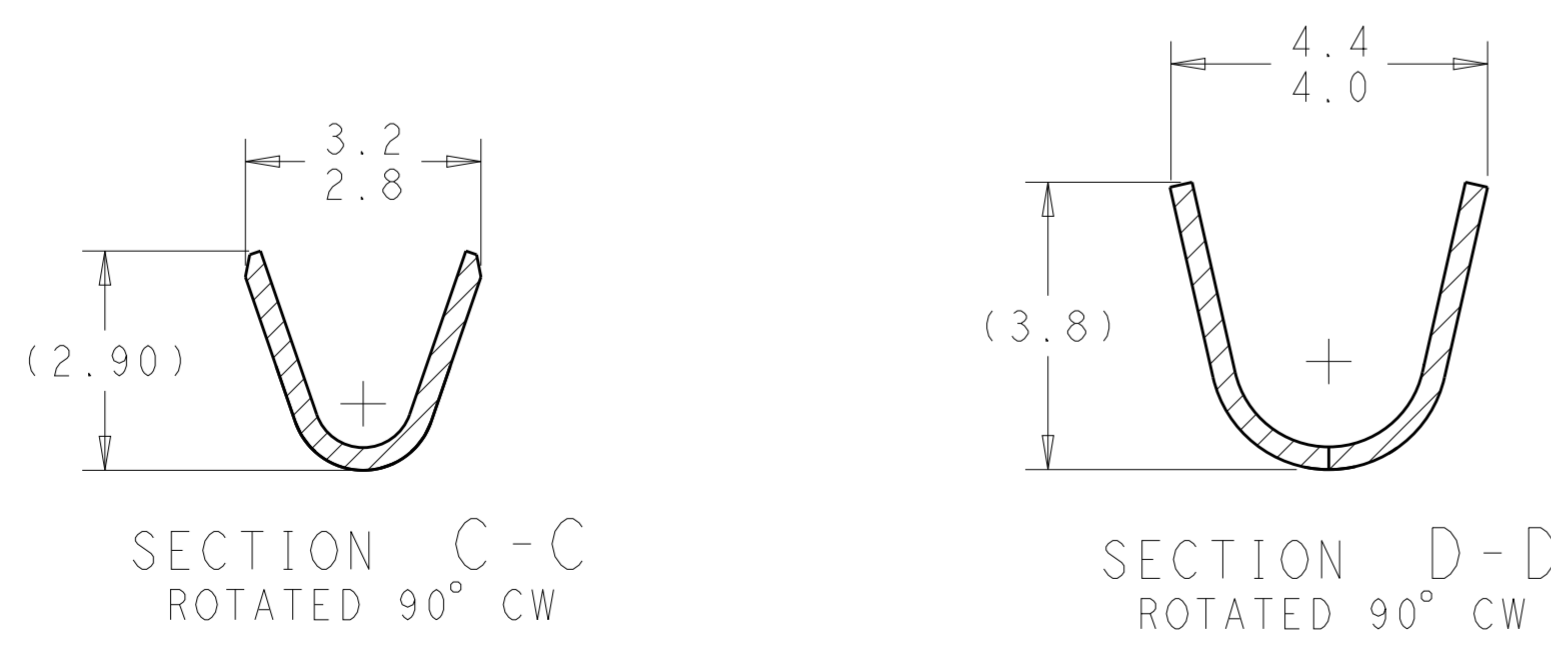
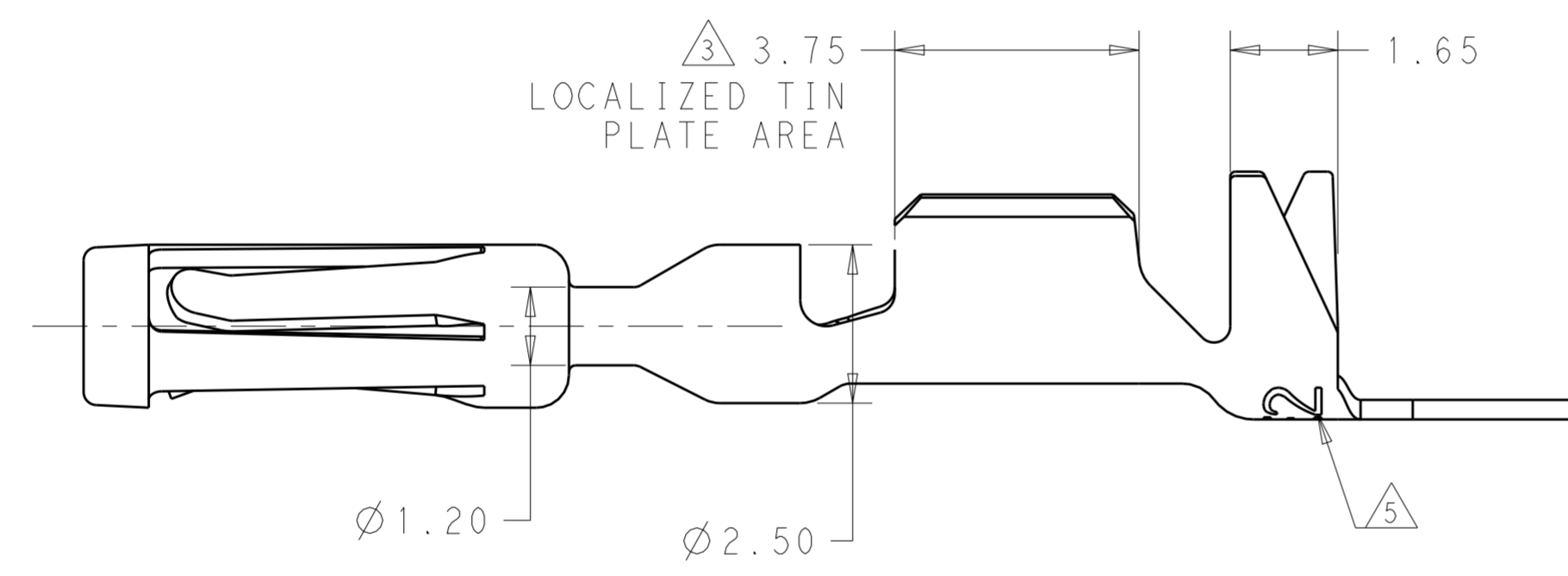


FIGURE 1  
FINAL PAYOUT DIRECTION

770854-3	GOLD △	0.30 COPPER ALLOY	770520-3
770854-1	PRE-TIN	0.30 COPPER ALLOY	770520-1
LOOSE PIECE	FINISH	MATERIAL	PART NUMBER

THIS DRAWING IS A CONTROLLED DOCUMENT.		DWN R. VESTAL 19 JUN 2012	TE Connectivity	
DIMENSIONS: mm		CHK D. STRAUSSER 19 JUN 2012		
TOLERANCES UNLESS OTHERWISE SPECIFIED:		APVD D. STRAUSSER 19 JUN 2012	NAME CONTACT, AMPSEAL	
0 PLC ±		PRODUCT SPEC 108-1329	SIZE CAGE CODE DRAWING NO RESTRICTED TO	
1 PLC ±		APPLICATION SPEC 114-16016	A200779 C-770520	
2 PLC ±0.15		WEIGHT -	SCALE 10:1 SHEET 1 OF 1 REV E2	
3 PLC ±		CUSTOMER DRAWING		
4 PLC ±				
ANGLES ±				
FINISH SEE TABLE				

## X-ON Electronics

Largest Supplier of Electrical and Electronic Components

*Click to view similar products for [Automotive Connectors](#) category:*

*Click to view products by [TE Connectivity](#) manufacturer:*

Other Similar products are found below :

[003-018-000](#) [60403001](#) [60993906-B](#) [M902-2131](#) [M902-2161](#) [72.330.1035.1](#) [73.353.4028.0](#) [F119300-B](#) [F166900](#) [F258300-B](#) [F358300-B](#)  
[F407400](#) [F444110](#) [F487000](#) [F509500B-B](#) [827153-1](#) [8N1515-32-24P](#) [9-1326729-8](#) [925474-1](#) [928905-1](#) [964562-4](#) [968782-1](#) [GT17SA-8DS-](#)  
[HU](#) [98891-1012](#) [98947-1016](#) [12004147](#) [12004475-L](#) [12010290](#) [12010309-B](#) [12015454](#) [12020219-B](#) [12020308](#) [12041318-B](#) [12052225-L](#)  
[12052466](#) [12059125](#) [12064869](#) [12004327-B](#) [12010503-B](#) [12015308](#) [12015384](#) [12015909](#) [1-21030-1](#) [12041254](#) [12041318](#) [12047946-B](#)  
[12047957](#) [12047957-L](#) [12059473](#) [12066261](#)