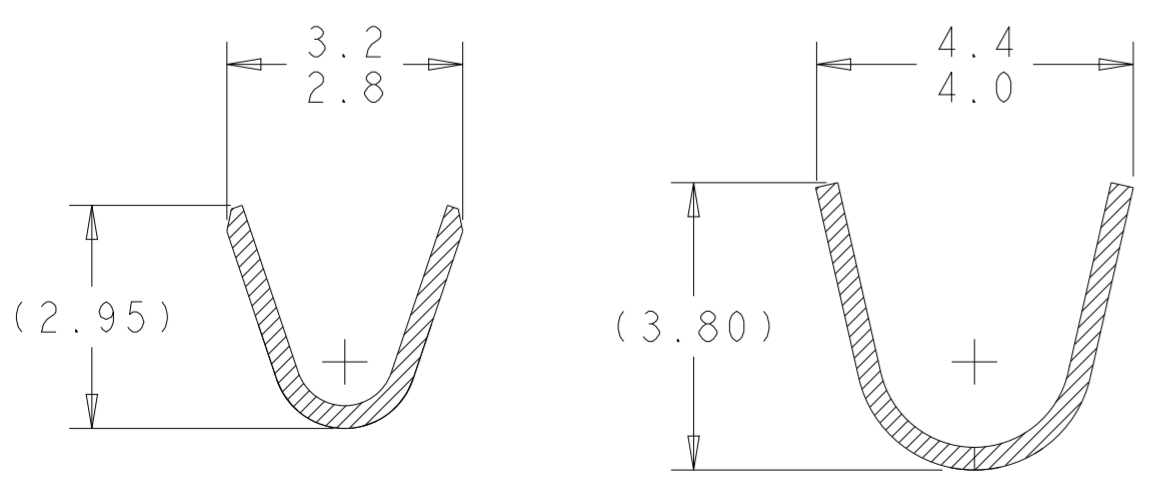
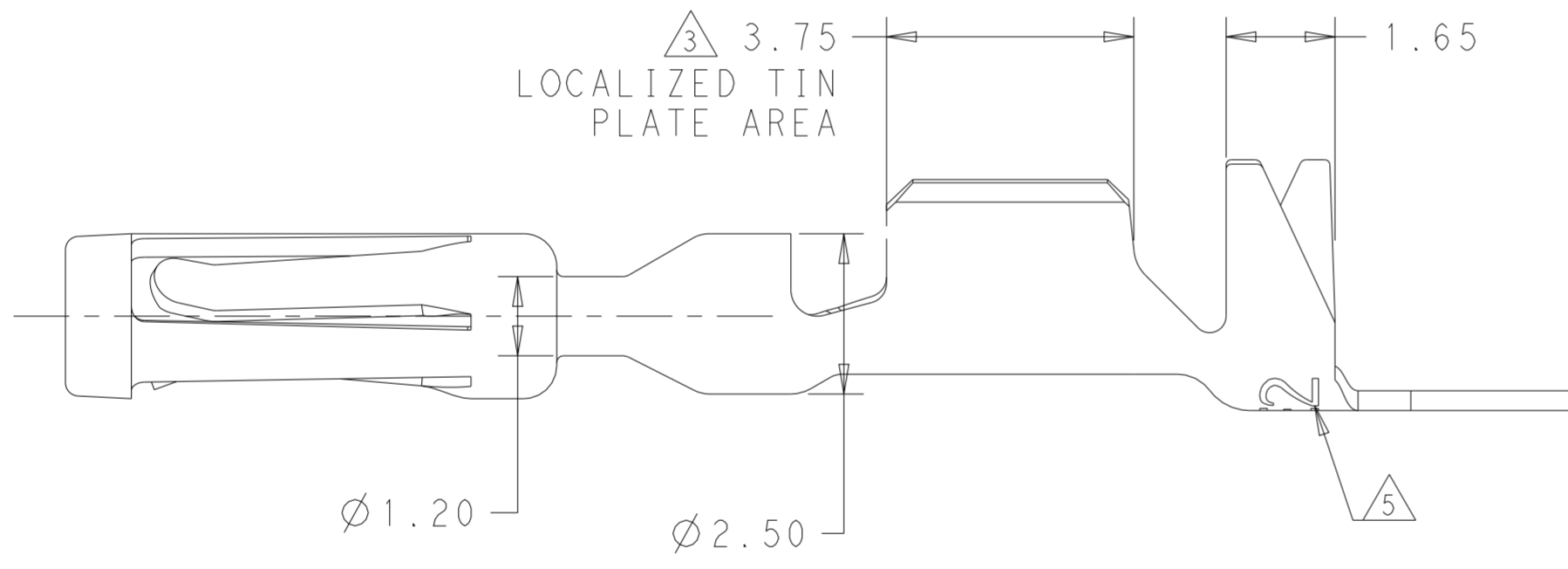
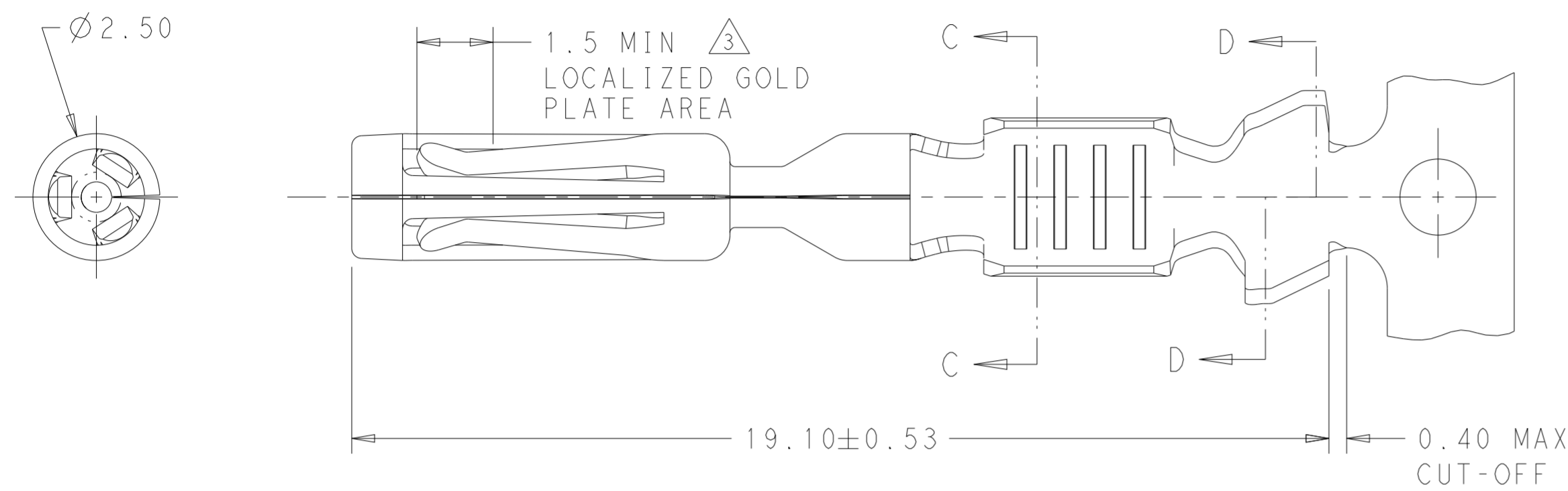


THIS DRAWING IS UNPUBLISHED. RELEASED FOR PUBLICATION 2012
 © COPYRIGHT copyright dbTeTE CONNECTIVITY ALL RIGHTS RESERVED.

REVISIONS				
P	LTR	DESCRIPTION	DATE	APVD
E3		REV PER ECN-21-124923	08NOV2021	DS DS
-	-	-	-	-
-	-	-	-	-
-	-	-	-	-



SECTION C-C ROTATED 90° CW
 SECTION D-D ROTATED 90° CW
 16-20 AWG WIRE

- THE WIRE SIZES QUALIFIED FOR THIS TERMINAL ARE LISTED BELOW SHOWING THE AWG SIZE AND THE METRIC EQUIVALENT
 20AWG - 0.5mm²
 18AWG - 0.8mm²
 16AWG - 1.0mm²
 THE TERMINAL HAS ALSO BEEN QUALIFIED TO THE SPECIFIC METRIC WIRE SIZES LISTED BELOW
 1.0mm²FLRY
 1.5mm²FLRY
- INSULATION RANGE: 1.10-2.70.
- △ .00075 MIN GOLD IN THE LOCALIZED GOLD PLATE AREA, .0025 MIN MATTE TIN IN THE LOCALIZED TIN PLATE AREA OVER .00125 MIN NICKEL OVER ENTIRE CONTACT
- USED WITH AMPSEAL PLUG ASSEMBLY: 776286, 776273, 770680, 776164
- △ DIE IDENTIFIER, T275 AND TE2, LOCATED IN THIS AREA.

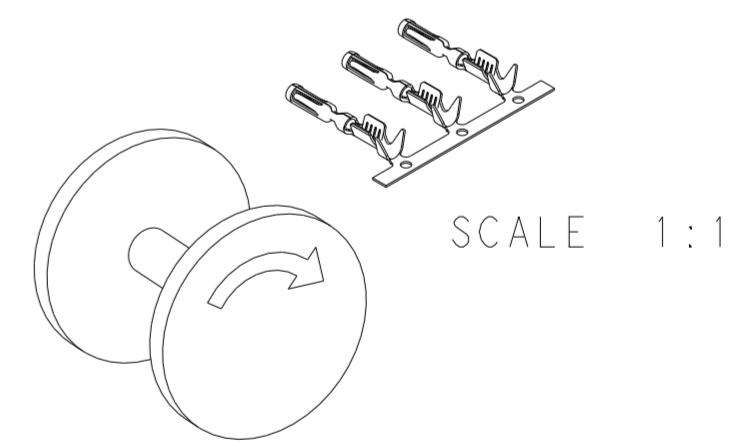


FIGURE 1
 FINAL PAYOUT DIRECTION

770854-3	16-20	GOLD △	0.30 COPPER ALLOY	770520-3
770854-1	16-20	TIN	0.30 COPPER ALLOY	770520-1
LOOSE PIECE	WIRE GAGE AWG	FINISH	MATERIAL	PART NUMBER

THIS DRAWING IS A CONTROLLED DOCUMENT.		DWN R. VESTAL 19 JUN 2012	TE Connectivity		
DIMENSIONS: mm		CHK D. STRAUSSER 19 JUN 2012			
TOLERANCES UNLESS OTHERWISE SPECIFIED:		APVD D. STRAUSSER 19 JUN 2012			
0 PLC ± 1 PLC ± 2 PLC ± 3 PLC ± 4 PLC ± ANGLES ± FINISH		NAME CONTACT, AMPSEAL PRODUCT SPEC 108-1329 APPLICATION SPEC 114-16016 WEIGHT - CUSTOMER DRAWING			
MATERIAL SEE TABLE	SEE TABLE	SIZE A2	CAGE CODE 00779	DRAWING NO C-770520	RESTRICTED TO
			SCALE 10:1	SHEET 1 OF 1	REV E3

X-ON Electronics

Largest Supplier of Electrical and Electronic Components

Click to view similar products for [Automotive Connectors](#) category:

Click to view products by [TE Connectivity](#) manufacturer:

Other Similar products are found below :

[003-018-000](#) [60403001](#) [60993906-B](#) [M902-2131](#) [M902-2161](#) [72.330.1035.1](#) [73.353.4028.0](#) [F119300-B](#) [F166900](#) [F258300-B](#) [F358300-B](#)
[F407400](#) [F444110](#) [F487000](#) [F509500B-B](#) [827153-1](#) [8N1515-32-24P](#) [9-1326729-8](#) [925474-1](#) [928905-1](#) [964562-4](#) [968782-1](#) [GT17SA-8DS-](#)
[HU](#) [98891-1012](#) [98947-1016](#) [12004147](#) [12004475-L](#) [12010290](#) [12010309-B](#) [12015454](#) [12020219-B](#) [12020308](#) [12041318-B](#) [12052225-L](#)
[12052466](#) [12059125](#) [12064869](#) [12004327-B](#) [12010503-B](#) [12015308](#) [12015384](#) [12015909](#) [1-21030-1](#) [12041254](#) [12041318](#) [12047946-B](#)
[12047957](#) [12047957-L](#) [12059473](#) [12066261](#)