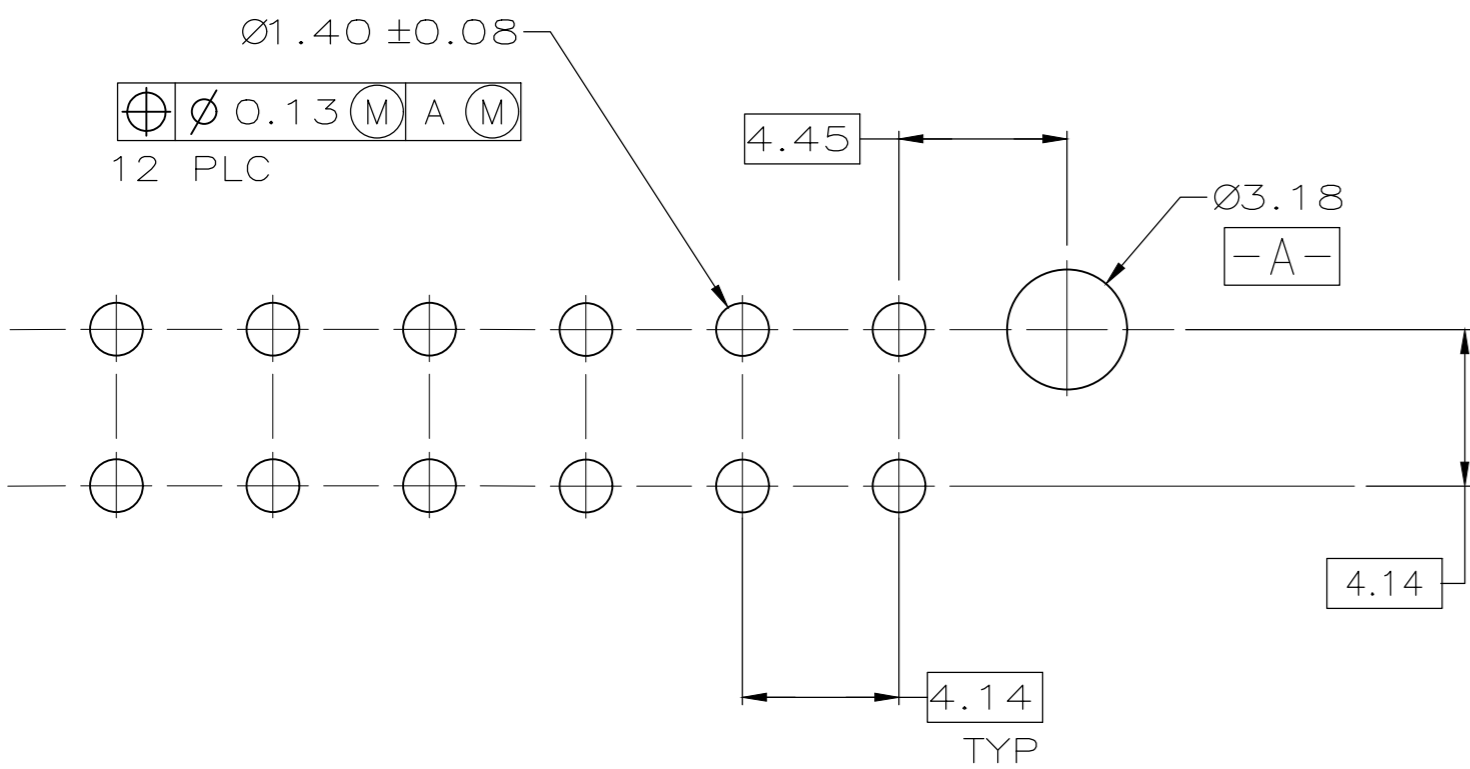
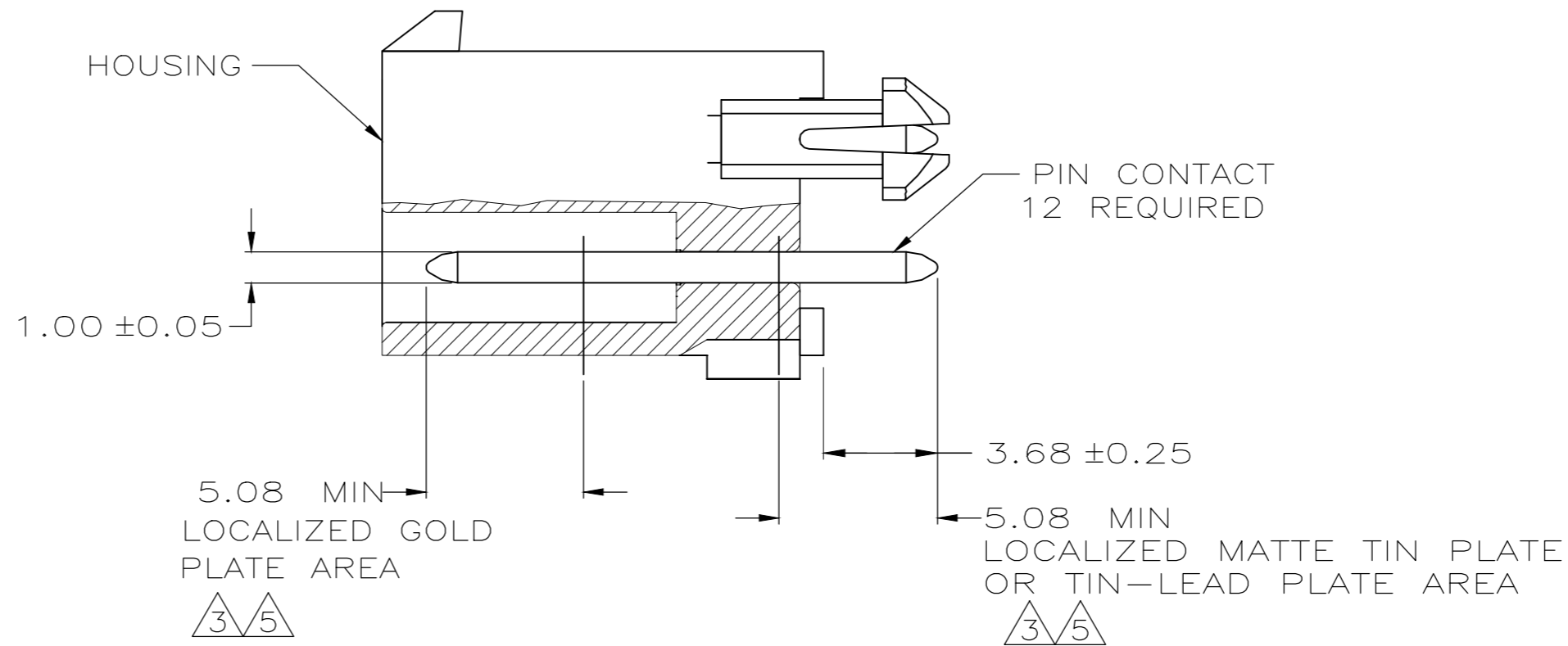
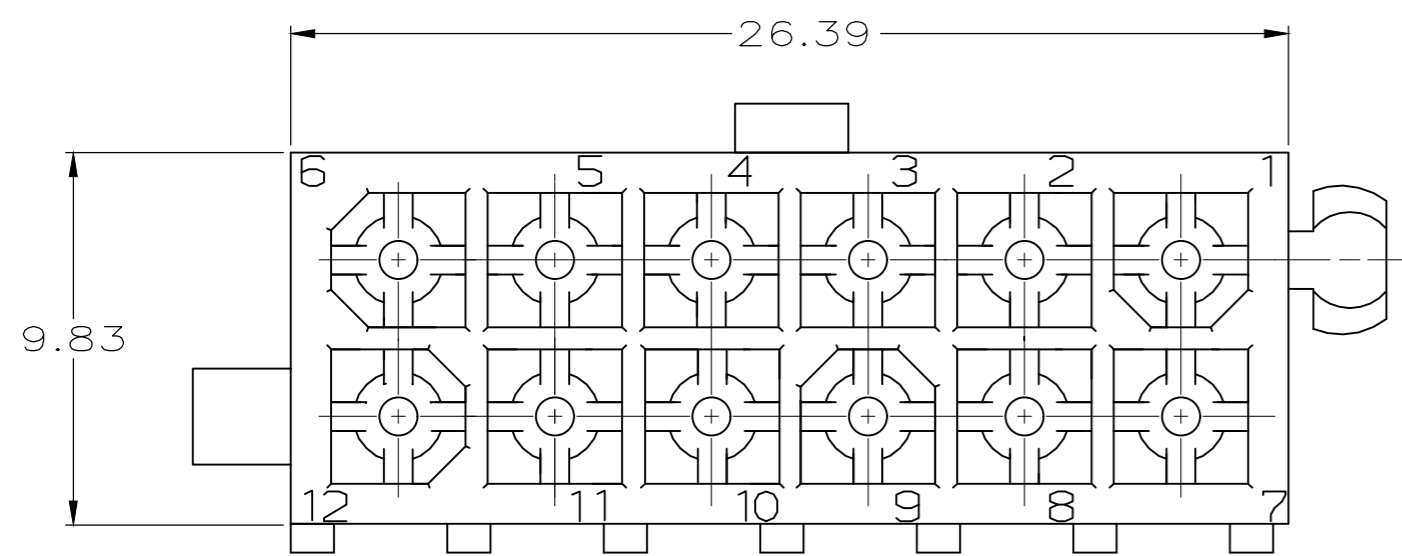
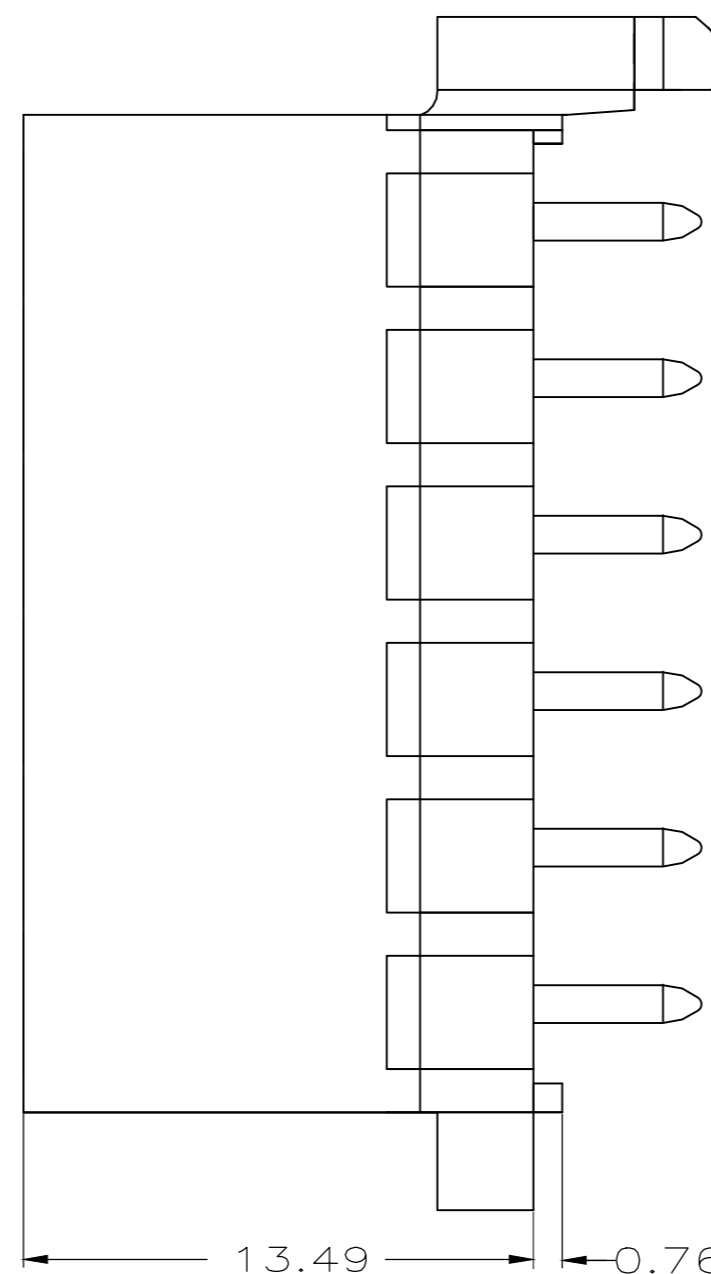


THIS DRAWING IS UNPUBLISHED. RELEASED FOR PUBLICATION  
 © COPYRIGHT - By - ALL RIGHTS RESERVED.

LOC		DIST		REVISIONS			
P	LTR	DESCRIPTION		DATE	DWN	APVD	
CM	0	M1	REVISED PER ECR-18-005392		27NOV2018	BDA	SG



RECOMMENDED HOLE PATTERN FOR 1.57 THICK BOARD



- PINS TO COMPLY WITH AMP SOLDERABILITY SPEC. 109-11-3.
- 0.00381 MIN MATTE TIN LEAD OVER 0.00127 MIN NICKEL.
- 0.00076 MIN GOLD PLATE IN THE LOCALIZED PLATE AREA, 0.00381 MATTE TIN LEAD IN THE LOCALIZED PLATE AREA, BOTH OVER 0.00127 MIN NICKEL.
- 0.00381 MIN MATTE TIN OVER 0.00127 MIN NICKEL.
- 0.00076 MIN GOLD PLATE IN THE LOCALIZED PLATE AREA, 0.00381 MATTE TIN IN THE LOCALIZED PLATE AREA, BOTH OVER 0.00127 MIN NICKEL.

BRASS, GOLD	5	NYLON, UL94V-0	WHITE	1-770621-1
BRASS, TIN	4	NYLON, UL94V-0	WHITE	1-770621-0
OBSOLETE BRASS, GOLD	3	NYLON, UL94V-0	WHITE	-770621-2
BRASS, TIN-LEAD	2	NYLON, UL94V-0	WHITE	770621-1
MATERIAL	FINISH	MATERIAL	COLOR	PART NO.
PIN		HOUSING		

DIMENSIONS:		TOLERANCES UNLESS OTHERWISE SPECIFIED:		DWN		CHK		APVD		NAME	
mm		0 PLC	± -	S	CARPENTER	08JUN05	R	JONES	12AUG2003	TE Connectivity	
		1 PLC	± -	R	JONES	12AUG2003	R	JONES	12AUG2003	HEADER ASSEMBLY, CLOSED BOTTOM, 12 CKT, DOUBLE ROW VERTICAL, MINI UNIVERSAL MATE-N-LOK	
		2 PLC	± 0.13	PRODUCT SPEC		APPLICATION SPEC		WEIGHT		SIZE	CAGE CODE
		3 PLC	± -	FINISH		WEIGHT		A2		00779	DRAWING NO
		4 PLC	± -	MATERIAL		WEIGHT		C=770621		SCALE	SHEET
		ANGLES	± -	FINISH		WEIGHT		CUSTOMER DRAWING		5:1	1 of 1
			± -	MATERIAL		WEIGHT		CUSTOMER DRAWING		REV	M1

## X-ON Electronics

Largest Supplier of Electrical and Electronic Components

*Click to view similar products for [Pin & Socket Connectors](#) category:*

*Click to view products by [TE Connectivity](#) manufacturer:*

Other Similar products are found below :

[6450822-1](#) [770392-1](#) [794042-1](#) [796885-1](#) [8-794535-1](#) [881459-2](#) [R929993003](#) [1-350779-3](#) [1403611-1](#) [1-480349-5](#) [1586092-1](#) [1586129-1](#)  
[1586487-1](#) [1586681-4](#) [1586700-1](#) [1586065-1](#) [1586077-1](#) [1586368-1](#) [1586380-1](#) [1586680-5](#) [1586681-2](#) [1604996-1](#) [16-06-0038](#) [164164-5](#) [1-](#)  
[6609930-1](#) [172296-1](#) [1-794714-6](#) [19-09-2035](#) [1969804-1](#) [200503-1](#) [200788-2](#) [201046-7](#) [202648-4](#) [2029076-2](#) [2029090-4](#) [2029095-4](#) [2-](#)  
[66102-6](#) [925061-7](#) [926681-1](#) [293734-4](#) [293737-2](#) [1-765362-4](#) [1-794606-3](#) [1871534-1](#) [1969795-1](#) [1969798-1](#) [1969800-1](#) [200833-4](#)  
[2008625-2](#) [2029027-2](#)