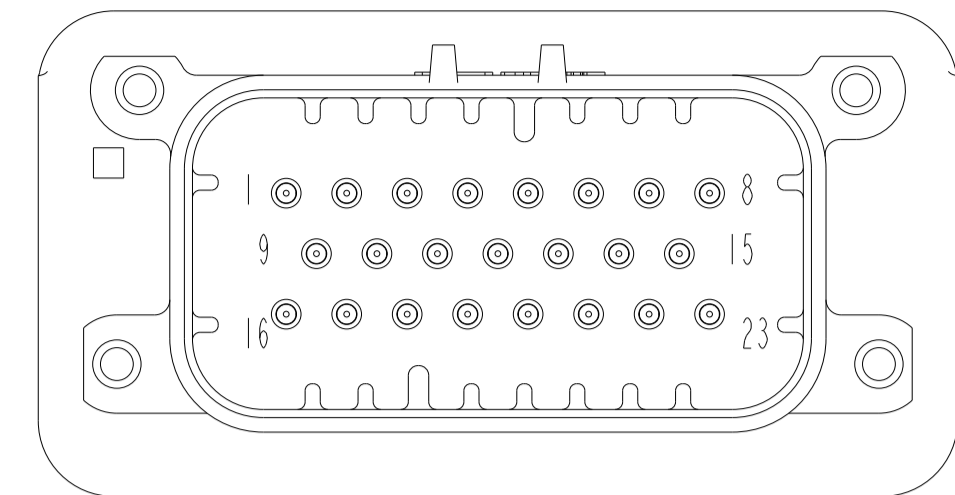
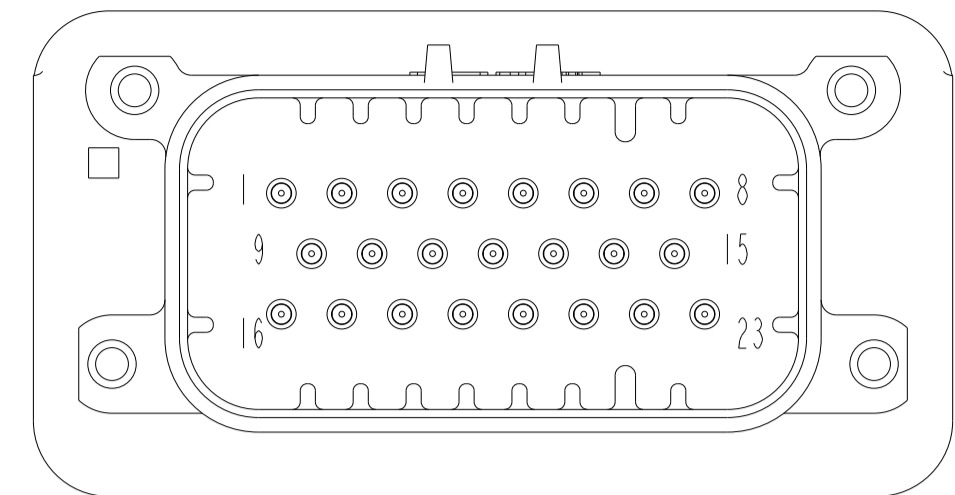


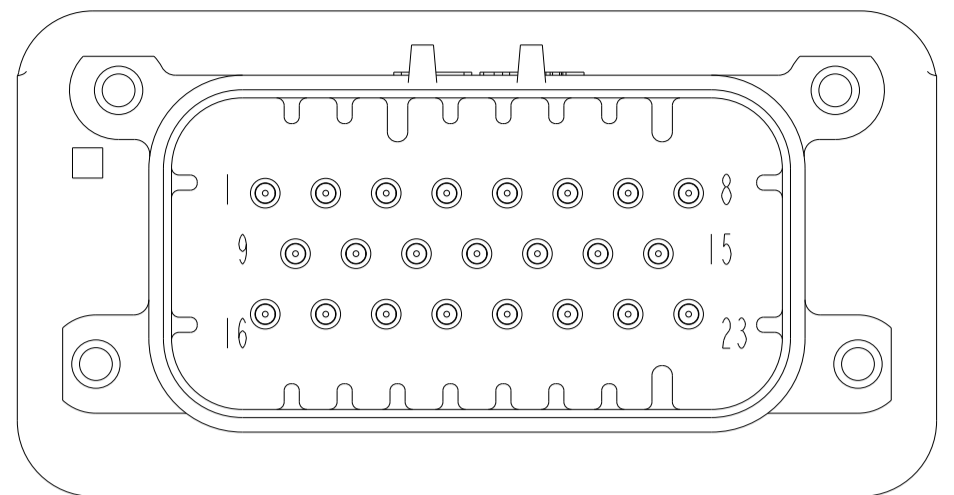
REVISIONS				
P	LTN	DESCRIPTION	DATE	APVD
K12		REVISED PER ECO-19-009419	20JUN2019	DS DS
K13		REVISED PER ECO-20-004256	26MAR2020	JM DS
K14		REVISED PER PCN E-20-016603	24NOV2020	PN DS
L		REVISED PER ECN-21-123056	08NOV2021	DK CB



770669-2 & 1-770669-2  
 KEY LOCATION  
 SCALE 2:1

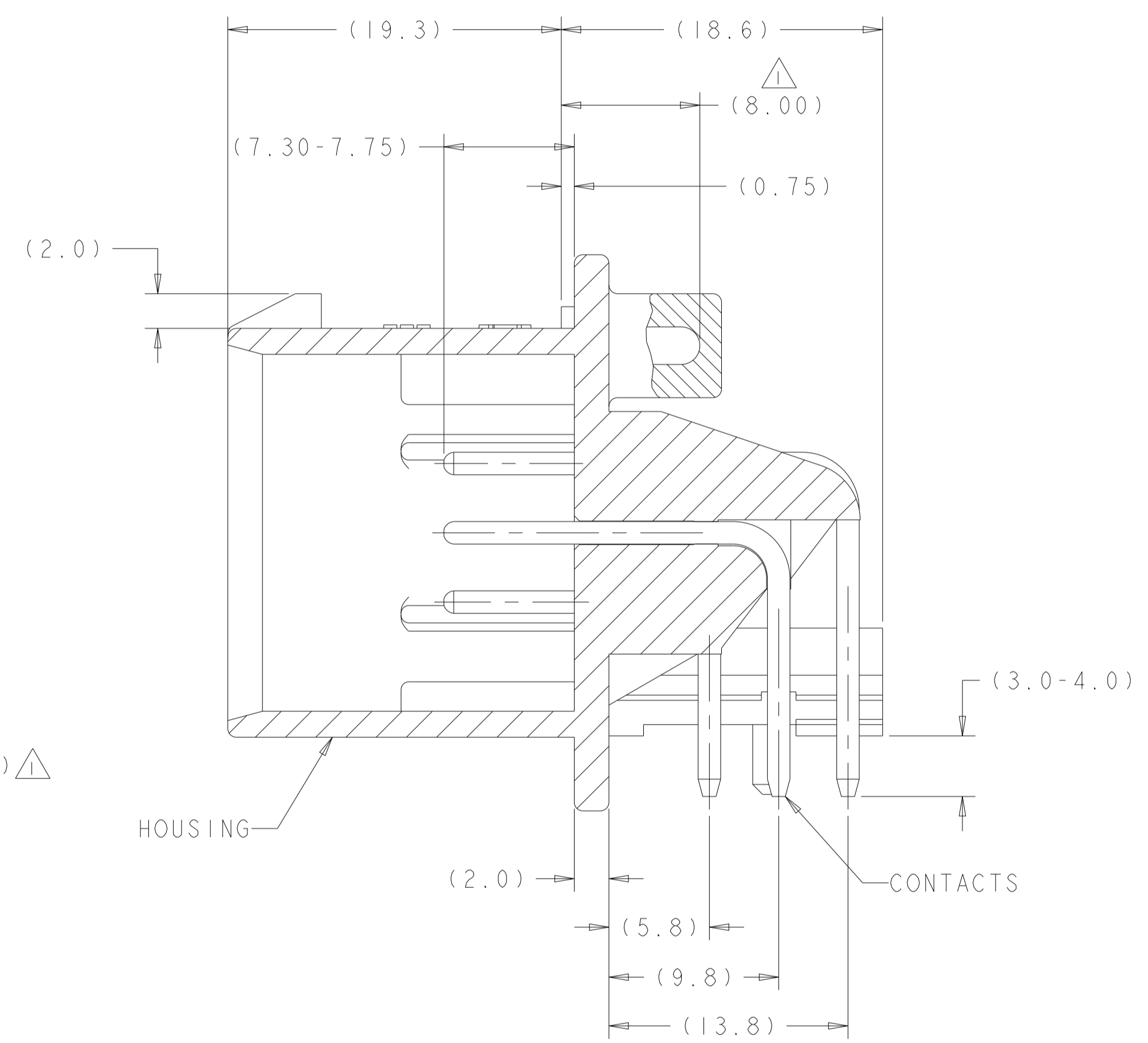
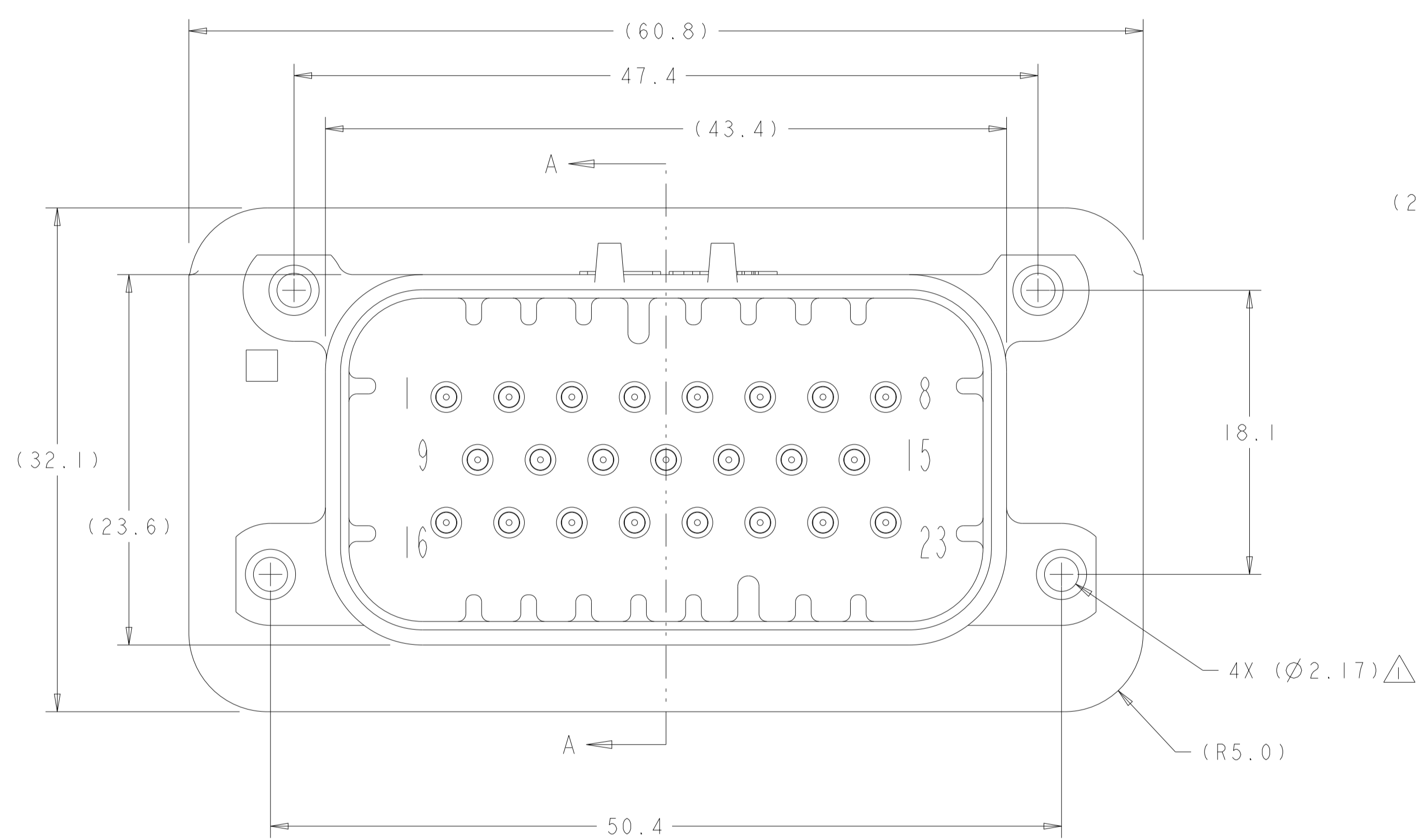


770669-4 & 1-770669-4  
 KEY LOCATION  
 SCALE 2:1



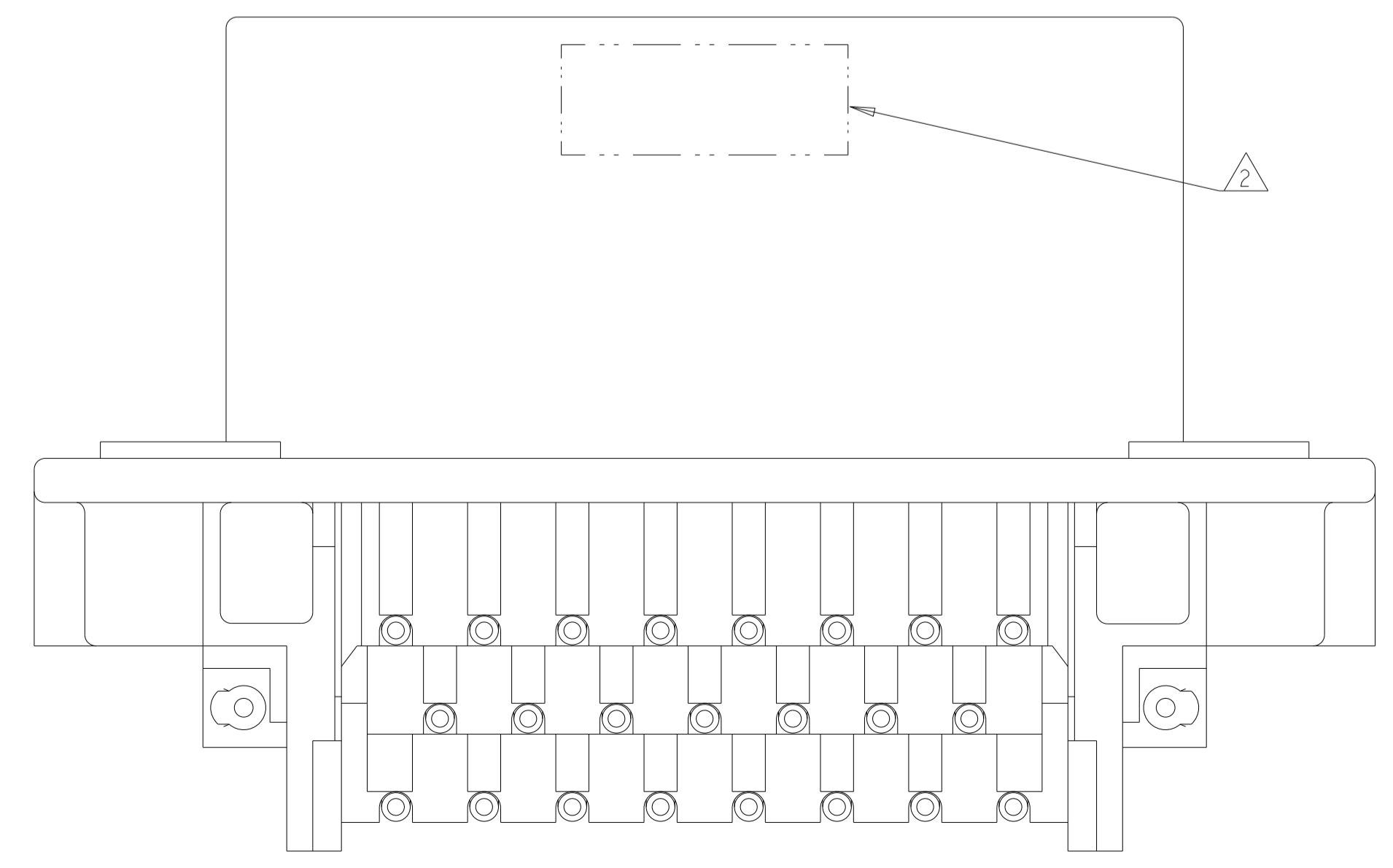
770669-5 & 1-770669-5  
 KEY LOCATION  
 SCALE 2:1

- 1. SUGGESTED MOUNTING SCREW SIZE IS  $\varnothing 2.50-3.00\text{mm}$  [ $\varnothing 0.099 - 0.118$  INCH] SELF TAPPING THREAD FORMING SCREW, SUCH AS DELTA PT, TO BE DRIVEN AT 0.6-0.8 N-m. THE CUSTOMER SHOULD TEST THE SCREW SIZE AND TYPE IN ORDER TO VERIFY THEIR SELECTION FOR THEIR APPLICATION
- 2. DATE CODE TO BE BRANDED IN THIS LOCATION PER TE SPEC 102-60. USE 5 DIGIT CODE: FIRST 2 DIGITS = YEAR, SECOND 2 DIGITS = WEEK, LAST DIGIT = DAY
- 3. HOUSING COLORS ARE MECHANICALLY KEYPED TO MATE ONLY WITH IDENTICALLY COLORED PLUG ASSEMBLIES
- 4. MATERIALS: HEADER HOUSING - GLASS FILLED PBT  
 PINS: TIN OR GOLD PLATED BRASS
- 5. HEADER MATES TO PLUG ASSEMBLY 770680 WHICH USES REELED TERMINALS 770520 OR LOOSE PIECE TERMINALS 770854



SECTION A-A

770669-1 & 1-770669-1  
 KEY LOCATION AS SHOWN



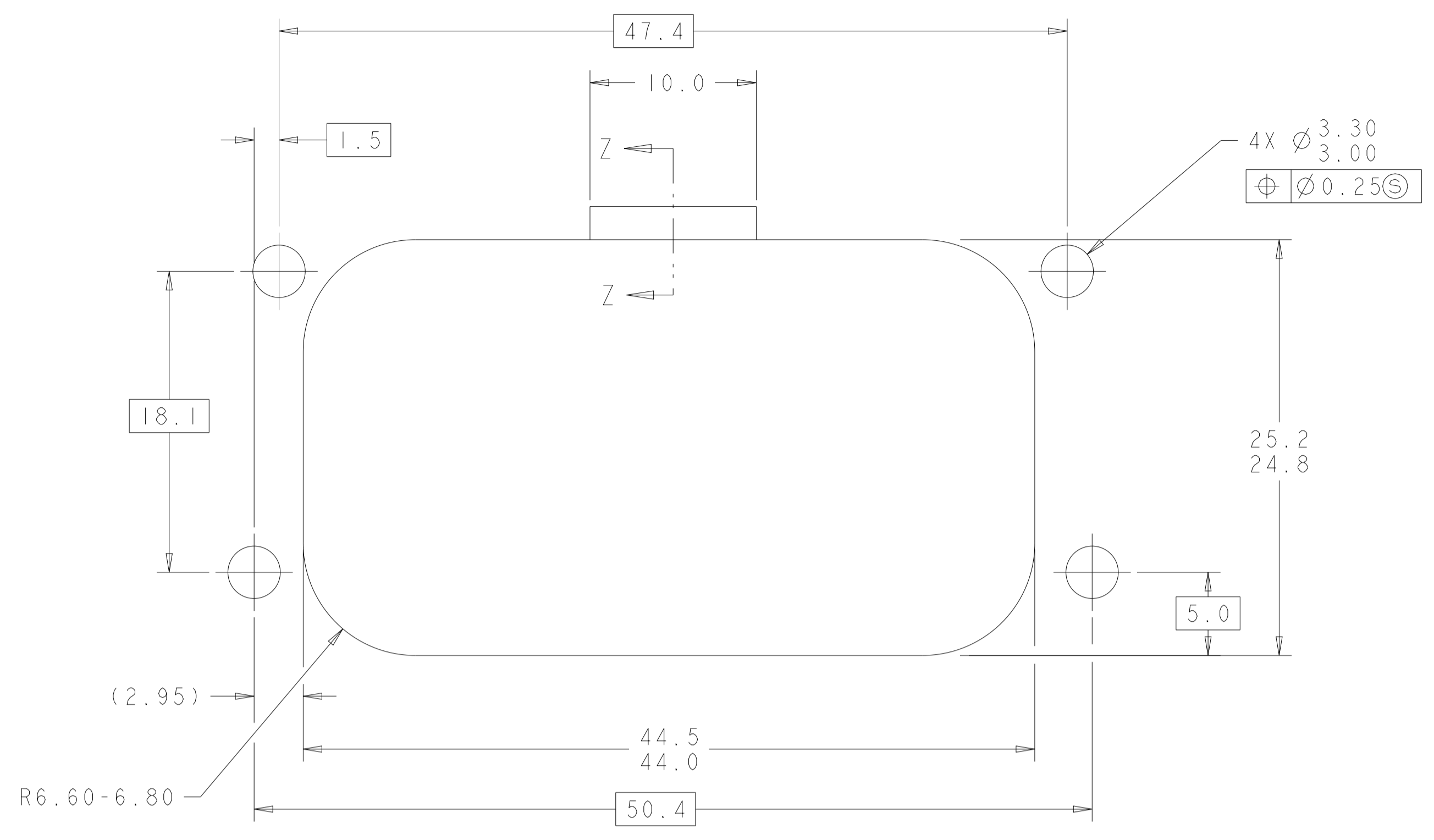
PLATING	HEADER COLOR	PART NUMBER
GOLD	BLUE	1-770669-5
GOLD	GRAY	1-770669-4
GOLD	NATURAL	1-770669-2
GOLD	BLACK	1-770669-1
TIN	BLUE	770669-5
TIN	GRAY	770669-4
TIN	NATURAL	770669-2
TIN	BLACK	770669-1

THIS DRAWING IS A CONTROLLED DOCUMENT.

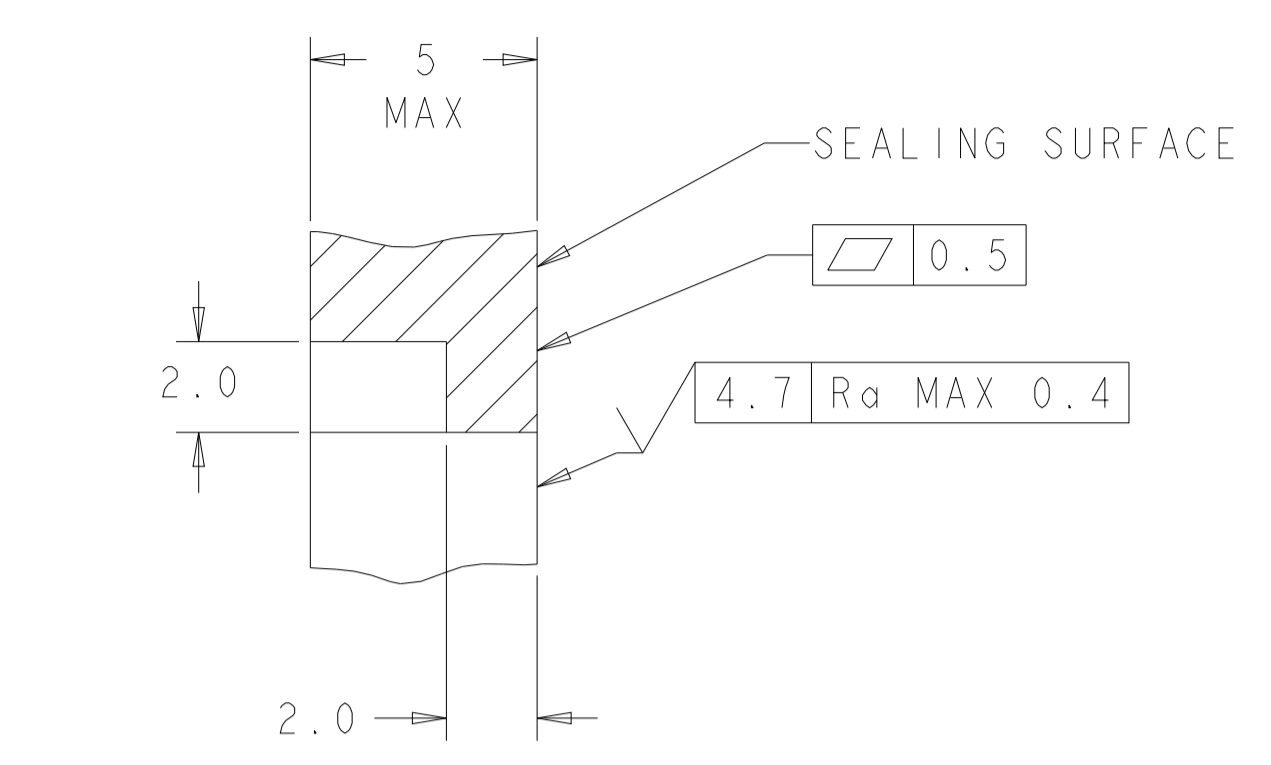
DIMENSIONS:	TOLERANCES UNLESS OTHERWISE SPECIFIED:	OWN: R. VESTAL 31DEC2002	APVD: D. CROWE 31DEC2002
mm	0 PLC ±0.2	CHK: D. CROWE 31DEC2002	NAME: HEADER ASSEMBLY, 23 POSITION, RIGHT ANGLE AMPSEAL
	1 PLC ±0.2	PRODUCT SPEC: 108-1329	SIZE: A1
	2 PLC ±0.2	APPLICATION SPEC: 114-16016	WEIGHT: 28.74g
	3 PLC ±0.2	FINISH: 4	CUSTOMER DRAWING
	4 PLC ±0.2	RESTRICTED TO: L	SCALE: 2:1
	ANGLES ±0.1	SHEET: 1 OF 2	REV: L

TE Connectivity

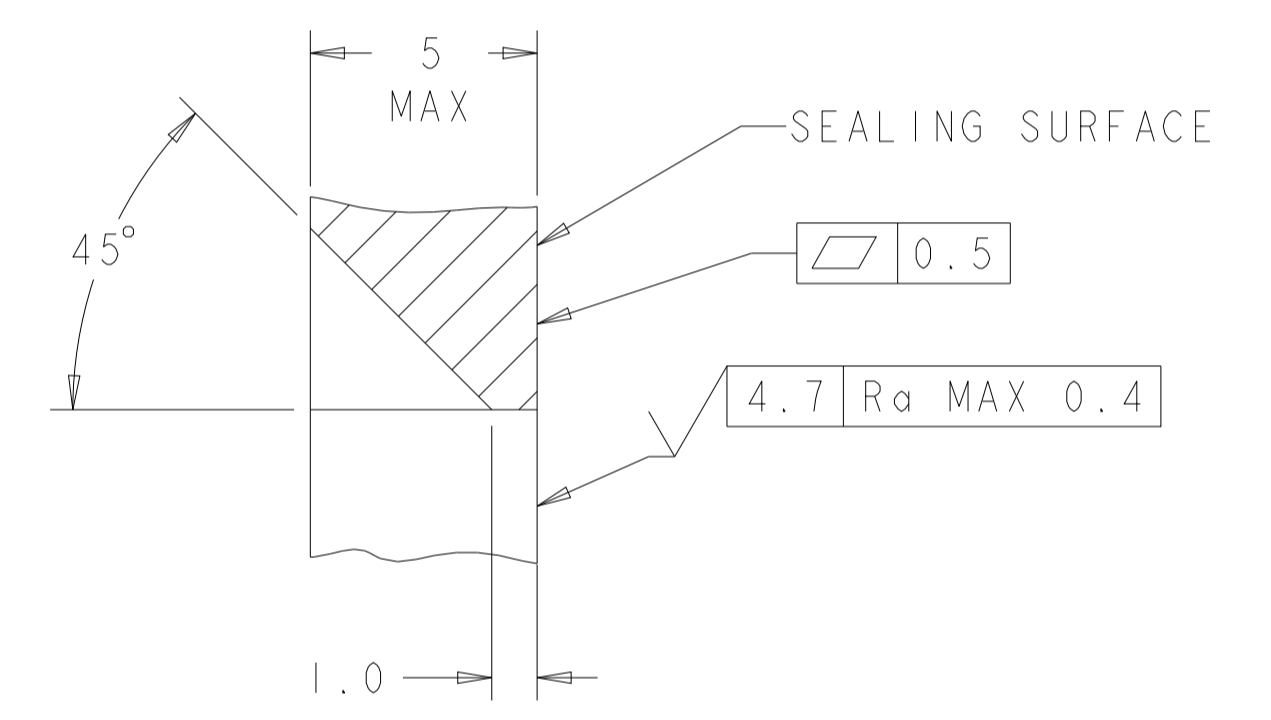
REVISIONS				
P.	LTN.	DESCRIPTION	DATE	APVD.
-	-	SEE SHEET 1	-	-



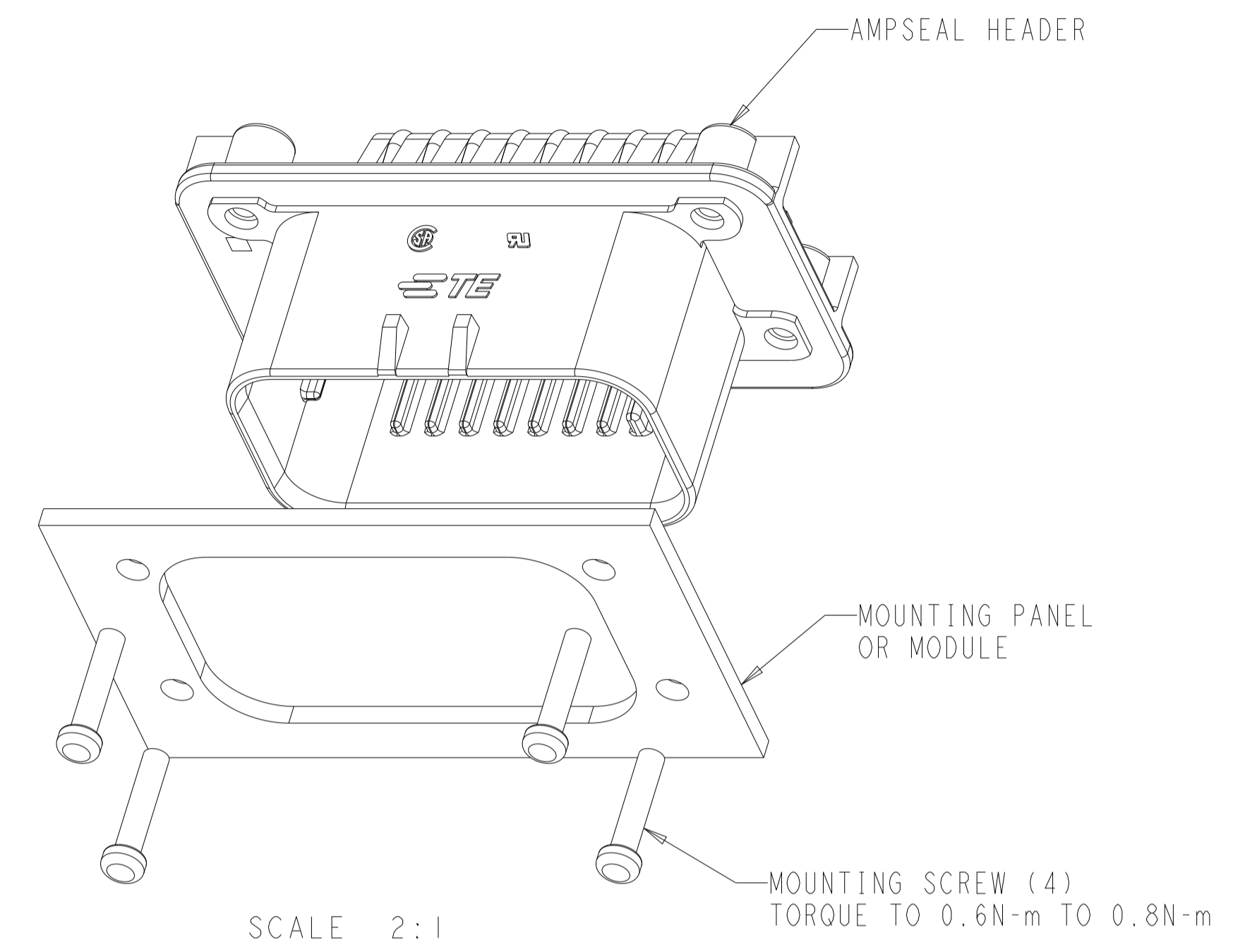
RECOMMENDED MOUNTING HOLE LAYOUT FOR 5.0 MAX THICK PANEL



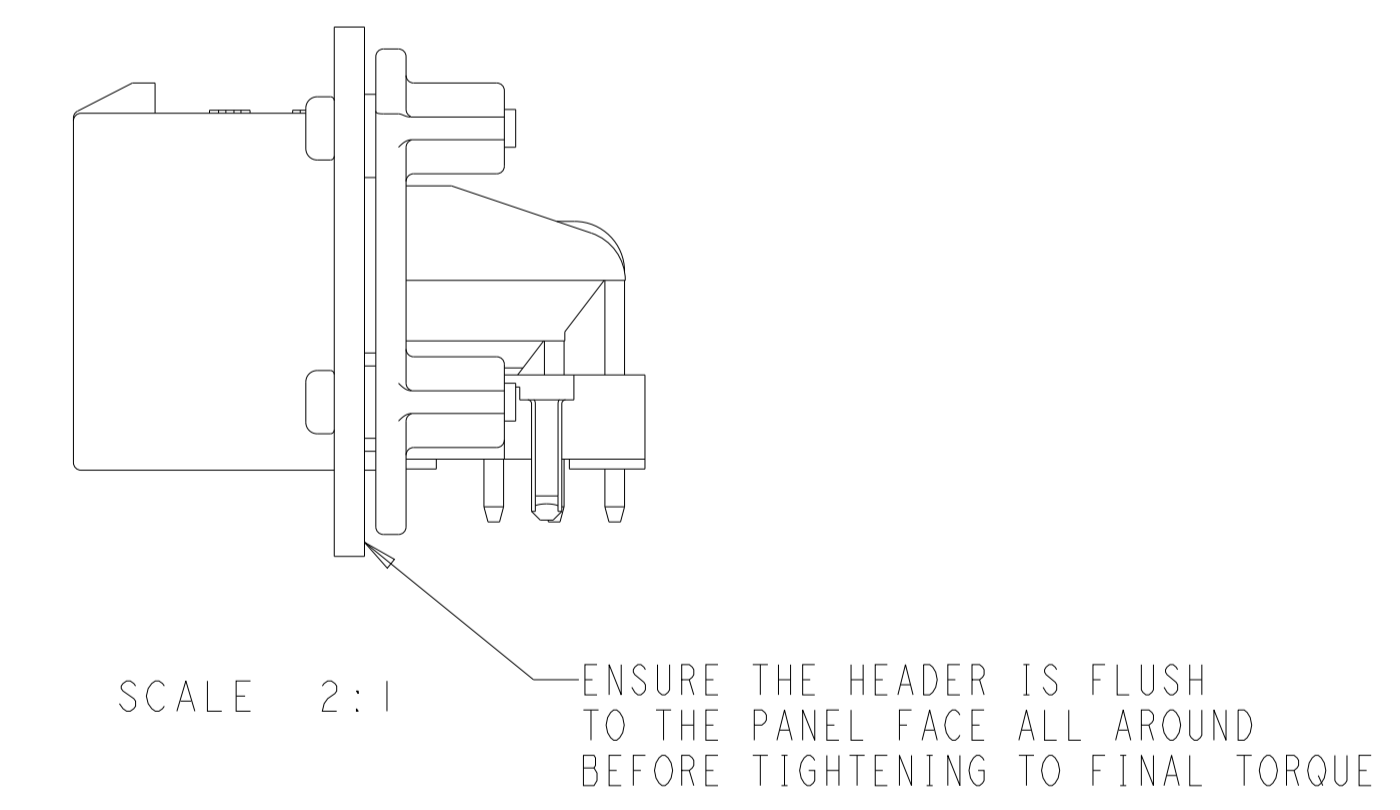
SECTION Z-Z  
 OPTIONAL CONSTRUCTION IF THICKNESS IS GREATER THAN 2.0  
 SCALE 6:1



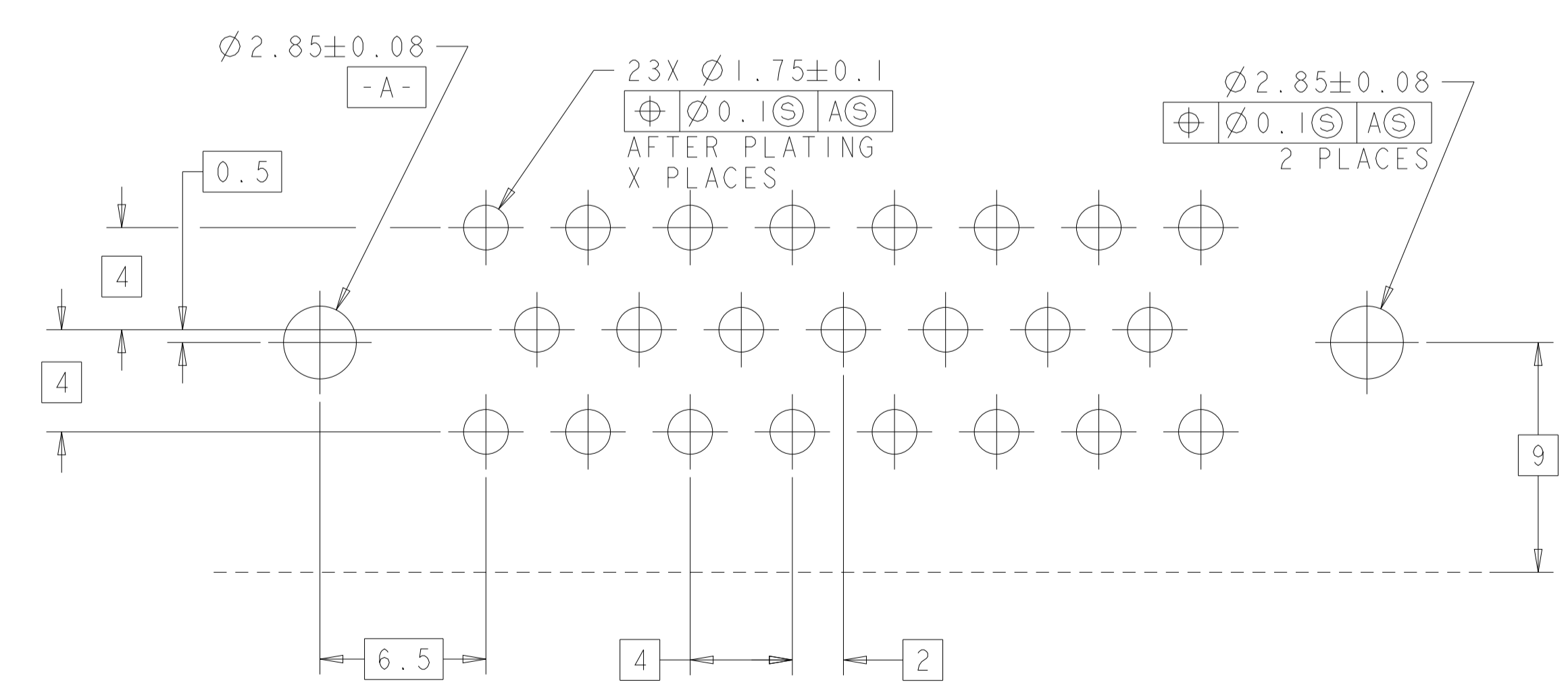
SECTION Z-Z  
 OPTIONAL CONSTRUCTION IF THICKNESS IS GREATER THAN 2.0  
 SCALE 6:1



SCALE 2:1



SCALE 2:1



RECOMMENDED P.C. BOARD LAYOUT FOR 1.57 THICK P.C. BOARD

THIS DRAWING IS A CONTROLLED DOCUMENT.		OWN: R. VESTAL 31DEC2002	TE Connectivity
DIMENSIONS: mm		CHK: D. CROWE 31DEC2002	
TOLERANCES UNLESS OTHERWISE SPECIFIED:		APVD: D. CROWE 31DEC2002	NAME: HEADER ASSEMBLY, 23 POSITION, RIGHT ANGLE AMPSEAL
0 PLC	±	PRODUCT SPEC	SIZE: 108-1329
1 PLC	±0.2	APPLICATION SPEC	CAGE CODE: 114-16016
2 PLC	±	FINISH	WEIGHT: 28.74g
3 PLC	±		CUSTOMER DRAWING
4 PLC	±		SCALE: 2:1
ANGLES	±		SHEET: 2 OF 2
			REV: L

## X-ON Electronics

Largest Supplier of Electrical and Electronic Components

*Click to view similar products for [Automotive Connectors](#) category:*

*Click to view products by [TE Connectivity](#) manufacturer:*

Other Similar products are found below :

[003-018-000](#) [60403001](#) [60993906-B](#) [M902-2131](#) [M902-2161](#) [M902-2344](#) [72.330.1035.1](#) [73.353.4028.0](#) [F119300-B](#) [F166900](#) [F258300-B](#)  
[F358300-B](#) [F407400](#) [F444110](#) [F487000](#) [F509500B-B](#) [827153-1](#) [8N1515-32-24P](#) [9-1326729-8](#) [925474-1](#) [928905-1](#) [964562-4](#) [968782-1](#)  
[GT17SA-8DS-HU](#) [98891-1012](#) [98947-1016](#) [12004147](#) [12004475-L](#) [12010290](#) [12010309-B](#) [12015454](#) [12020219-B](#) [12041318-B](#) [12052225-](#)  
[L](#) [12052466](#) [12064869](#) [12004327-B](#) [12015308](#) [12015384](#) [12015909](#) [1-21030-1](#) [12041254](#) [12041318](#) [12047946-B](#) [12047957](#) [12047957-L](#)  
[12059473](#) [12066261](#) [12110546](#) [12110546-B](#)