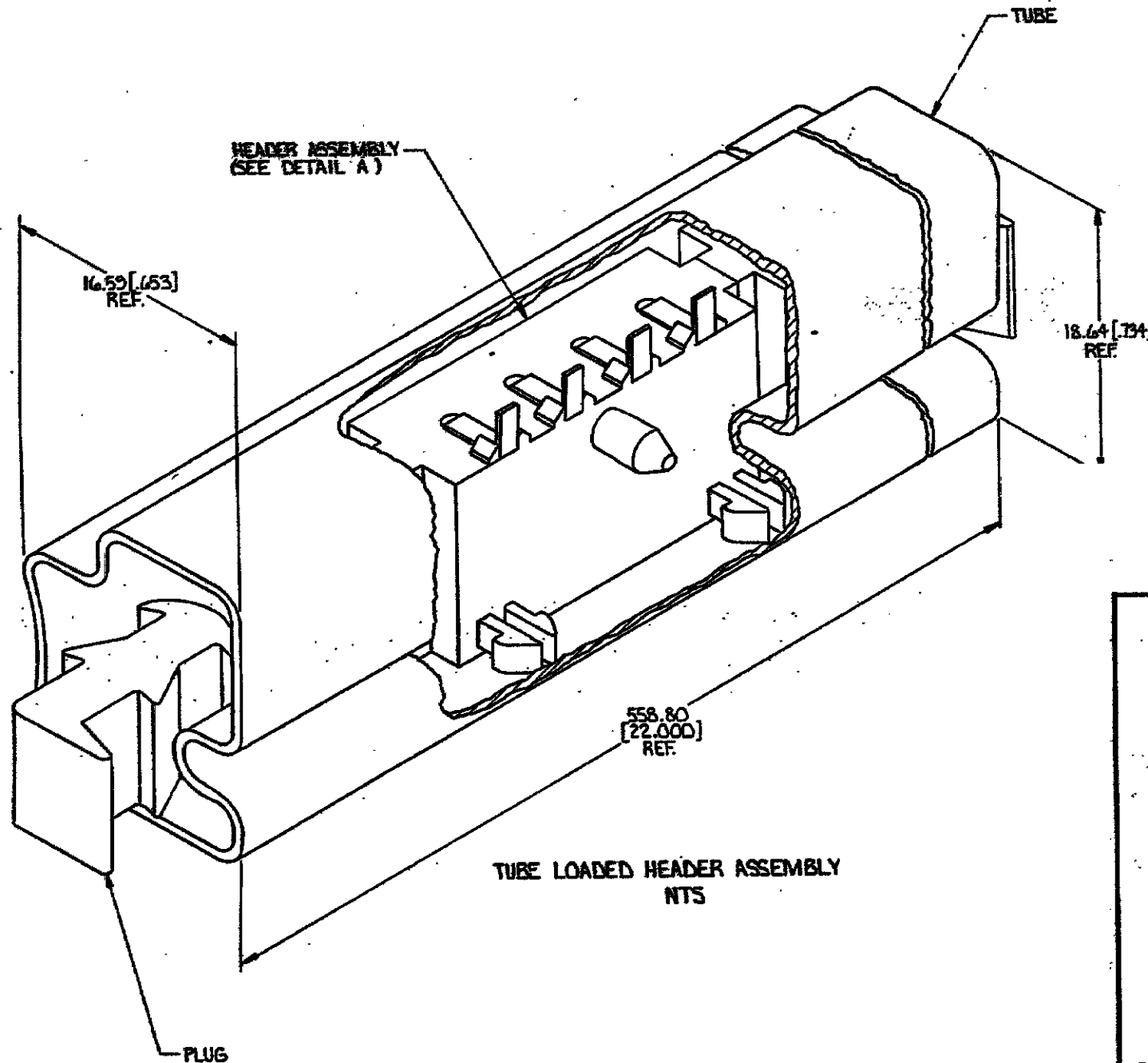


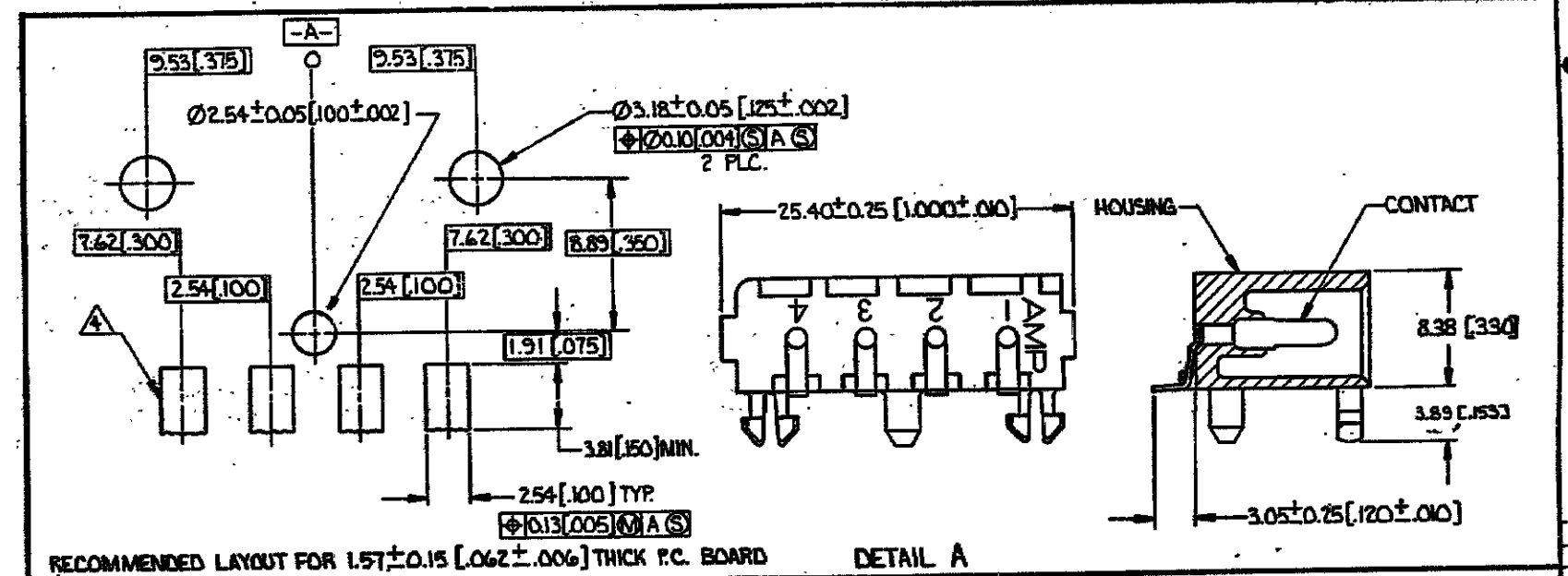
DRAWING MADE IN THIRD ANGLE PROJECTION

THIS DRAWING IS UNPUBLISHED. RELEASED FOR PUBLICATION
 © COPYRIGHT 1981 BY AMP INCORPORATED, HARRISBURG, PA. ALL INTERNATIONAL RIGHTS RESERVED. AMP PRODUCTS MAY BE COVERED BY U.S. AND FOREIGN PATENTS AND/OR PATENTS PENDING.

REVISIONS				
REV	ZONE/LTR	DESCRIPTION	DATE	APPROVED
C		REV PER ECN CM-3500	9-2-91	DS
D		REV PER ECN CM-3560	11-8-91	DS
E		REV PER ECN CM-3757	4-15-92	DS



- 1 PARTS COMPLY WITH AMP SPEC 109-11-3.
- 2 MATERIAL: HOUSING-NYLON, UL94V-2 (BLACK)
100% VIRGIN (NO REGRIND)
CONTACT-COPPER ALLOY, PRE-TIN PLATED.
- 3 DIMENSIONS IN BRACKETS ARE IN INCHES.
- 4 0.25[.010] MIN THICK SOLDER PASTE, 63/27 TIN-LEAD.



METRIC

20	2	4	770829 -1
HEADER ASSEMBLY	PLUG	NUMBER OF POSITIONS	PART NUMBER
QTY PER TUBE		HEADER ASSEMBLY	

UNLESS OTHERWISE SPECIFIED DIMENSIONS ARE IN MM TOLERANCES ON: DECIMALS ±0.13 [.005] ANGLES ±	CONTRACT NO	AMP INCORPORATED Harrisburg, Pa. 17105	
	OR P.C. 3-14-91	NAME	HEADER ASSEMBLY, RIGHT ANGLE, 4 CIRCUIT, TUBE LOADED, COMMERCIAL MATE-N-LOK
MATERIAL	CHK P. King 3-15-91	SIZE	PCBM NO
FINISH	APPR P. King 3-18-91	D	00779
	DSGN APPD	DRAWING NO	770829
	OTHER APPD	SCALE 4:1	SHEET 1 OF 1

CUSTOMER DRAWING

X-ON Electronics

Largest Supplier of Electrical and Electronic Components

Click to view similar products for [Pin & Socket Connectors](#) category:

Click to view products by [TE Connectivity](#) manufacturer:

Other Similar products are found below :

[6450822-1](#) [770392-1](#) [794042-1](#) [796885-1](#) [8-794535-1](#) [PLR3455ACS-222](#) [R929991004](#) [R929993003](#) [1403611-1](#) [1-480349-5](#) [152302-5](#)
[153211-2](#) [1586092-1](#) [1586129-1](#) [1586681-4](#) [1586700-1](#) [1586368-1](#) [1586380-1](#) [1586616-1](#) [1586680-5](#) [16-06-0038](#) [164164-5](#) [1-6609930-1](#)
[172296-1](#) [19-09-2035](#) [200503-1](#) [200788-2](#) [2029090-4](#) [2029095-4](#) [925061-7](#) [293734-4](#) [293737-2](#) [1-765362-4](#) [1871534-1](#) [200833-4](#)
[2008625-2](#) [2029027-2](#) [2029096-4](#) [R929991000](#) [R929991002](#) [R929993000](#) [319-10-101-00-005000](#) [319-10-102-00-001000](#) [319-10-104-00-001000](#) [319-10-105-00-001000](#) [319-10-108-00-001000](#) [319-10-112-00-006000](#) [39-01-8019](#) [319-10-101-00-001000](#) [319-10-102-00-005000](#)