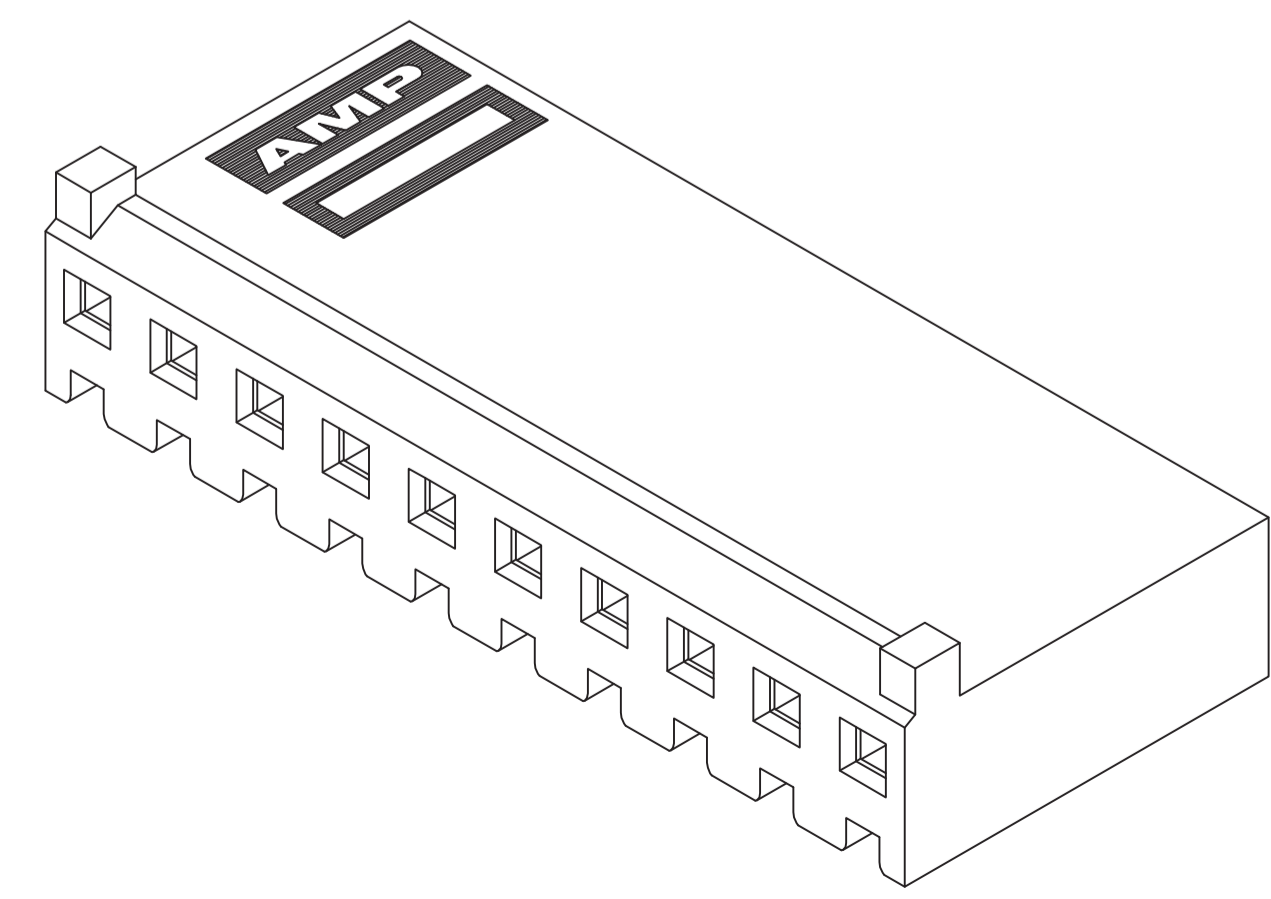
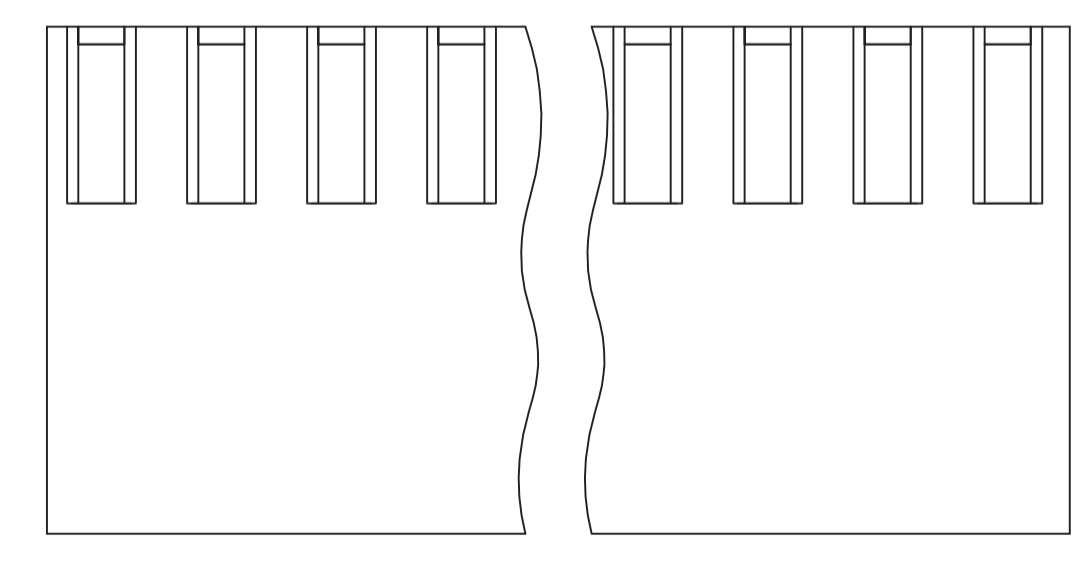
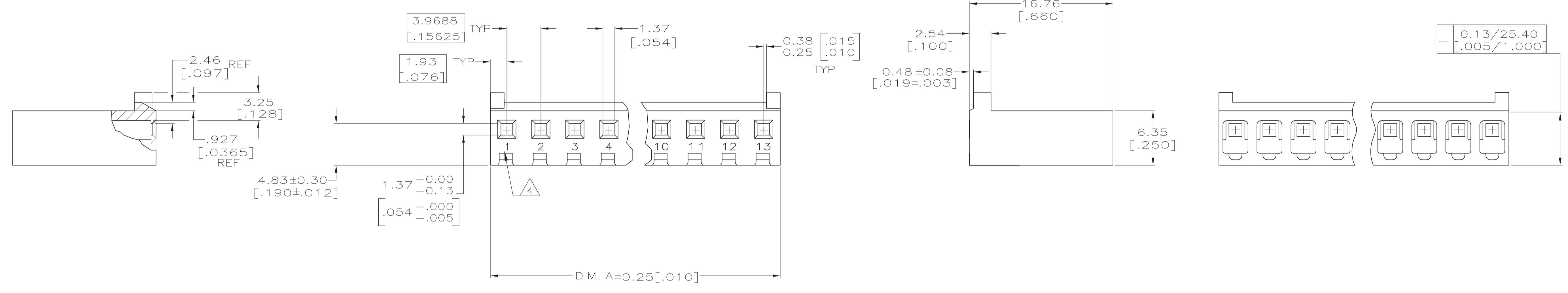
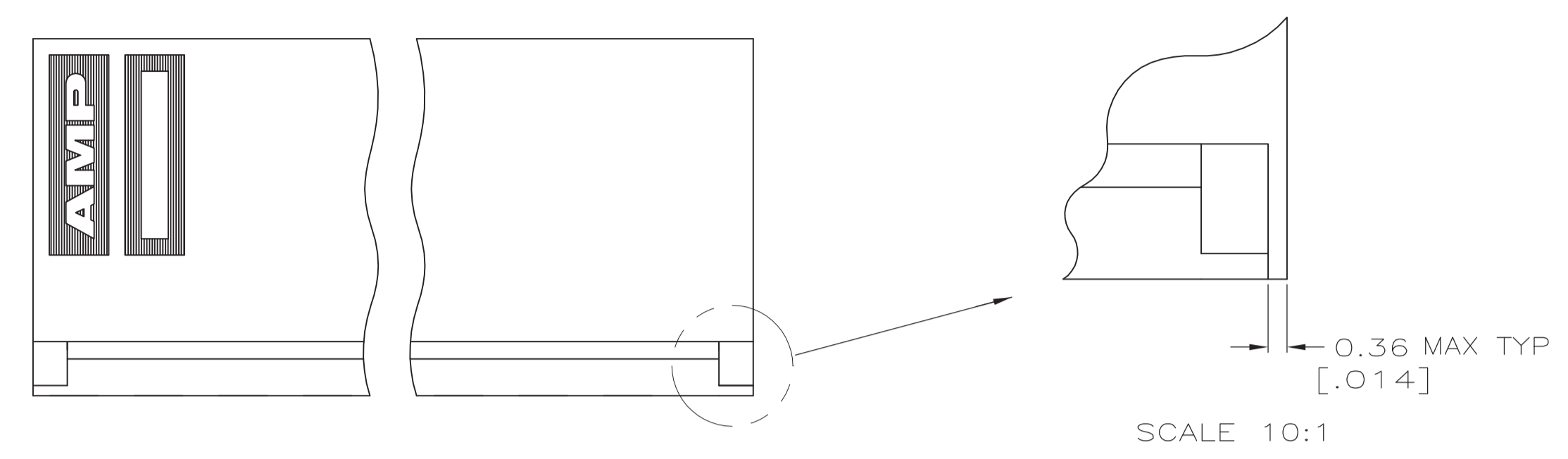


LOC		DIST		REVISIONS			
P	LTR	DESCRIPTION	DATE	DMN	APVD		
P1		REVISED PER ECR-16-005059	12APR16	AQ	DZ		

- 1 UNIT ACCEPTS 1.14[.045] SQUARE OR ROUND POST.
- 2 UNIT ACCEPTS STANDARD SL-156 CONTACTS.
- 3 UNIT ACCEPTS KEYING PLUG 640254-1 AND KEYING PIN 640255-1.
- 4 IDENTIFICATION NUMBER FOR ALL POSITIONS, OR FOR POSITION 1 ONLY, WILL BE LOCATED AS SHOWN.
- 5 DIMENSIONS IN BRACKETS ARE IN INCHES.



1-770849-3 SHOWN

95.15 [3.746]	24	2-770849-4
91.19 [3.590]	23	2-770849-3
87.20 [3.433]	22	2-770849-2
83.24 [3.277]	21	2-770849-1
79.27 [3.121]	20	2-770849-0
75.31 [2.965]	19	1-770849-9
71.30 [2.807]	18	1-770849-8
67.34 [2.651]	17	1-770849-7
63.40 [2.496]	16	1-770849-6
59.44 [2.340]	15	1-770849-5
55.45 [2.183]	14	1-770849-4
51.49 [2.027]	13	1-770849-3
47.52 [1.871]	12	1-770849-2
43.56 [1.715]	11	1-770849-1
39.57 [1.558]	10	1-770849-0
35.61 [1.402]	9	770849-9
31.65 [1.246]	8	770849-8
27.69 [1.090]	7	770849-7
23.70 [0.933]	6	770849-6
19.74 [0.777]	5	770849-5
15.77 [0.621]	4	770849-4
11.81 [0.465]	3	770849-3
7.82 [0.308]	2	770849-2
DIM A		NO OF POSN
		PART NUMBER

THIS DRAWING IS A CONTROLLED DOCUMENT.

DIMENSIONS: INCHES	TOLERANCES UNLESS OTHERWISE SPECIFIED:	DIN K SALMON 5-22-91	APVD D WORTHINGTON 5-22-91	NAME
0 PLC ± -	1 PLC ± -	CHK R SWING		HOUSING WITH LOCKING RAMP AND POLARIZING TABS, SL-156
2 PLC ± -	3 PLC ± 0.13 [0.005]			SIZE A1
4 PLC ± -	ANGLES ± -			WEIGHT
				CUSTOMER DRAWING

MATERIAL: NYLON, UL 94V-0 NATURAL

SCALE: 4:1 SHEET 1 OF 1 REV P1

X-ON Electronics

Largest Supplier of Electrical and Electronic Components

Click to view similar products for [Headers & Wire Housings](#) category:

Click to view products by [TE Connectivity](#) manufacturer:

Other Similar products are found below :

[95000-104TRLF](#) [10135584-644402LF](#) [DF62W-EP2022PCA](#) [95000-106TRLF](#) [DF62W-2022SCA](#) [DF62W-EP2022PC](#) [2203348](#) [DF62W-2022SC](#) [1084018](#) [1029039](#) [1084017](#) [802-10-012-10-002000](#) [1112640](#) [1112639](#) [000-34000](#) [0009482033](#) [0009507031](#) [57102-S06-03LF](#) [57202-S52-04LF](#) [PCN6-15S-2.5E](#) [0039019024](#) [58102-G61-06LF](#) [582553-1](#) [0009485154](#) [0009508121](#) [0022285053](#) [0050291907](#) [018731A](#) [LY20-4P-DT1-P1E-BR](#) [02.125.8002.8](#) [60101931](#) [60598-1 \(Cut Strip\)](#) [M1625-3R/100](#) [61062-3](#) [61082-181009](#) [636-1427](#) [638009-1](#) [641938-9](#) [641991-4](#) [644168-1](#) [647662-1](#) [65039-019ELF](#) [65817-002LF](#) [65817-015LF](#) [65863-015LF](#) [66207-023LF](#) [67016-026LF](#) [67046-001LF](#) [67095-007LF](#) [67230-005LF](#)