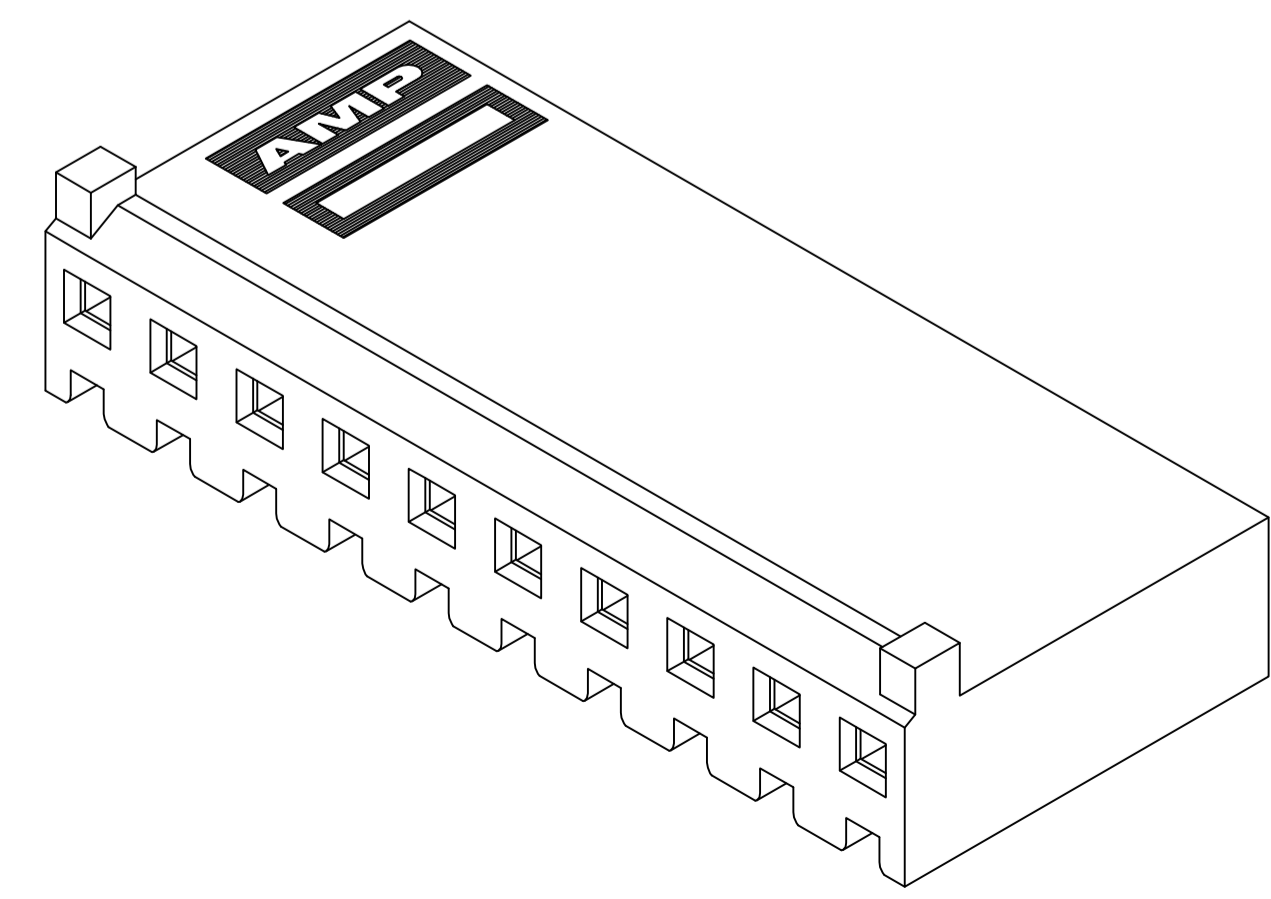
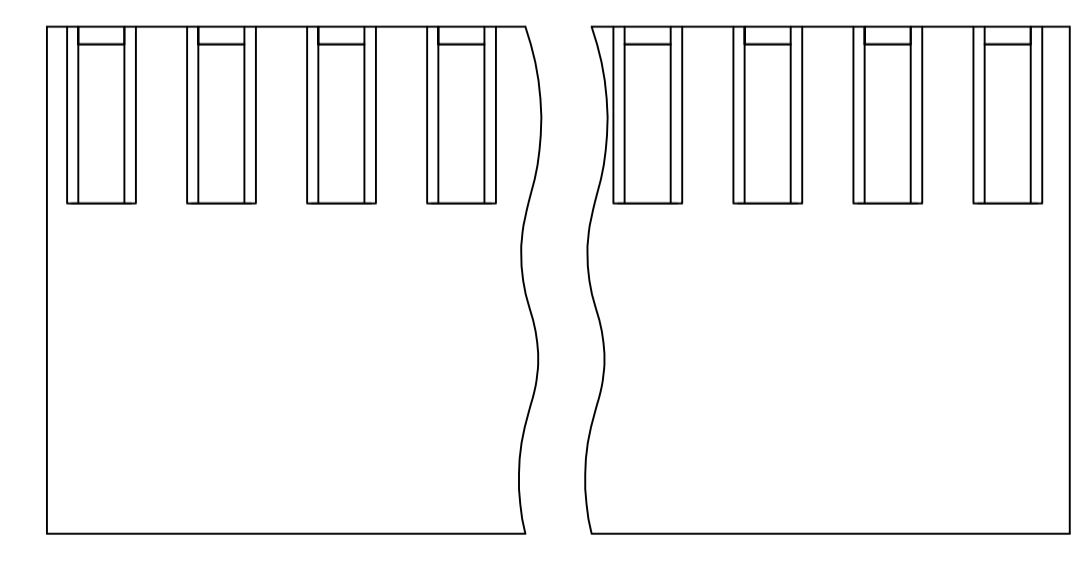
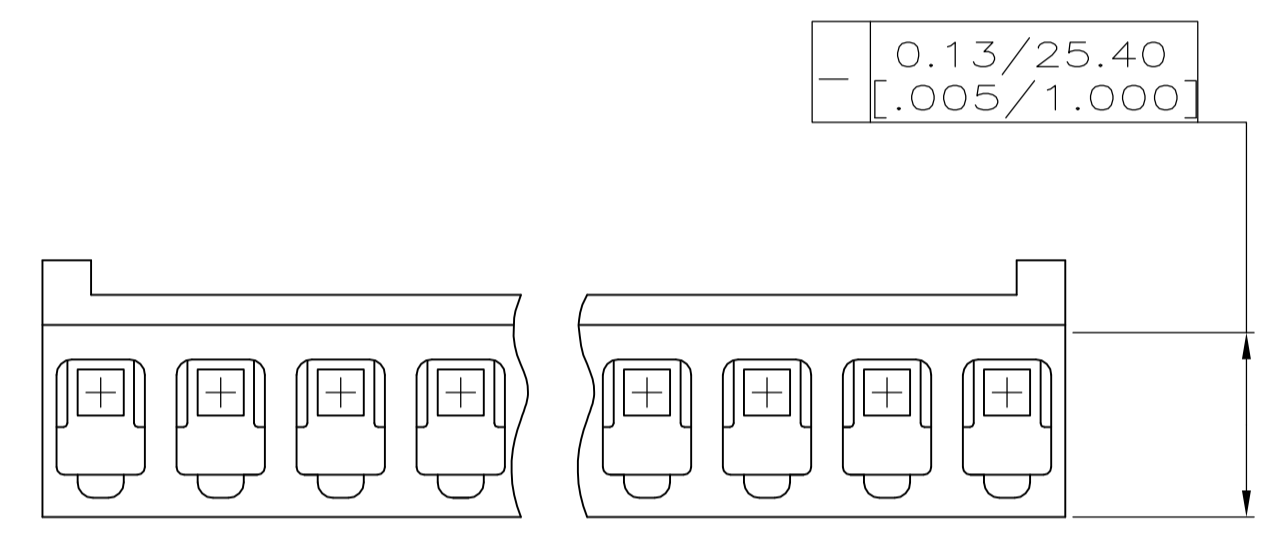
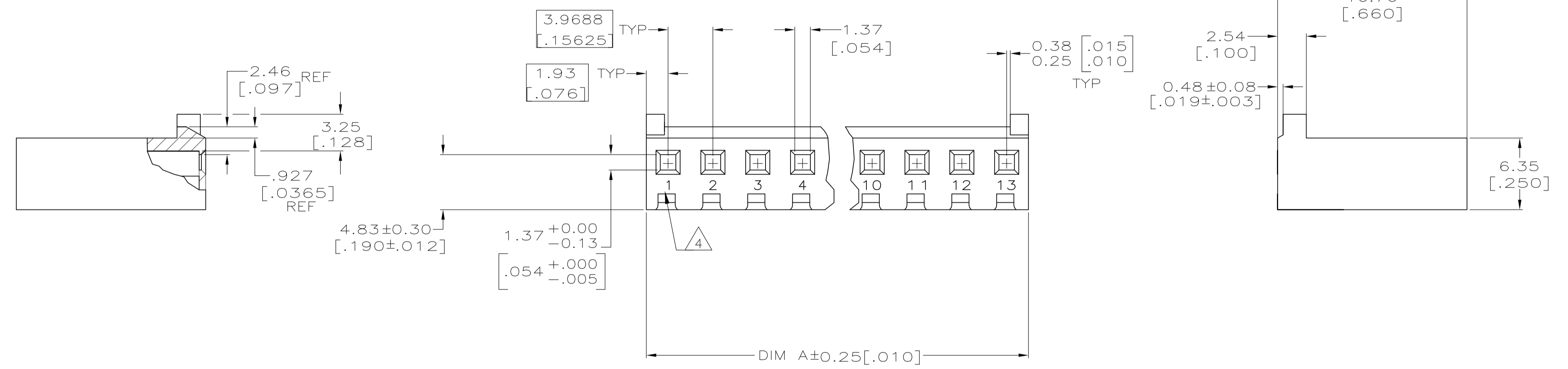
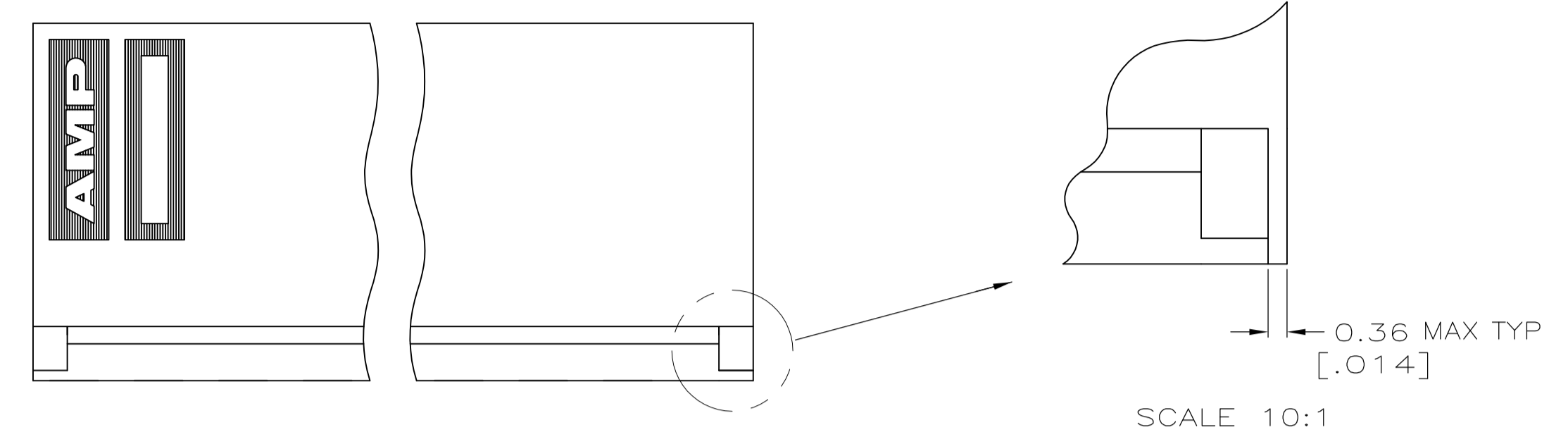


LOC		DIST		REVISIONS			
P	LTR	DESCRIPTION	DATE	DMN	APVD		
P2		REVISED PER ECR-18-001172	26FEB2018	BDA	SG		

- 1 UNIT ACCEPTS 1.14[.045] SQUARE OR ROUND POST.
- 2 UNIT ACCEPTS STANDARD SL-156 CONTACTS.
- 3 UNIT ACCEPTS KEYING PLUG 640254-1 AND KEYING PIN 640255-1.
- 4 IDENTIFICATION NUMBER FOR ALL POSITIONS, OR FOR POSITION 1 ONLY, WILL BE LOCATED AS SHOWN.
- 5 DIMENSIONS IN BRACKETS ARE IN INCHES.
- 6 PARTS UNDERGOING QUALIFICATION TESTING NO CSA/UR LOGO



6	COLOR	DIM A	NO OF POSN	PART NUMBER
	YELLOW	7.82 [.308]	2	8-770849-2
	BROWN	7.82 [.308]	2	7-770849-2
	BLUE	7.82 [.308]	2	6-770849-2
	RED	7.82 [.308]	2	5-770849-2
	GRAY	7.82 [.308]	2	4-770849-2
	BLACK	7.82 [.308]	2	3-770849-2
	NATURAL	95.15[3.746]	24	2-770849-4
	NATURAL	91.19[3.590]	23	2-770849-3
	NATURAL	87.20[3.433]	22	2-770849-2
	NATURAL	83.24[3.277]	21	2-770849-1
	NATURAL	79.27[3.121]	20	2-770849-0
	NATURAL	75.31[2.965]	19	1-770849-9
	NATURAL	71.30[2.807]	18	1-770849-8
	NATURAL	67.34[2.651]	17	1-770849-7
	NATURAL	63.40[2.496]	16	1-770849-6
	NATURAL	59.44[2.340]	15	1-770849-5
	NATURAL	55.45[2.183]	14	1-770849-4
	NATURAL	51.49[2.027]	13	1-770849-3
	NATURAL	47.52[1.871]	12	1-770849-2
	NATURAL	43.56[1.715]	11	1-770849-1
	NATURAL	39.57[1.558]	10	1-770849-0
	NATURAL	35.61[1.402]	9	770849-9
	NATURAL	31.65[1.246]	8	770849-8
	NATURAL	27.69[1.090]	7	770849-7
	NATURAL	23.70[.933]	6	770849-6
	NATURAL	19.74[.777]	5	770849-5
	NATURAL	15.77[.621]	4	770849-4
	NATURAL	11.81[.465]	3	770849-3
	NATURAL	7.82[.308]	2	770849-2

1-770849-3 SHOWN

THIS DRAWING IS A CONTROLLED DOCUMENT.

DIMENSIONS: INCHES	TOLERANCES UNLESS OTHERWISE SPECIFIED:	DIN K SALMON 5-22-91	CHK R SWING 5-22-91	APVD D WORTHINGTON 5-22-91	NAME		
0 PLC ± -	1 PLC ± -	TE Connectivity HOUSING WITH LOCKING RAMP AND POLARIZING TABS, SL-156			RESTRICTED TO		
2 PLC ± -	3 PLC ± 0.13 [.005]				SIZE	CAGE CODE	DRAWING NO
4 PLC ± -	ANGLES ± -				WEIGHT	A1	00779
MATERIAL NYLON,UL 94V-0 NATURAL	FINISH -				CUSTOMER DRAWING	SCALE 4:1	SHEET 1 OF 1

X-ON Electronics

Largest Supplier of Electrical and Electronic Components

Click to view similar products for [Headers & Wire Housings](#) category:

Click to view products by [TE Connectivity](#) manufacturer:

Other Similar products are found below :

[95000-104TRLF](#) [10135584-644402LF](#) [DF62W-EP2022PCA](#) [95000-106TRLF](#) [DF62W-2022SCA](#) [DF62W-EP2022PC](#) [2203348](#) [DF62W-2022SC](#) [1084018](#) [1029039](#) [1084017](#) [802-10-012-10-002000](#) [1112640](#) [1112639](#) [000-34000](#) [0009482033](#) [0009507031](#) [57102-S06-03LF](#) [57202-S52-04LF](#) [PCN6-15S-2.5E](#) [0039019024](#) [58102-G61-06LF](#) [582553-1](#) [0009485154](#) [0009508121](#) [0022285053](#) [0050291907](#) [018731A](#) [LY20-4P-DT1-P1E-BR](#) [02.125.8002.8](#) [60101931](#) [60598-1 \(Cut Strip\)](#) [M1625-3R/100](#) [61062-3](#) [61082-181009](#) [636-1427](#) [638009-1](#) [641938-9](#) [641991-4](#) [644168-1](#) [647662-1](#) [65039-019ELF](#) [65817-002LF](#) [65817-015LF](#) [65863-015LF](#) [66207-023LF](#) [67016-026LF](#) [67046-001LF](#) [67095-007LF](#) [67230-005LF](#)