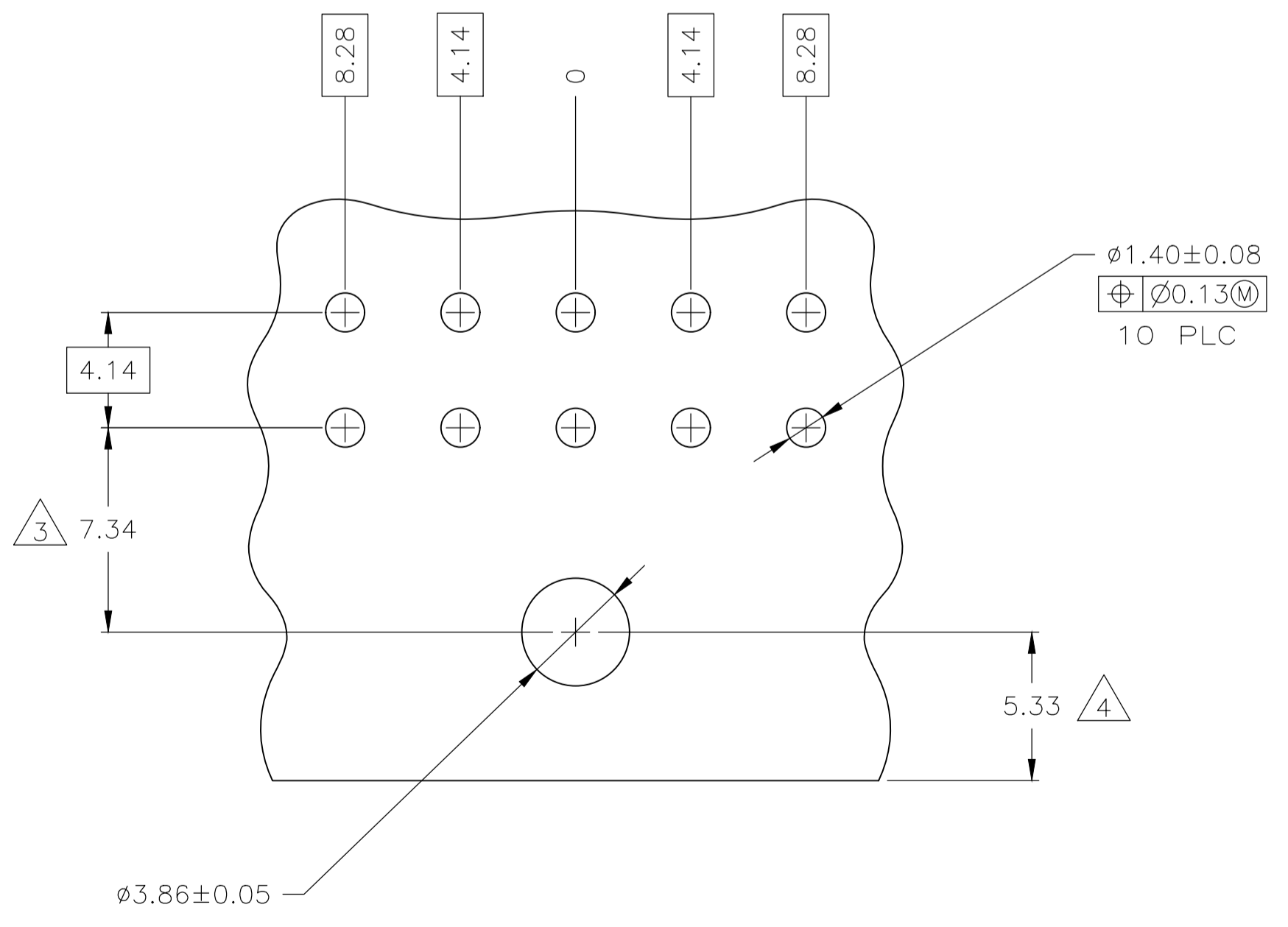
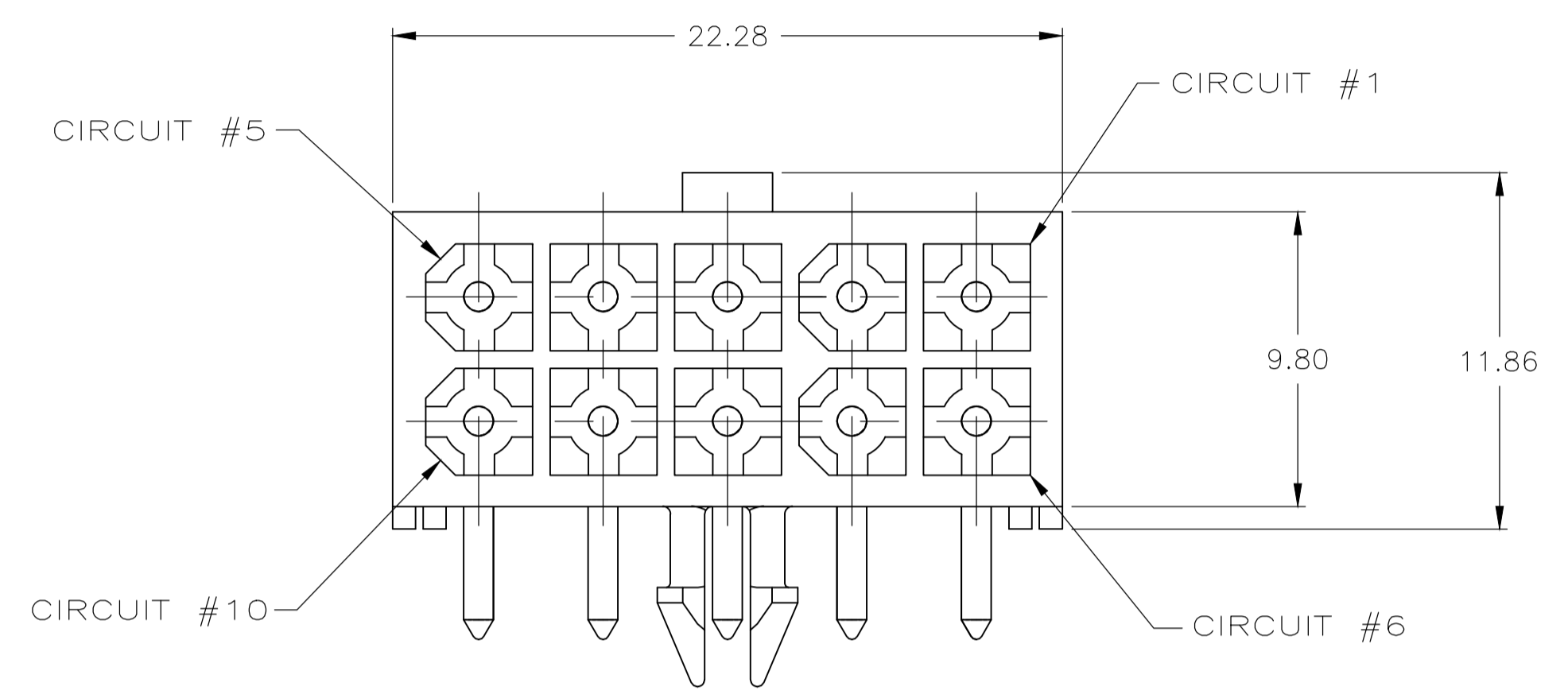
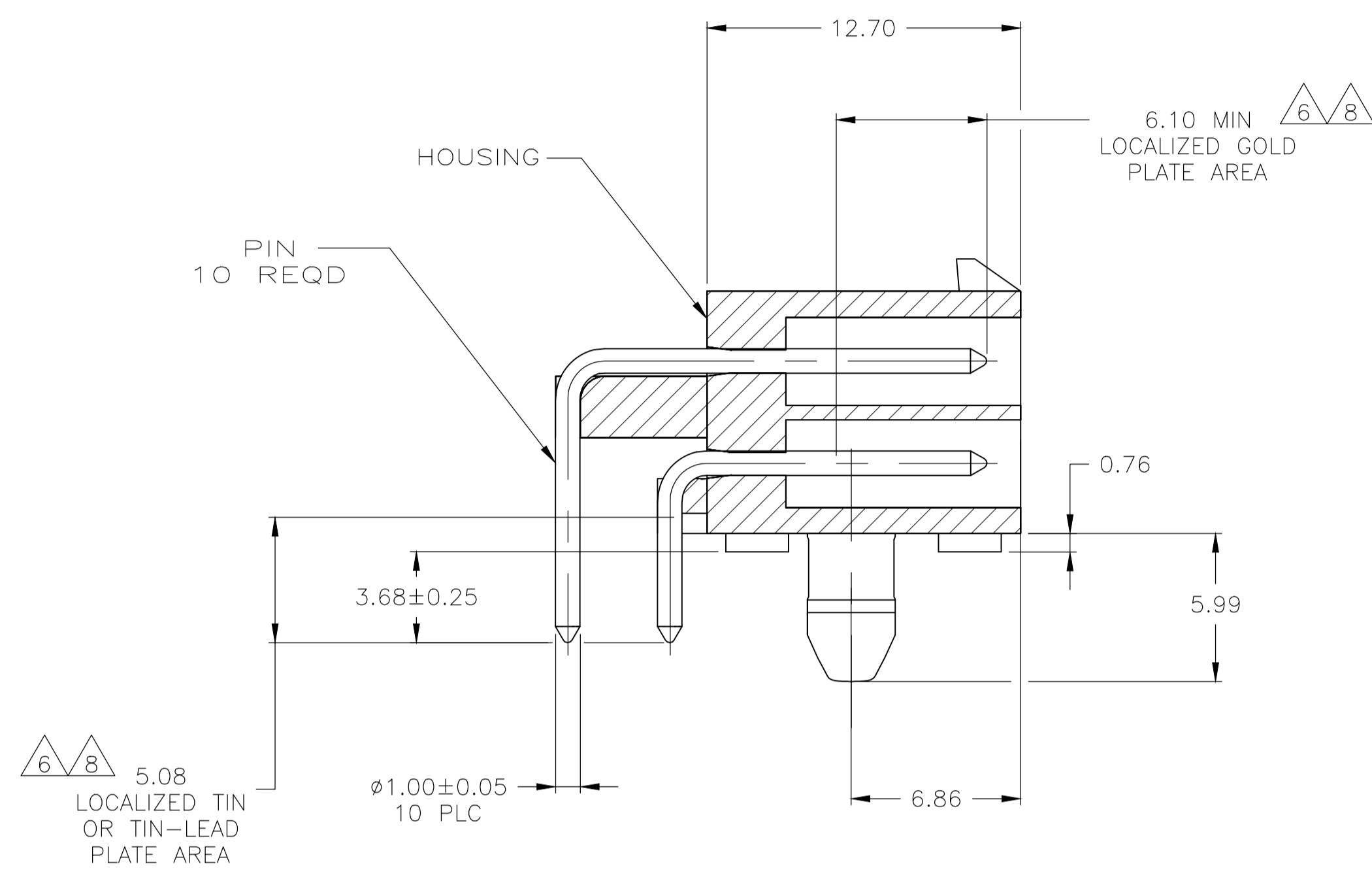


|     |      |           |     |                           |           |     |      |
|-----|------|-----------|-----|---------------------------|-----------|-----|------|
| LOC | DIST | REVISIONS |     |                           |           |     |      |
| CM  | 00   | P         | LTR | DESCRIPTION               | DATE      | DWN | APVD |
|     |      | H1        |     | REVISED PER ECR-18-005392 | 23JUL2015 | BDA | SG   |



RECOMMENDED MOUNTING HOLE PATTERN FOR 1.57 THICK P.C. BOARD

- PINS TO COMPLY WITH AMP SOLDERABILITY SPEC 109-11-3.
- MATES WITH PLUG P/N 770580-1.
- COORDINATE DIMENSION APPLIES FROM CENTER OF ACTUAL FEATURE.
- RECOMMENDED FOR EDGE MOUNTING.
- 0.00381 MIN MATTE TIN LEAD OVER 0.00127 MIN NICKEL ENTIRE LENGTH OF PIN.
- 0.00076 MIN GOLD PLATE IN THE LOCALIZED PLATE AREA, 0.00381 MIN MATTE TIN LEAD IN THE LOCALIZED PLATE AREA, BOTH OVER 0.00127 MIN NICKEL.
- 0.00381 MIN MATTE TIN OVER 0.00127 MIN NICKEL ENTIRE LENGTH OF PIN.
- 0.00076 MIN GOLD PLATE IN THE LOCALIZED GOLD PLATE AREA, 0.00381 MIN MATTE TIN IN THE LOCALIZED TIN PLATE AREA, BOTH OVER 0.00127 MIN NICKEL.

|         |          |       |      |
|---------|----------|-------|------|
| 3.68    | .145     | 22.28 | .877 |
| 1.57    | .062     | 12.70 | .500 |
| 1.40    | .055     | 9.80  | .386 |
| 1.00    | .039     | 8.28  | .326 |
| 0.76    | .030     | 7.34  | .289 |
| 0.25    | .010     | 6.86  | .270 |
| 0.13    | .005     | 6.10  | .240 |
| 0.08    | .003     | 5.99  | .236 |
| 0.05    | .002     | 5.33  | .210 |
| 0.00381 | 0.000150 | 5.08  | .200 |
| 0.00127 | 0.000050 | 4.14  | .163 |
| 0.00076 | 0.000030 | 3.86  | .152 |
| MM      | IN       | MM    | IN   |

CONVERSION TABLE

|          |          |        |                |       |            |
|----------|----------|--------|----------------|-------|------------|
| OBSOLETE | BRASS    | 8      | NYLON, UL94V-0 | WHITE | 1-770971-1 |
|          | BRASS    | 7      | NYLON, UL94V-0 | WHITE | 1-770971-0 |
|          | BRASS    | 6      | NYLON, UL94V-0 | WHITE | -770971-2- |
|          | BRASS    | 5      | NYLON, UL94V-0 | WHITE | -770971-1- |
|          | MATERIAL | FINISH | MATERIAL       | COLOR | PART NO.   |

THIS DRAWING IS A CONTROLLED DOCUMENT.

|             |  |                          |   |
|-------------|--|--------------------------|---|
| DIMENSIONS: | TOLERANCES UNLESS OTHERWISE SPECIFIED: | DIN S. CARPENTER 24JUL03 | NAME  |
| mm          | 0 PLC ± -                              | CHK C. JONES 24JUL03     | STE TE Connectivity   |
|             | 1 PLC ± -                              | APVD G. JONES 24JUL03    | HEADER ASSEMBLY, RIGHT ANGLE, WITH SHORT PEG, 10 CIRCUIT, MINI UNIVERSAL MATE-N-LOK(TM) |
|             | 2 PLC ± -                              |                          | SIZE  |
|             | 3 PLC ± 0.13                           |                          | A1  |
|             | 4 PLC ± -                              |                          | 00779 C=770971  |
|             | ANGLES ± -                             |                          | SCALE 5:1 SHEET 1 OF 1 REV H1   |

MATERIAL SEE TABLE FINISH SEE TABLE WEIGHT -- CUSTOMER DRAWING

## X-ON Electronics

Largest Supplier of Electrical and Electronic Components

*Click to view similar products for [Pin & Socket Connectors](#) category:*

*Click to view products by [TE Connectivity](#) manufacturer:*

Other Similar products are found below :

[6450822-1](#) [770392-1](#) [794042-1](#) [796885-1](#) [8-794535-1](#) [881459-2](#) [R929993003](#) [1-350779-3](#) [1403611-1](#) [1-480349-5](#) [1586092-1](#) [1586129-1](#)  
[1586487-1](#) [1586681-4](#) [1586700-1](#) [1586065-1](#) [1586077-1](#) [1586368-1](#) [1586380-1](#) [1586680-5](#) [1586681-2](#) [1604996-1](#) [16-06-0038](#) [164164-5](#) [1-](#)  
[6609930-1](#) [172296-1](#) [1-794714-6](#) [19-09-2035](#) [1969804-1](#) [200503-1](#) [200788-2](#) [201046-7](#) [202648-4](#) [2029076-2](#) [2029090-4](#) [2029095-4](#) [2-](#)  
[66102-6](#) [925061-7](#) [926681-1](#) [293734-4](#) [293737-2](#) [1-765362-4](#) [1-794606-3](#) [1871534-1](#) [1969795-1](#) [1969798-1](#) [1969800-1](#) [200833-4](#)  
[2008625-2](#) [2029027-2](#)