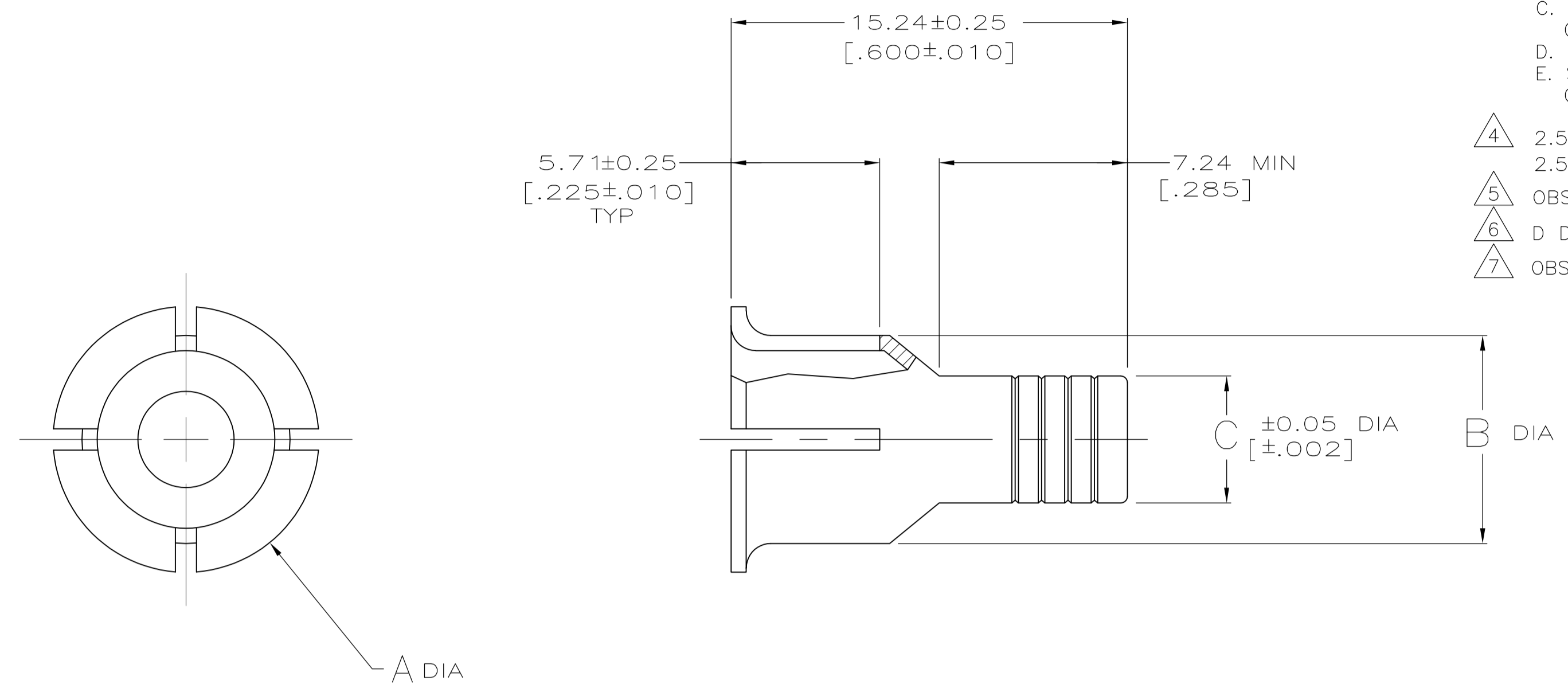
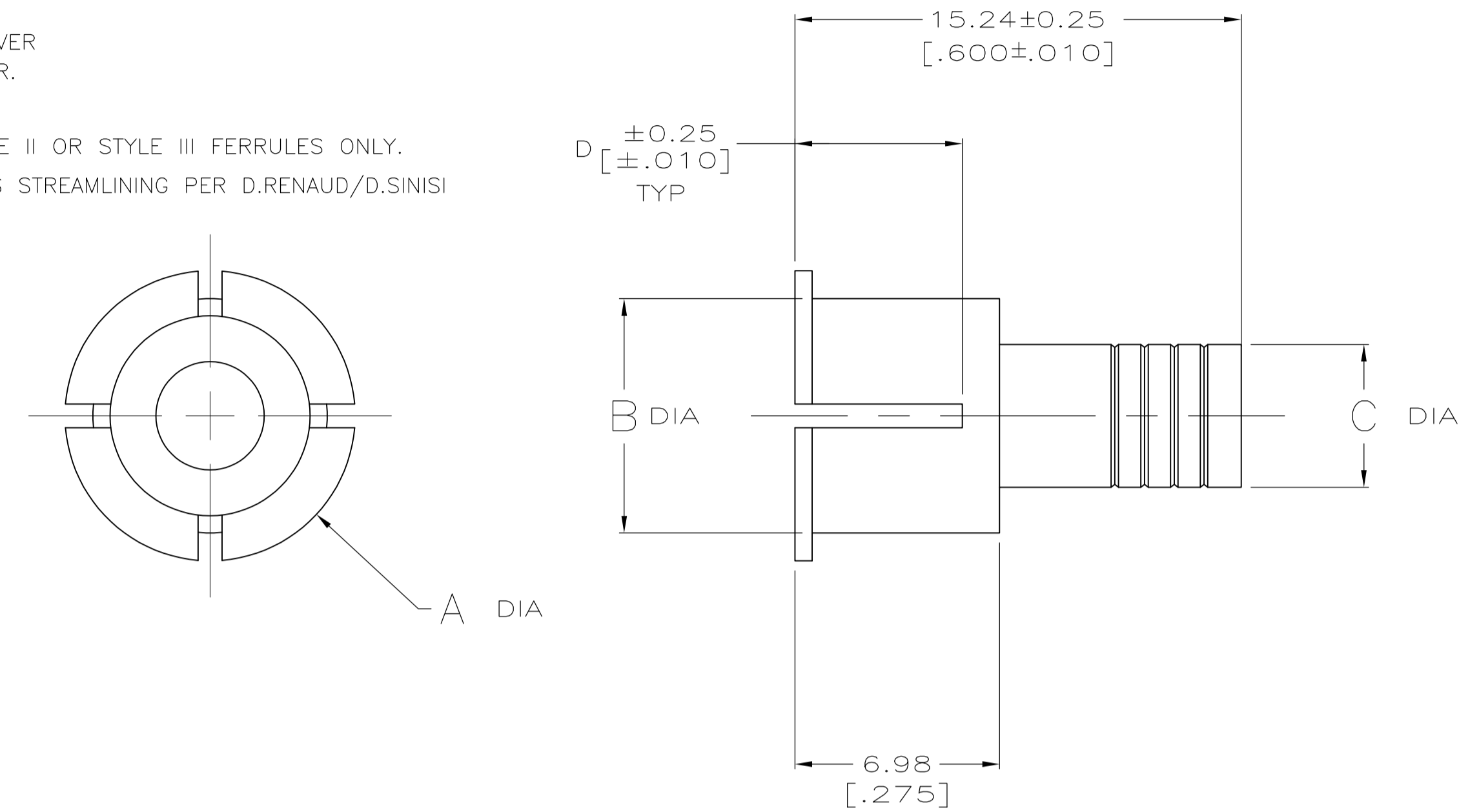


- △ BRASS, .023 THICK PER MIL-C-50 OR ASTM B16.
- △ 2.54 μm [.000100] MIN TIN OR TIN LEAD PER MIL-T-10727 OVER
- △ 2.54 μm [.000100] MIN COPPER PER MIL-C-14550A.
- 3. FERRULE SELECTION PROCEDURE:
 - A. SELECT THE DESIRED CABLE CLAMP FROM ANY OF THE FOLLOWING DRAWINGS: 5745171, 5745172, 5745173, 5745174, 5745175, 5745854, 5747099, 5745833, 5747100, 5747098, 5745919, 5745652, 5745653
 - B. VERIFY THAT THE CHOSEN CABLE CLAMP IS AVAILABLE.
 - C. SELECT AN INNER FERRULE PART NUMBER TO MATCH THE CABLE CLAMP SIZE AND CABLE DIAMETER TO BE USED.
 - D. USE THE OUTER FERRULE LISTED WITH THE CHOSEN INNER FERRULE.
 - E. SEE SPLIT RING FERRULES ON DRAWING 745508 FOR ADDITIONAL OPTIONS.

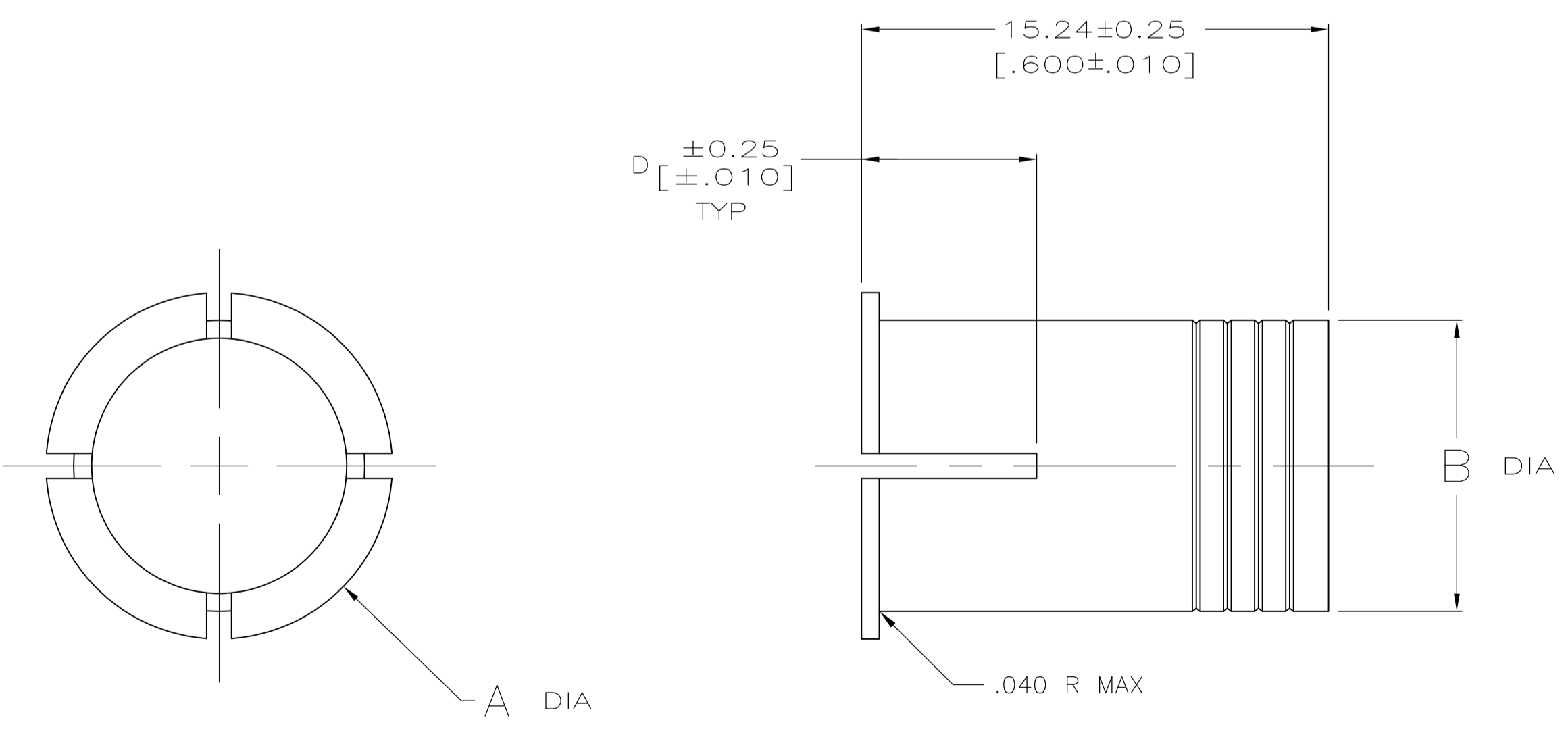
- △ 4 2.54 μm [.000100] MIN TIN, OVER
- △ 5 2.54 μm [.000100] MIN COPPER.
- △ 6 OBSOLETE
- △ 7 D DIMENSION APPLIES TO STYLE II OR STYLE III FERRULES ONLY.
- △ 7 OBSOLETE PARTS: OBSOLETE CIS STREAMLINING PER D.RENAUD/D.SINISI



STYLE I



STYLE II



STYLE III

4-745130-5	△ 4	1, 2, 5	.230-.280	I OR II	5.72 (0.225)	5.72 (0.225)	8.00 (0.315)	10.16 (0.400)	7-745129-9
4-745130-5		2, 3, 4	.230-.280	I OR II	4.70 (0.185)	5.72 (0.225)	9.50 (0.374)	11.56 (0.455)	7-745129-8
4-745130-3		5	.600-.650	I OR II	5.72 (0.225)	15.11 (0.595)	17.65 (0.695)	19.94 (0.785)	△ 5 7-745129-7
4-745130-2		4	.480-.530	I OR II	5.72 (0.225)	11.94 (0.470)	15.11 (0.595)	17.40 (0.685)	7-745129-6
4-745130-1		3, 5	.380-.430	I OR II	5.72 (0.225)	9.50 (0.374)	11.94 (0.470)	14.22 (0.560)	7-745129-5
4-745130-2		3, 5	.480-.530	III	5.72 (0.225)	---	11.94 (0.470)	14.22 (0.560)	7-745129-4
3-745130-8		2, 3, 4	.190-.240	I OR II	5.72 (0.225)	4.88 (0.192)	9.50 (0.374)	11.56 (0.455)	7-745129-3
3-745130-9		2, 3, 4	.300-.350	I OR II	5.72 (0.225)	7.47 (0.294)	9.50 (0.374)	11.56 (0.455)	7-745129-2
4-745130-1		2, 3, 4	.380-.430	III	5.72 (0.225)	---	9.50 (0.374)	11.56 (0.455)	7-745129-1
3-745130-8		1, 2, 5	.190-.240	I OR II	5.72 (0.225)	4.88 (0.192)	8.00 (0.315)	10.16 (0.400)	7-745129-0
4-745130-0	△ 4	1, 2, 5	.320-.370	III	5.72 (0.225)	---	8.00 (0.315)	10.16 (0.400)	6-745129-9
1-745130-6	△ 2	1, 2, 5	.230-.280	I OR II	5.72 (0.225)	5.72 (0.225)	8.00 (0.315)	10.16 (0.400)	△ 5 3-745129-4
1-745130-6		2, 3, 4	.230-.280	I OR II	5.72 (0.225)	5.72 (0.225)	9.50 (0.374)	11.56 (0.455)	△ 5 3-745129-2
1-745130-2		5	.480-.530	I OR II	5.72 (0.225)	11.94 (0.470)	17.65 (0.695)	19.94 (0.785)	△ 5 3-745129-0
1-745130-3		5	.600-.650	I OR II	5.72 (0.225)	15.11 (0.595)	17.65 (0.695)	19.94 (0.785)	2-745129-9
1-745130-4		5	.700-.750	III	5.72 (0.225)	---	17.65 (0.695)	19.94 (0.785)	△ 5 2-745129-8
1-745130-1		4	.380-.430	I OR II	5.72 (0.225)	9.50 (0.374)	15.11 (0.595)	17.40 (0.685)	△ 5 2-745129-7
1-745130-2		4	.480-.530	I OR II	5.72 (0.225)	11.94 (0.470)	15.11 (0.595)	17.40 (0.685)	△ 5 2-745129-6
1-745130-3		4	.600-.650	III	5.72 (0.225)	---	15.11 (0.595)	17.40 (0.685)	△ 5 2-745129-5
745130-9		3, 5	.300-.350	I OR II	5.72 (0.225)	7.47 (0.294)	11.94 (0.470)	14.22 (0.560)	△ 5 2-745129-4
1-745130-1		3, 5	.380-.430	I OR II	5.72 (0.225)	9.50 (0.374)	11.94 (0.470)	14.22 (0.560)	△ 5 2-745129-3
1-745130-2		3, 5	.480-.530	III	5.72 (0.225)	---	11.94 (0.470)	14.22 (0.560)	△ 5 2-745129-2
745130-8		2, 3, 4	.190-.240	I OR II	5.72 (0.225)	4.88 (0.192)	9.50 (0.374)	11.56 (0.455)	△ 5 2-745129-1
745130-9		2, 3, 4	.300-.350	I OR II	5.72 (0.225)	7.47 (0.294)	9.50 (0.374)	11.56 (0.455)	△ 5 2-745129-0
1-745130-1		2, 3, 4	.380-.430	III	5.72 (0.225)	---	9.50 (0.374)	11.56 (0.455)	△ 5 1-745129-9
745130-8		1, 2, 5	.190-.240	I OR II	5.72 (0.225)	4.88 (0.192)	8.00 (0.315)	10.16 (0.400)	△ 5 1-745129-8
1-745130-0		1, 2, 5	.320-.370	III	5.72 (0.225)	---	8.00 (0.315)	10.16 (0.400)	△ 5 1-745129-7
745130-8	△ 2	1	.190-.240	III	5.72 (0.225)	---	4.88 (0.192)	6.99 (0.275)	△ 5 1-745129-6
OUTER FERRULE P/N	FINISH	FOR CABLE CLAMP SIZE(S)	CABLE DIA RANGE	STYLE	D	C	B	A	PART NUMBER

THIS DRAWING IS A CONTROLLED DOCUMENT.

DIMENSIONS: mm [INCHES]	TOLERANCES UNLESS OTHERWISE SPECIFIED:	DIN D. BROCKWAY 20MAY04	APPROVED: C. ROHDE 20MAY04	NAME: M. WALMSLEY 20MAY04	TE Connectivity
0 PLC ± -	1 PLC ± -	2 PLC ± 0.13 [.005]	3 PLC ± -	4 PLC ± -	FERRULE, INNER, AMPLIMITE HDP-20
ANGLES ± -	SEE TABLE	SIZE: A1	CAGE CODE: 00779	DRAWING NO: 745129	RESTRICTED TO: -
MATERIAL: △ 1	SEE TABLE	WEIGHT: -	CUSTOMER DRAWING	SCALE: 4:1	SHEET 1 OF 1 REV 1.2

X-ON Electronics

Largest Supplier of Electrical and Electronic Components

Click to view similar products for [D-Sub Tools & Hardware](#) category:

Click to view products by [TE Connectivity](#) manufacturer:

Other Similar products are found below :

[000-01-09-132](#) [000-01-21-132](#) [000-01-31-162](#) [572019-00105-70](#) [000-01-37-162](#) [621-250-113-115](#) [D110550-2](#) [D20418-137](#) [780-518-50SG6-WS](#) [86552009](#) [86553115TLF](#) [86553117TLF](#) [1230032-1](#) [1-5021101-2](#) [1589283-4](#) [160-000-005R031](#) [16-000230](#) [160-025-004R031](#) [160-000-137R000](#) [160-020-209R000](#) [164C03939A](#) [177-505-A-2-2](#) [1-966830-8](#) [21018-6](#) [21028-2](#) [2-1393560-9](#) [JS-1000](#) [L17D204182M3E](#) [L17D53018](#) [300X10779X](#) [160X10189X](#) [160X10419X](#) [160X10959X](#) [162-000-050R000](#) [21018-5](#) [212561-3](#) [248C21550X](#) [CF15P](#) [QLOCKPOST-2](#) [D110277](#) [500-008NF1K-01](#) [500-008NF3R3KS-01](#) [500-017M09FN](#) [500-017M15MHN](#) [500-024M1](#) [500-068M3](#) [5-1393561-5](#) [C115373-0001](#) [C115373-0002](#) [3342-4-KIT](#)