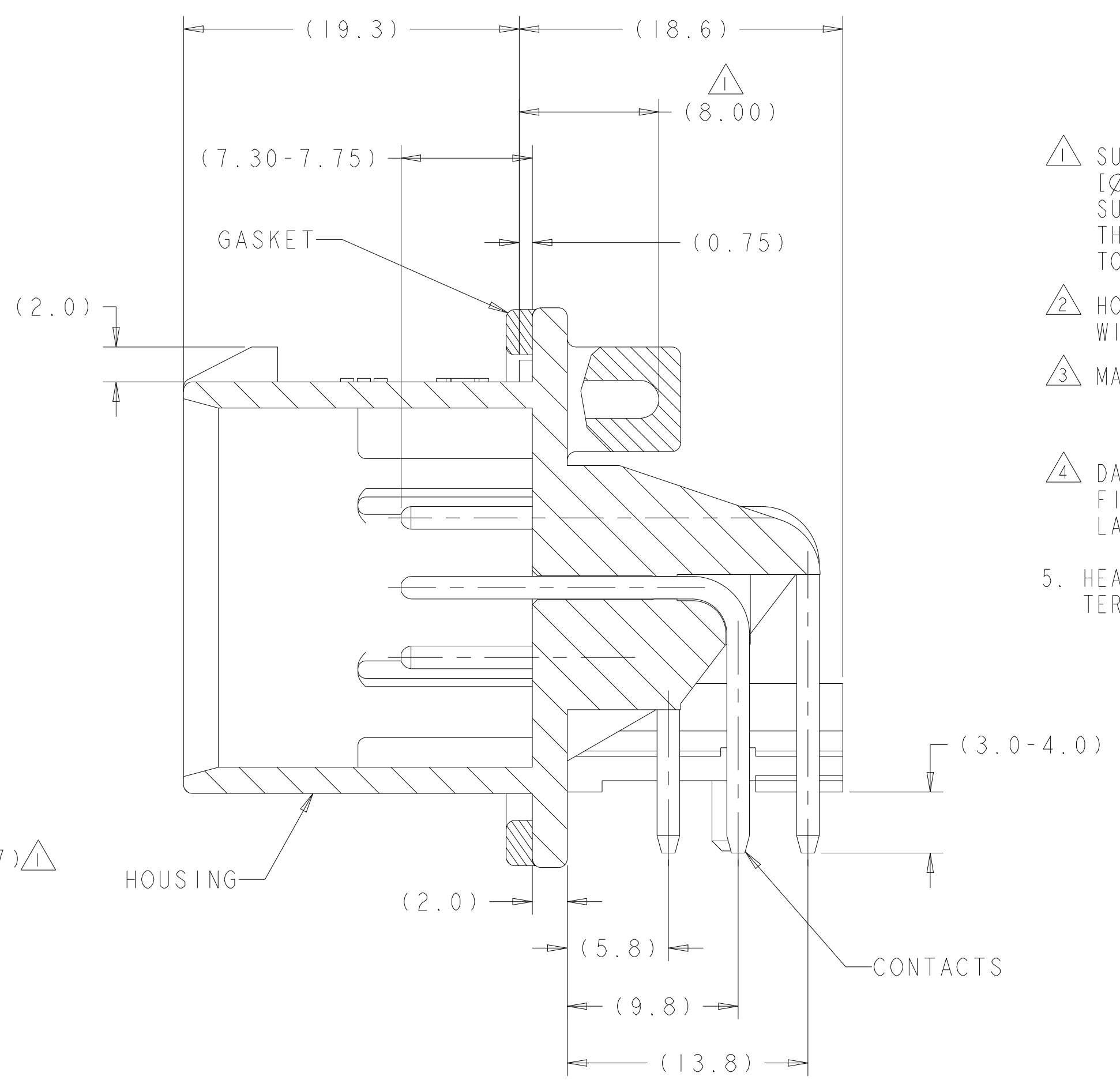
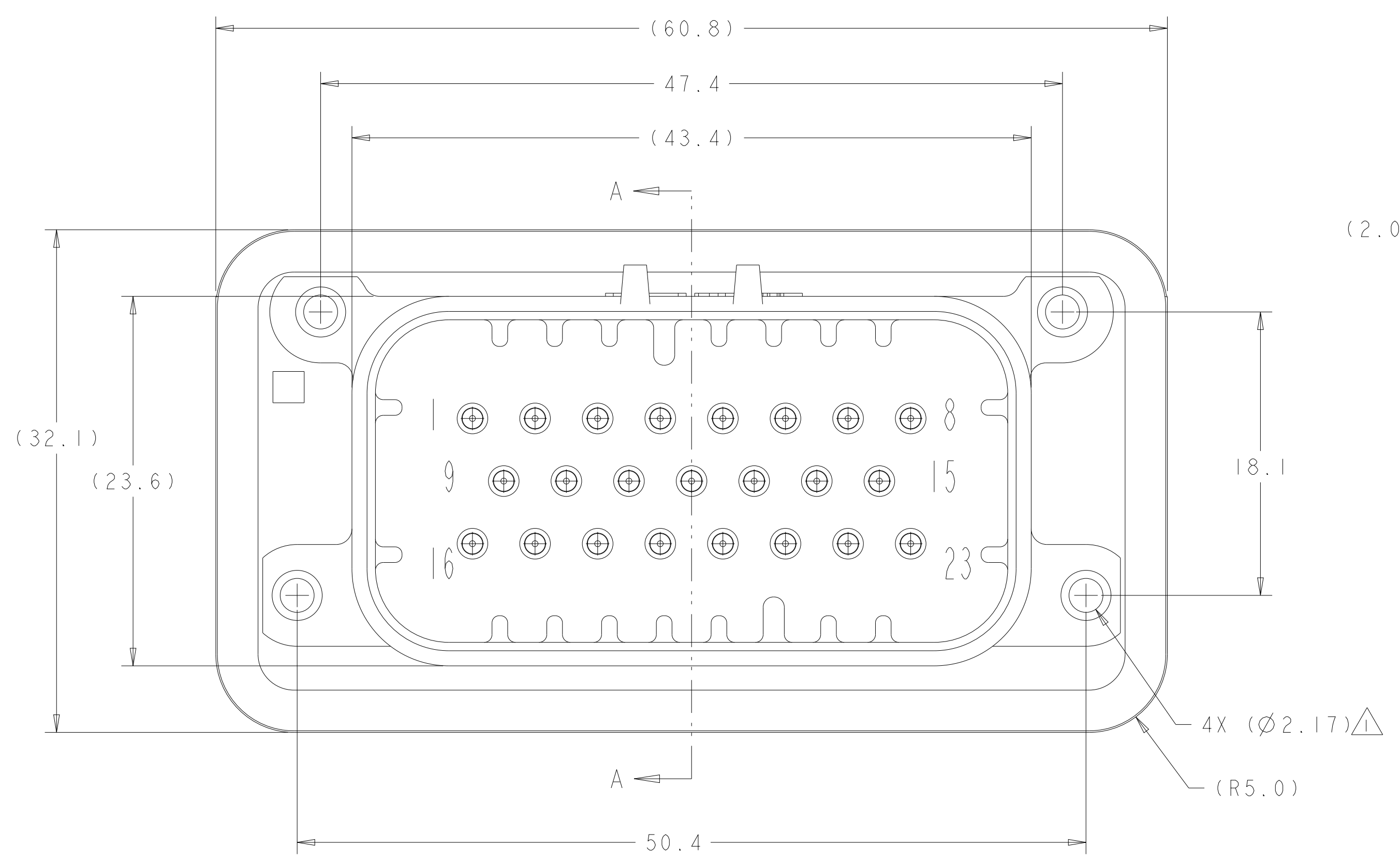
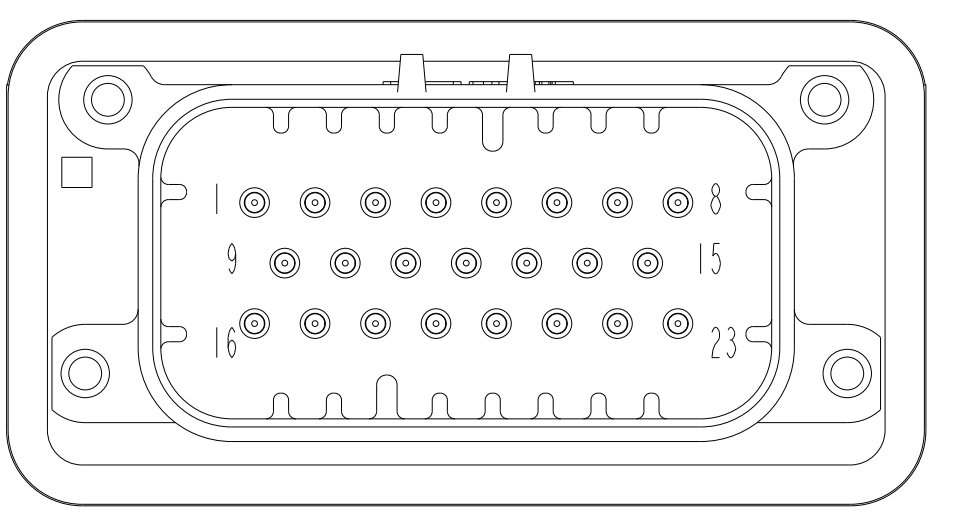
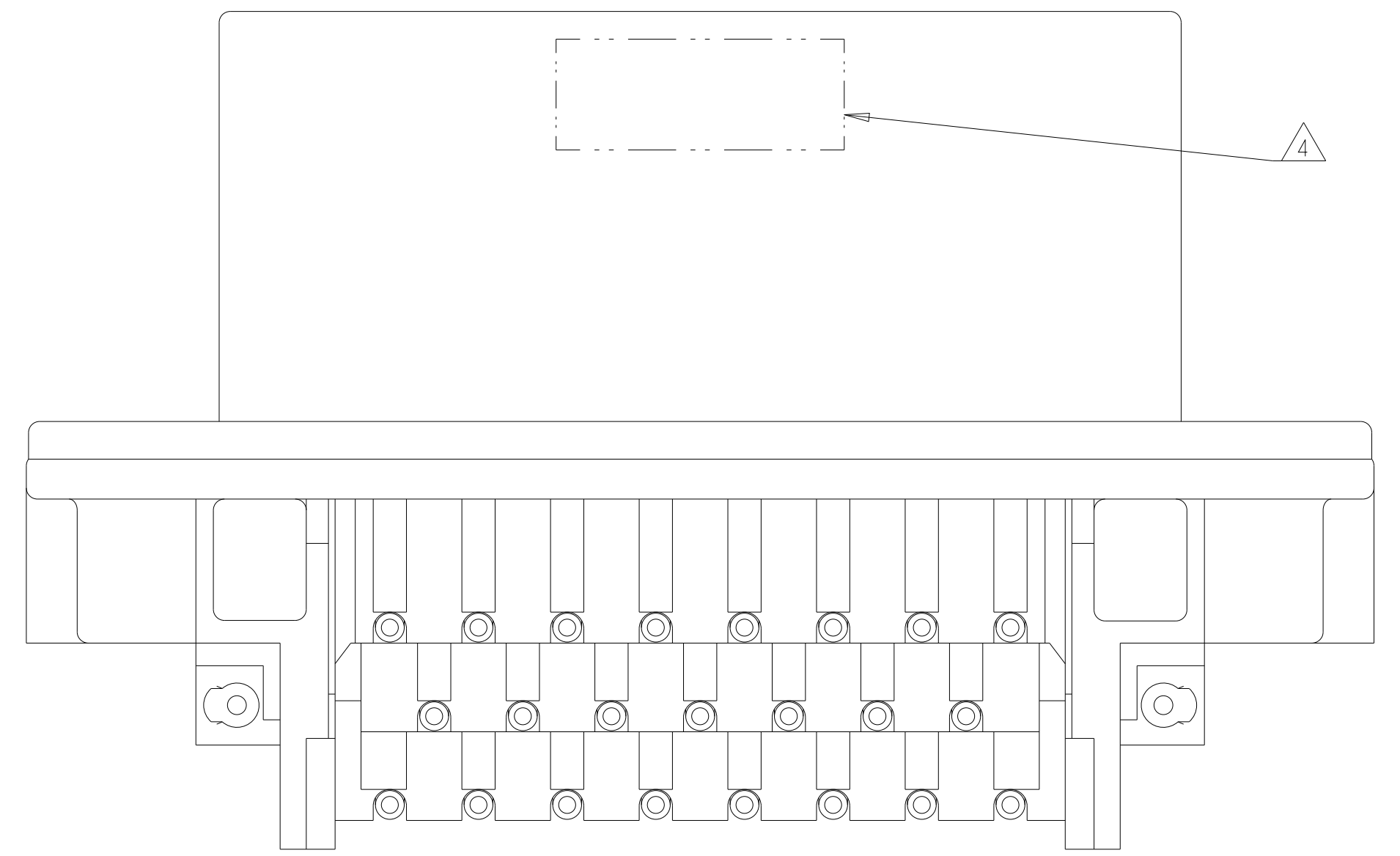


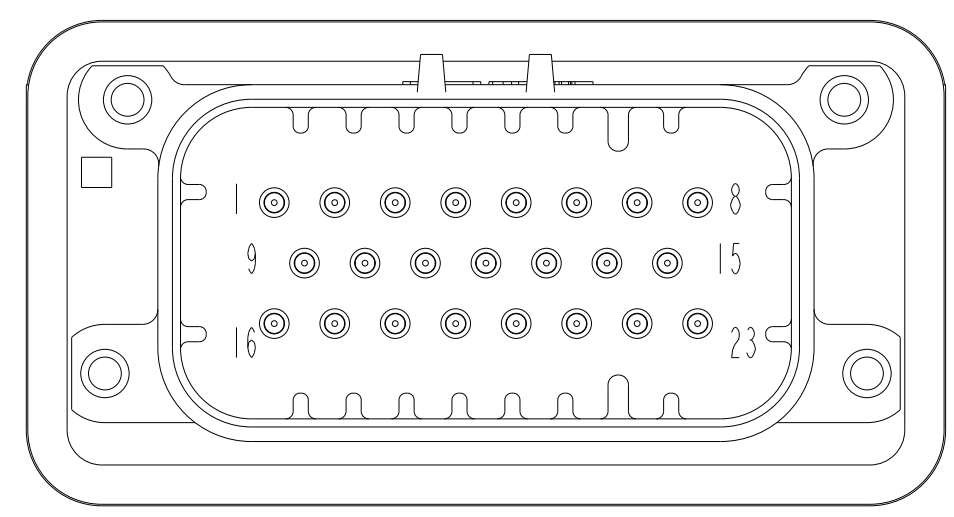
REVISIONS				
P	LTN	DESCRIPTION	DATE	OWN APVD
E12		REVISED PER ECO-19-009419	20JUN2019	DS DS
E13		REVISED PER ECO-20-004256	26MAR2020	JM DS
E14		REVISED PER PCN E-20-016603	24NOV2020	PN DS
F		REVISED PER ECN-21-123056	08NOV2021	DK CB



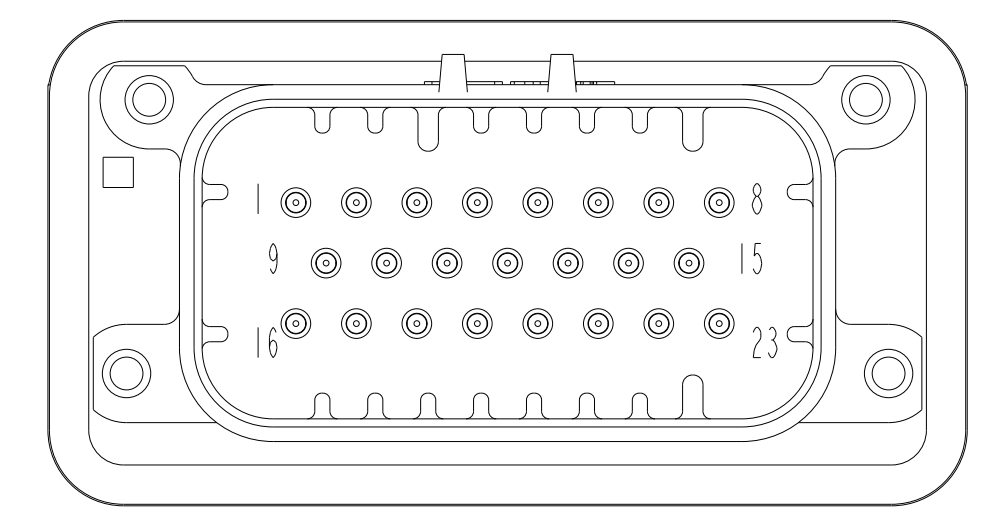
- 1 SUGGESTED MOUNTING SCREW SIZE IS $\varnothing 2.50-3.00\text{mm}$ [$\varnothing 0.099 - 0.118$ INCH] SELF TAPPING THREAD FORMING SCREW, SUCH AS DELTA PT, TO BE DRIVEN AT 0.6-0.8 N-m. THE CUSTOMER SHOULD TEST THE SCREW SIZE AND TYPE IN ORDER TO VERIFY THEIR SELECTION FOR THEIR APPLICATION.
- 2 HOUSING COLORS ARE MECHANICALLY KEYS TO MATE ONLY WITH IDENTICALLY COLORED PLUG ASSEMBLIES.
- 3 MATERIALS: HEADER HOUSING - GLASS FIBERED PBT
PINS - TIN OR GOLD PLATED BRASS
GASKET - SILICONE
- 4 DATE CODE IN THIS LOCATION USING 5 DIGIT CODE
FIRST 2 DIGITS = YEAR, SECOND 2 DIGITS = WEEK
LAST DIGIT = DAY
- 5. HEADER MATES TO PLUG ASSEMBLY 770680 WHICH USES REELED TERMINAL 770520 AND LOOSE PIECE TERMINAL 770854



776087-2 & 1-776087-2
KEY LOCATION AS SHOWN
SCALE 2:1



776087-4 & 1-776087-4
KEY LOCATION AS SHOWN
SCALE 2:1



776087-5 & 1-776087-5
KEY LOCATION AS SHOWN
SCALE 2:1

776087-1 & 1-776087-1
KEY LOCATION AS SHOWN

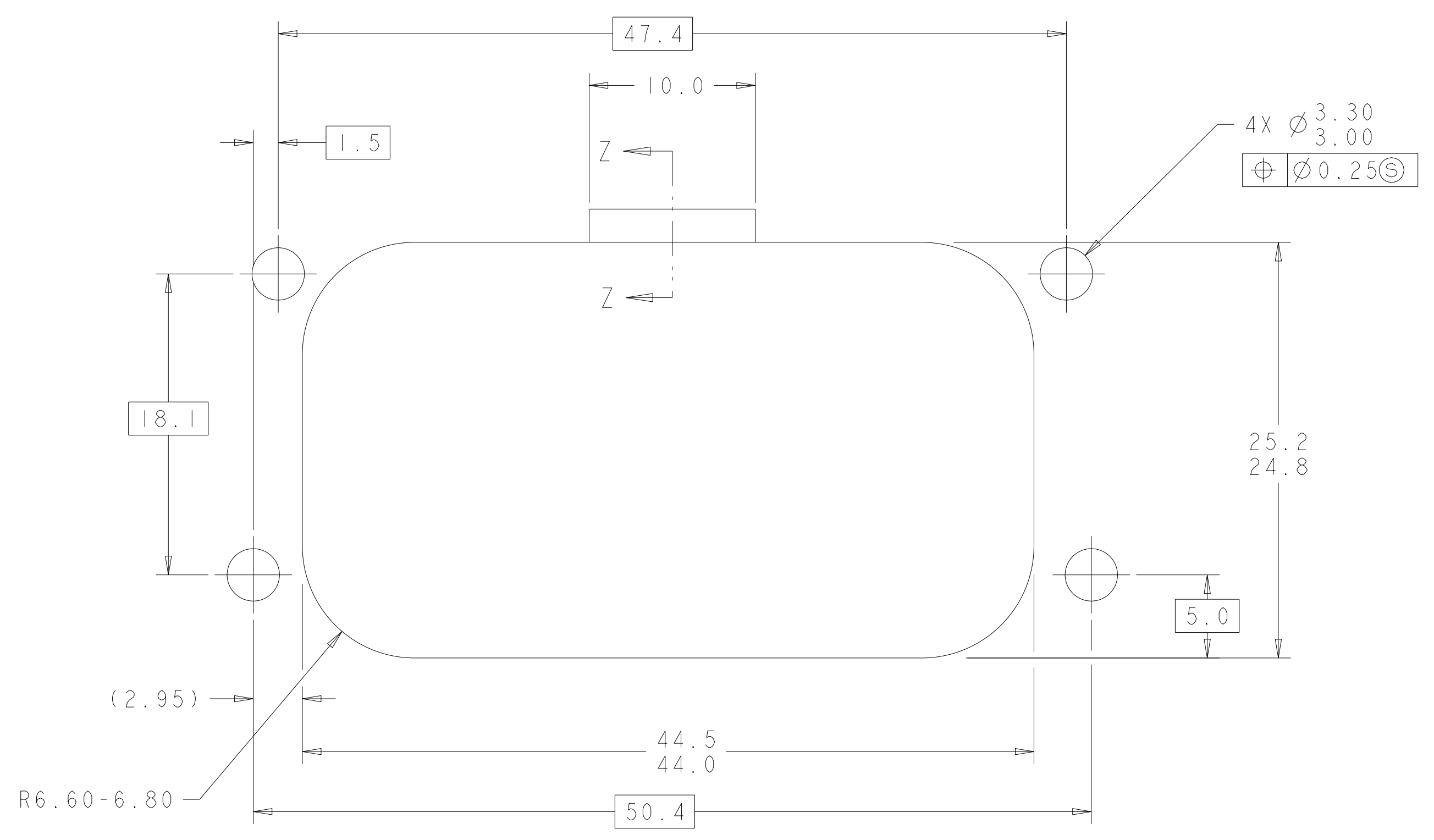
GOLD	BLUE	1-776087-5
GOLD	GRAY	1-776087-4
GOLD	NATURAL (WHITE)	1-776087-2
GOLD	BLACK	1-776087-1
TIN	BLUE	776087-5
TIN	GRAY	776087-4
TIN	NATURAL (WHITE)	776087-2
TIN	BLACK	776087-1
FINISH	COLOR	PART NUMBER

THIS DRAWING IS A CONTROLLED DOCUMENT.

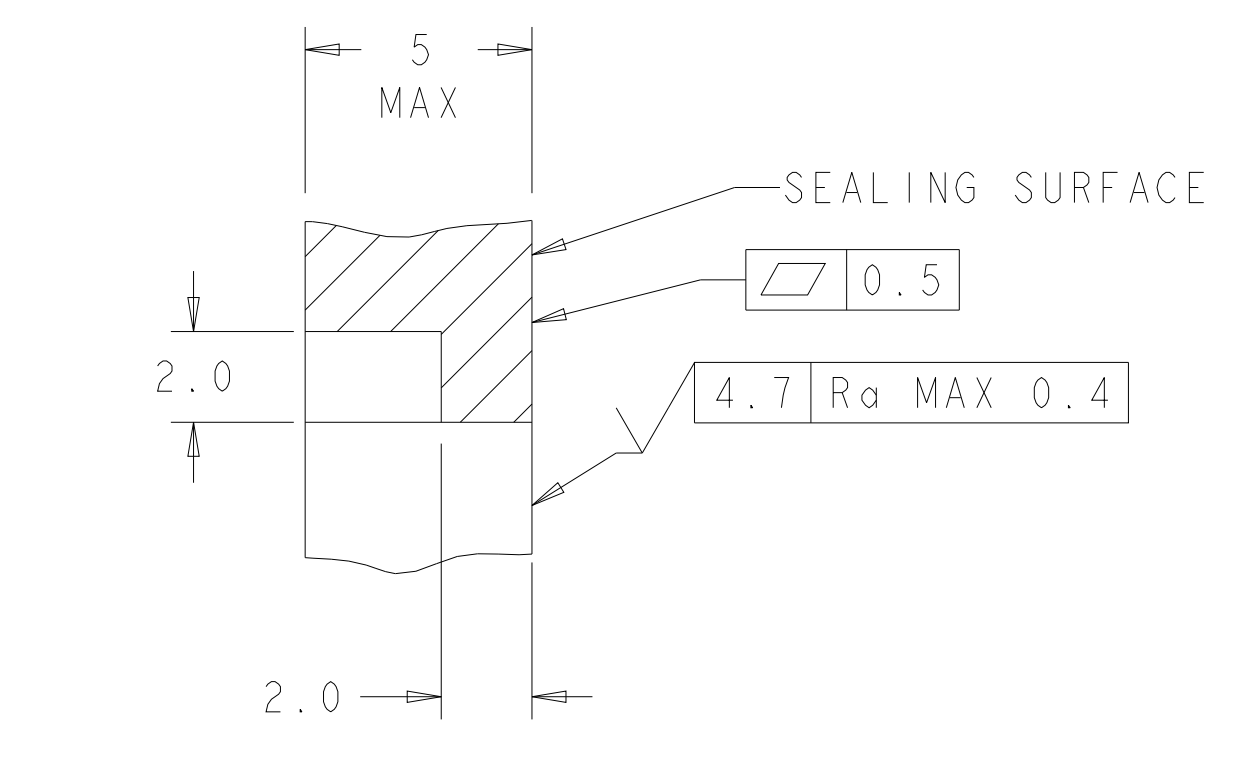
DIMENSIONS:	TOLERANCES UNLESS OTHERWISE SPECIFIED:	OWN: R. VESTAL 31DEC2002	CHK: D. CROWE 31DEC2002	APVD: D. CROWE 31DEC2002	NAME: HEADER ASSEMBLY, 23 POSITION, RIGHT ANGLE, AMPSEAL
mm	0 PLC ±0.2	PRODUCT SPEC: 108-1329	APPLICATION SPEC: 114-16016	SIZE: 114-16016	RESTRICTED TO: -
MATERIAL:	FINISH:	WEIGHT: 29.04g	CAGE CODE: 114-16016	SIZE: A100779	DRAWING NO: C=776087
CUSTOMER DRAWING		SCALE: 4:1	SHEET: 1 OF 2	REV: F	

TE Connectivity

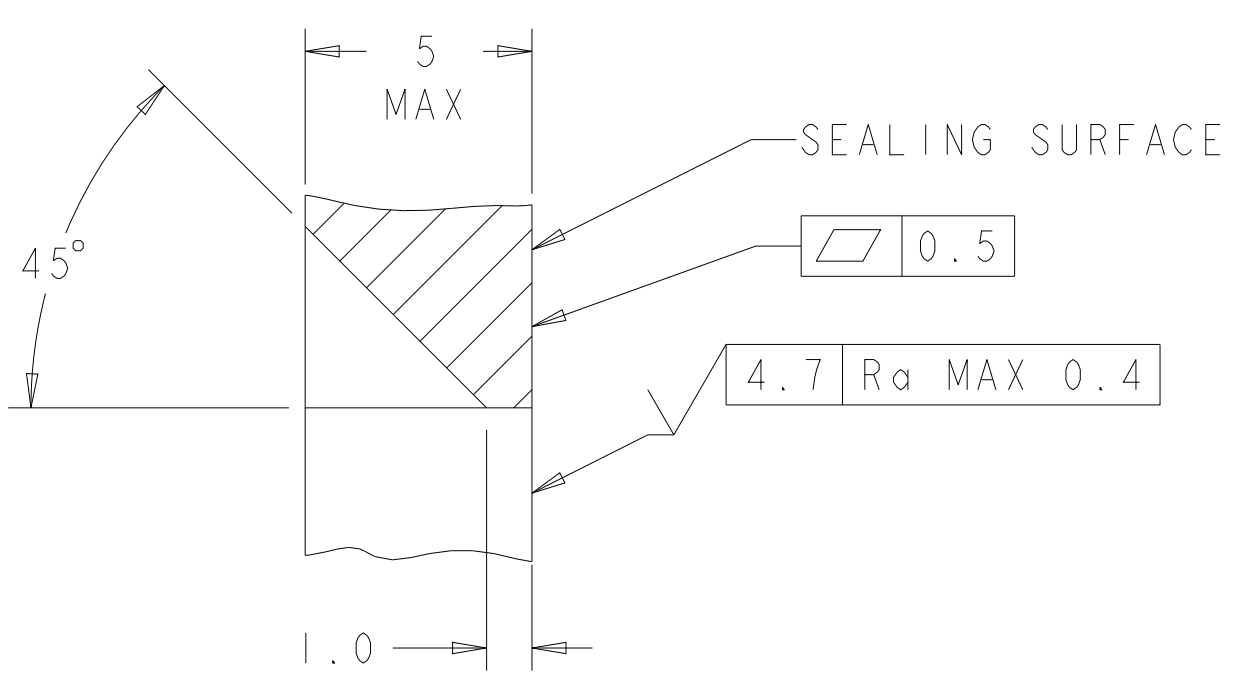
REVISIONS				
P.	LTN.	DESCRIPTION	DATE	APPD.
-	-	SEE SHEET 1	-	-



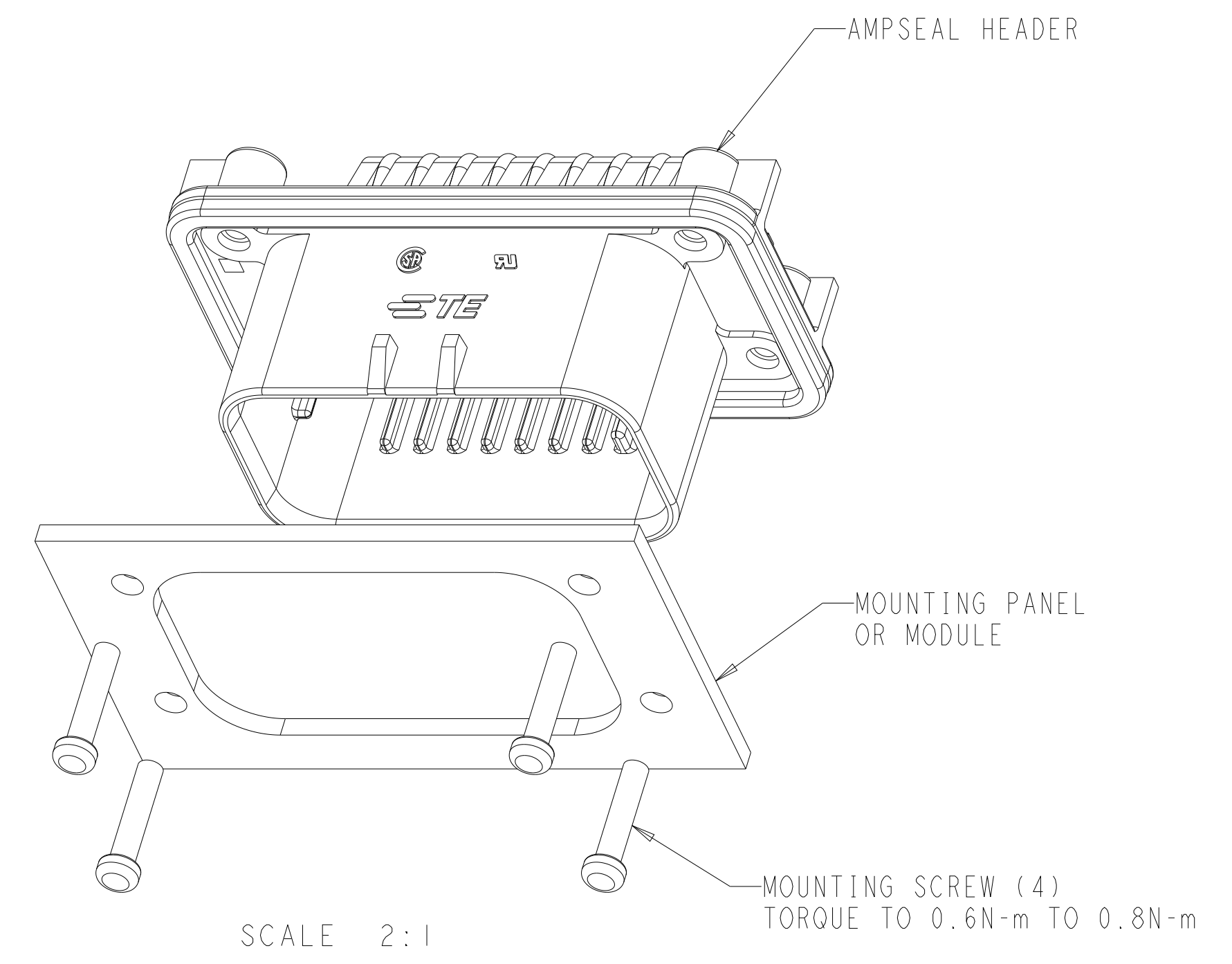
RECOMMENDED MOUNTING HOLE LAYOUT FOR 5.0 MAX THICK PANEL



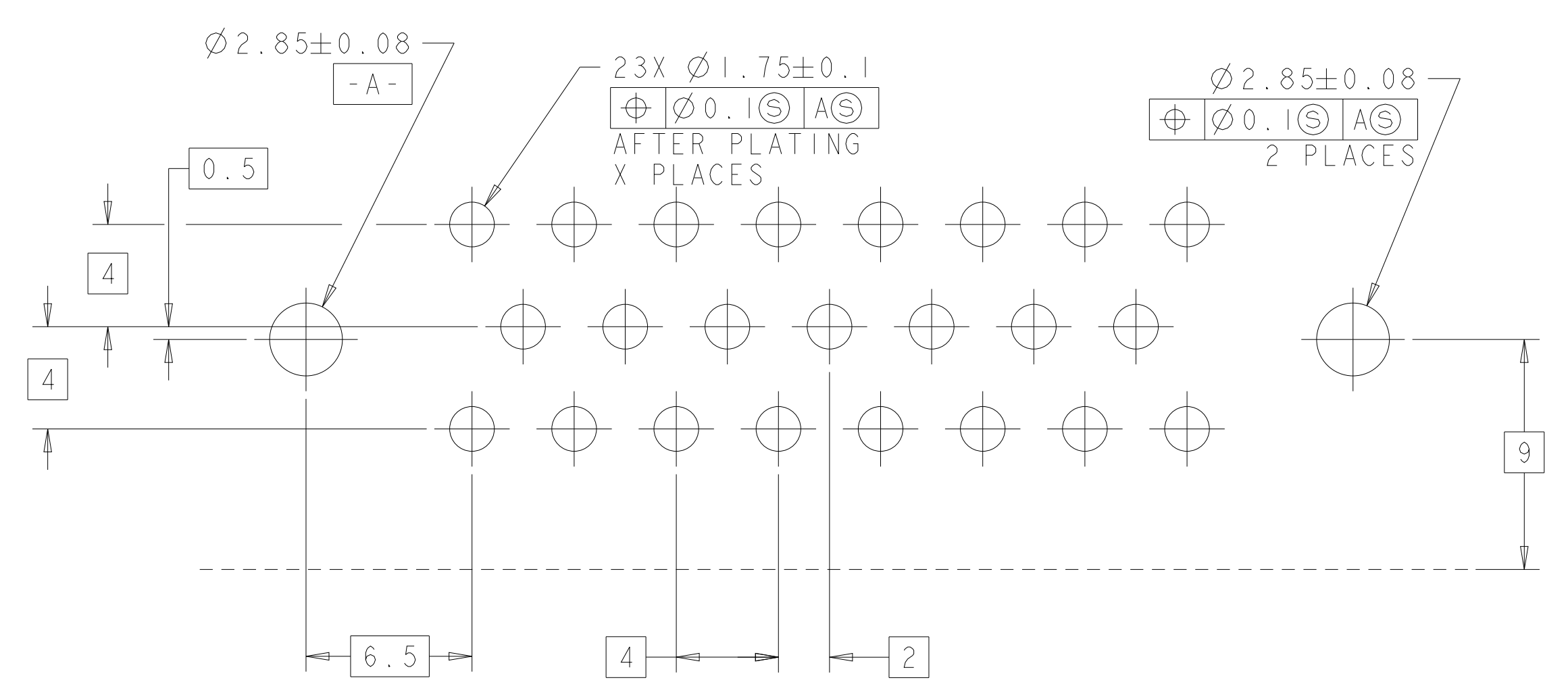
SECTION Z-Z
 OPTIONAL CONSTRUCTION IF THICKNESS IS GREATER THAN 2.0
 SCALE 6:1



SECTION Z-Z
 OPTIONAL CONSTRUCTION IF THICKNESS IS GREATER THAN 2.0
 SCALE 6:1



SCALE 2:1
 ENSURE THE HEADER IS FLUSH TO THE PANEL FACE ALL AROUND BEFORE TIGHTENING TO FINAL TORQUE



RECOMMENDED P.C. BOARD LAYOUT FOR 1.57 THICK P.C. BOARD

THIS DRAWING IS A CONTROLLED DOCUMENT.		OWN R. VESTAL 31DEC2002	TE Connectivity
DIMENSIONS: mm		CHK D. CROWE 31DEC2002	
TOLERANCES UNLESS OTHERWISE SPECIFIED:		APVD D. CROWE 31DEC2002	NAME HEADER ASSEMBLY, 23 POSITION, RIGHT ANGLE, AMPSEAL
0 PLC ±0.2		PRODUCT SPEC 108-1329	
1 PLC ±0.13		APPLICATION SPEC 114-16016	SIZE CAGE CODE DRAWING NO A100779C=776087
2 PLC ±0.13		RESTRICTED TO	
3 PLC ±0.13		WEIGHT 29.04g	SCALE 2:1 SHEET 2 OF 2 REV F
4 PLC ±0.13		CUSTOMER DRAWING	
ANGLES FINISH			

X-ON Electronics

Largest Supplier of Electrical and Electronic Components

Click to view similar products for [Automotive Connectors](#) category:

Click to view products by [TE Connectivity](#) manufacturer:

Other Similar products are found below :

[003-018-000](#) [60403001](#) [60993906-B](#) [M902-2131](#) [M902-2161](#) [M902-2344](#) [72.330.1035.1](#) [73.353.4028.0](#) [F119300-B](#) [F166900](#) [F258300-B](#)
[F358300-B](#) [F407400](#) [F444110](#) [F487000](#) [F509500B-B](#) [827153-1](#) [8N1515-32-24P](#) [9-1326729-8](#) [925474-1](#) [928905-1](#) [964562-4](#) [968782-1](#)
[GT17SA-8DS-HU](#) [98891-1012](#) [98947-1016](#) [12004147](#) [12004475-L](#) [12010290](#) [12010309-B](#) [12015454](#) [12020219-B](#) [12041318-B](#) [12052225-](#)
[L](#) [12052466](#) [12064869](#) [12004327-B](#) [12015308](#) [12015384](#) [12015909](#) [1-21030-1](#) [12041254](#) [12041318](#) [12047946-B](#) [12047957](#) [12047957-L](#)
[12059473](#) [12066261](#) [12110546](#) [12110546-B](#)