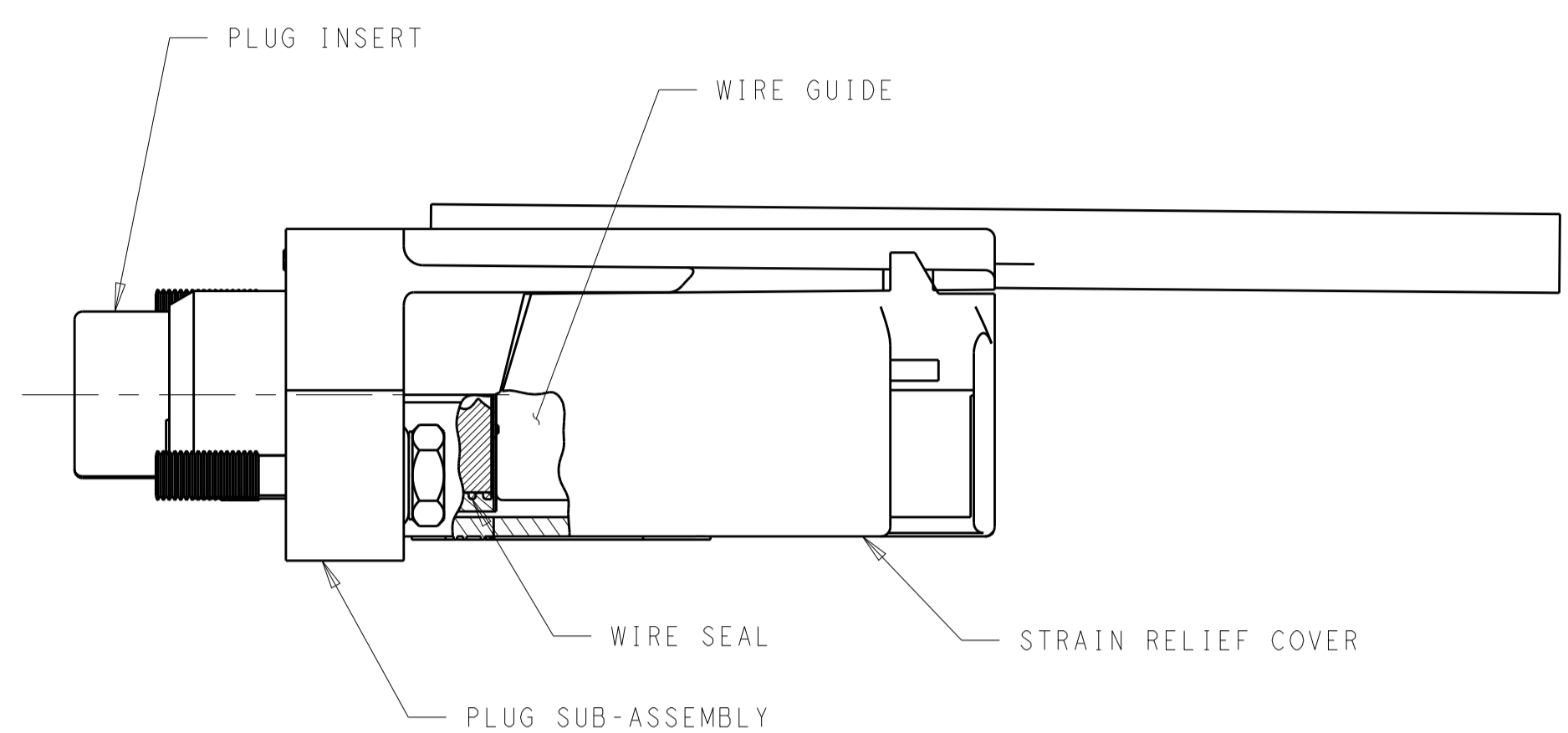
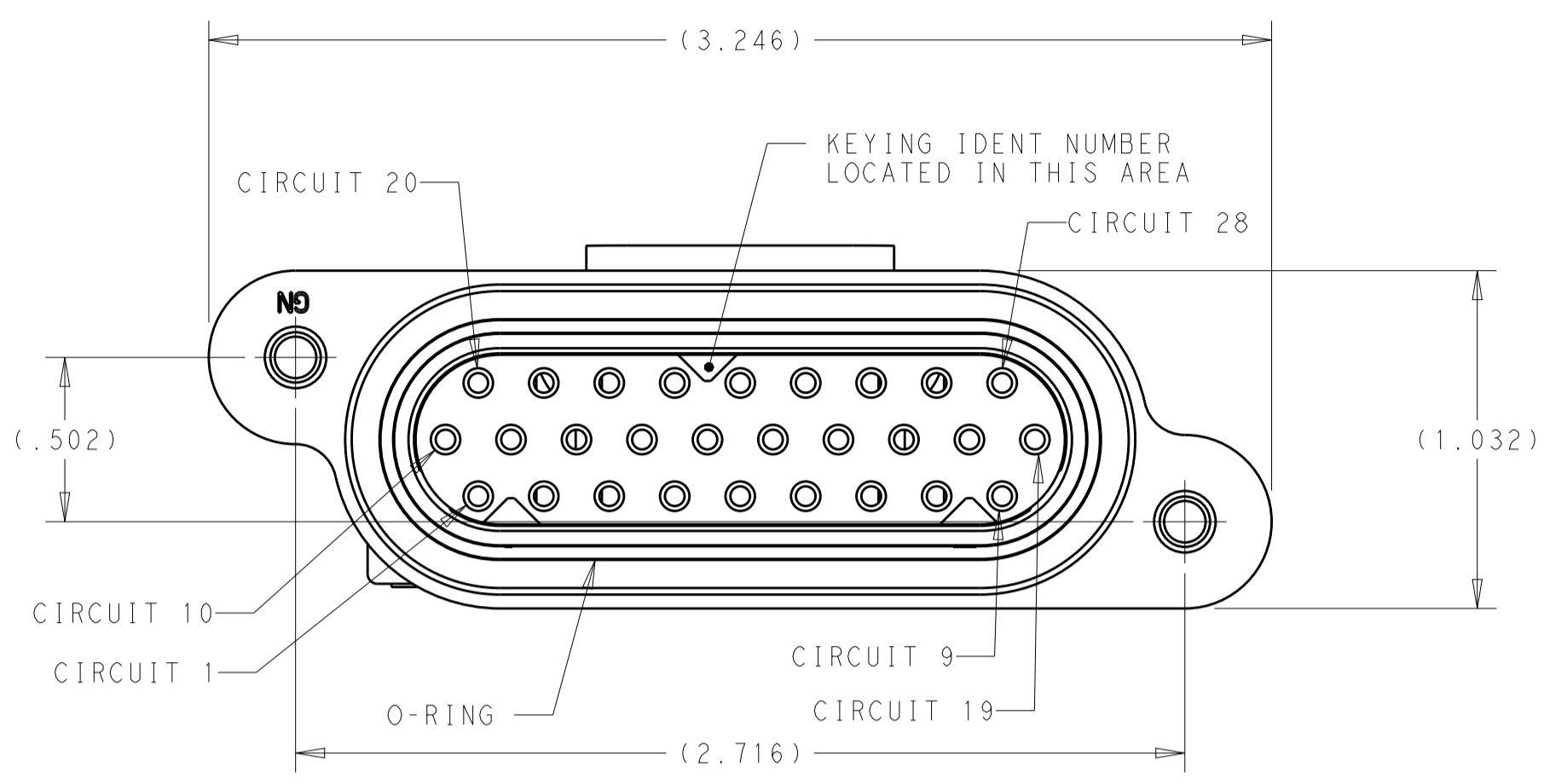
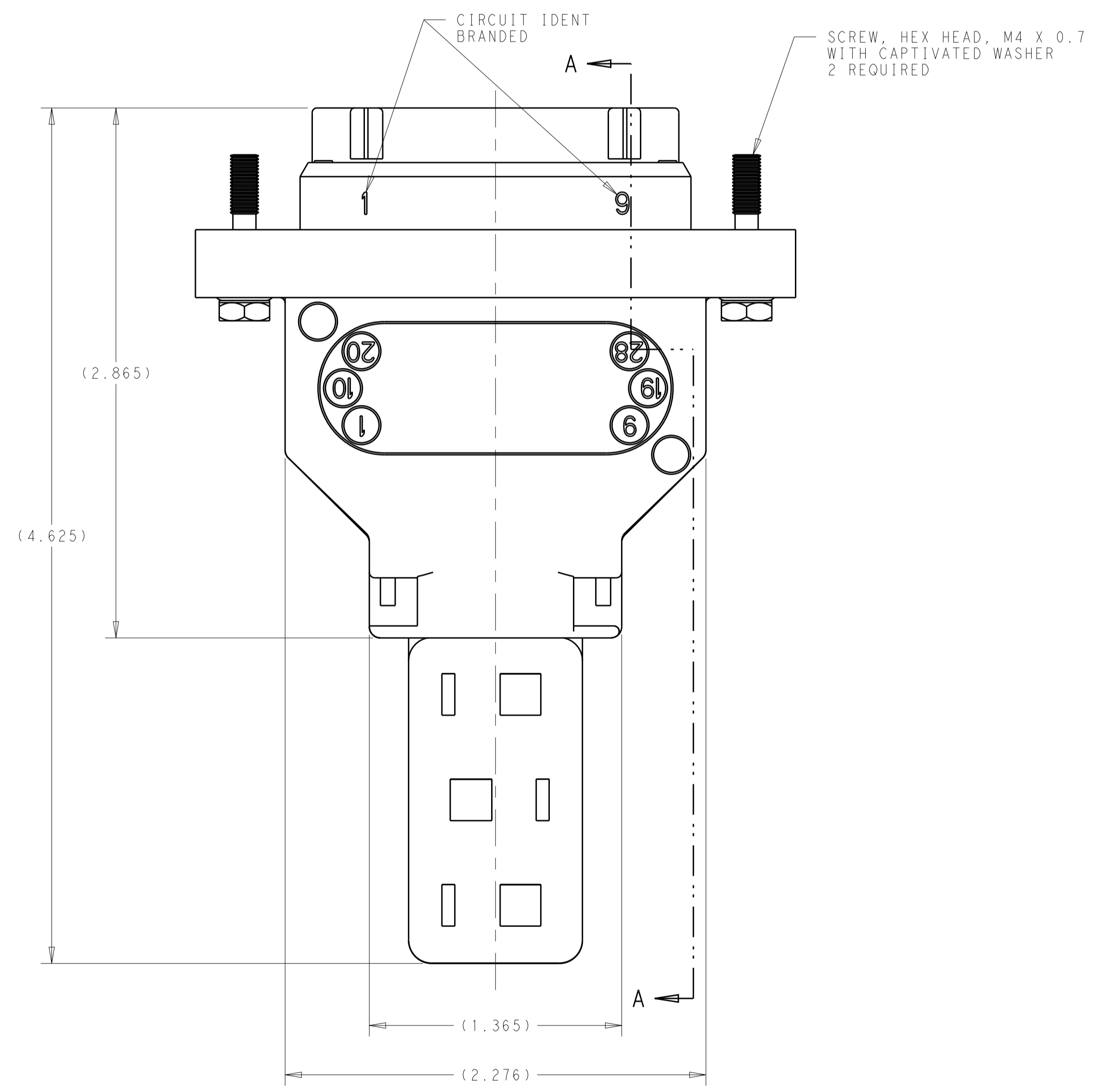


REVISIONS				
P.	LTN	DESCRIPTION	DATE	APVD
B1		REV PER ECO-12-015596	11OCT2012	RGV DCS
B2		REV PER ECO-19-000477	11JAN2019	DS DS



SECTION A-A



- ⚠ MATERIAL: PLUG SUB-ASSEMBLY - THERMOPLASTIC, BLACK
 PLUG INSERT - THERMOPLASTIC, BLACK
 WIRE SEAL - SILICONE RUBBER, GRAY
 SCREW AND WASHER - STAINLESS STEEL
 WIRE GUIDE - THERMOPLASTIC, BLACK
- PLUG ACCEPTS 28 SOCKET CONTACTS, PN 66773, WITH WIRE RANGE OF 18 - 16 AWG AND INSULATION RANGE 2.54 - 3.05 DIAMETER (NOT SUPPLIED, MUST BE ORDERED SEPARATELY).
 - PARTS MUST BE PACKAGED IN BULK KIT FORM.
 - CUMMINS ELECTRONICS MUST BE INFORMED BY WAY OF A PRODUCT CHANGE IDENTIFICATION OF ALL CHANGES TO THE TE CUSTOMER DRAWINGS.
 - MATES WITH HEADER ASSEMBLY, PN 213341.

776177-1	776104-1	212977-1	212982-1	776176-1	212984-7	770394-1	3614847	7		776179-7
776177-1	776104-1	212977-1	212982-1	776176-1	212984-6	770394-1	3614848	6		776179-6
776177-1	776104-1	212977-1	212982-1	776176-1	212984-5	770394-1	3049068	5		776179-5
776177-1	776104-1	212977-1	212982-1	776176-1	212984-4	770394-1	3049067	4		776179-4
776177-1	776104-1	212977-1	212982-1	776176-1	212984-3	770394-1	3048604	3		776179-3
776177-1	776104-1	212977-1	212982-1	776176-1	212984-2	770394-1	3048603	2		776179-2
776177-1	776104-1	212977-1	212982-1	776176-1	212984-1	770394-1	3048602	1		776179-1
WIRE GUIDE	O-RING	STRAIN RELIEF COVER	SCREW AND WASHER	WIRE SEAL	PLUG INSERT	PLUG SUB-ASSEMBLY	CUMMINS PART NUMBER	KEYING IDENT NO.	KEYING ARRANGEMENT	PART NUMBER

THIS DRAWING IS A CONTROLLED DOCUMENT.

DIMENSIONS: INCHES

TOLERANCES UNLESS OTHERWISE SPECIFIED:

0 PLC	±
1 PLC	±
2 PLC	±
3 PLC	±
4 PLC	±
ANGLES	±

MATERIAL:

FINISH:

APVD: D. STRAUSSER 13AUG2012

PRODUCT SPEC: PLUG KIT, WITH O-RING AND WIRE GUIDE, 28 POSITION, ECMSC CONNECTOR

APPLICATION SPEC: A100779C=776179

SCALE: 2:1 SHEET 1 OF 1 REV B2

TE Connectivity

X-ON Electronics

Largest Supplier of Electrical and Electronic Components

Click to view similar products for [Automotive Connectors](#) category:

Click to view products by [TE Connectivity](#) manufacturer:

Other Similar products are found below :

[003-018-000](#) [60403001](#) [60993906-B](#) [M902-2131](#) [M902-2161](#) [72.330.1035.1](#) [73.353.4028.0](#) [F119300-B](#) [F166900](#) [F258300-B](#) [F358300-B](#)
[F407400](#) [F444110](#) [F487000](#) [F509500B-B](#) [827153-1](#) [8N1515-32-24P](#) [9-1326729-8](#) [925474-1](#) [928905-1](#) [964562-4](#) [968782-1](#) [GT17SA-8DS-](#)
[HU](#) [98891-1012](#) [98947-1016](#) [12004147](#) [12004475-L](#) [12010290](#) [12010309-B](#) [12015454](#) [12020219-B](#) [12020308](#) [12041318-B](#) [12052225-L](#)
[12052466](#) [12059125](#) [12064869](#) [12004327-B](#) [12010503-B](#) [12015308](#) [12015384](#) [12015909](#) [1-21030-1](#) [12041254](#) [12041318](#) [12047946-B](#)
[12047957](#) [12047957-L](#) [12059473](#) [12066261](#)