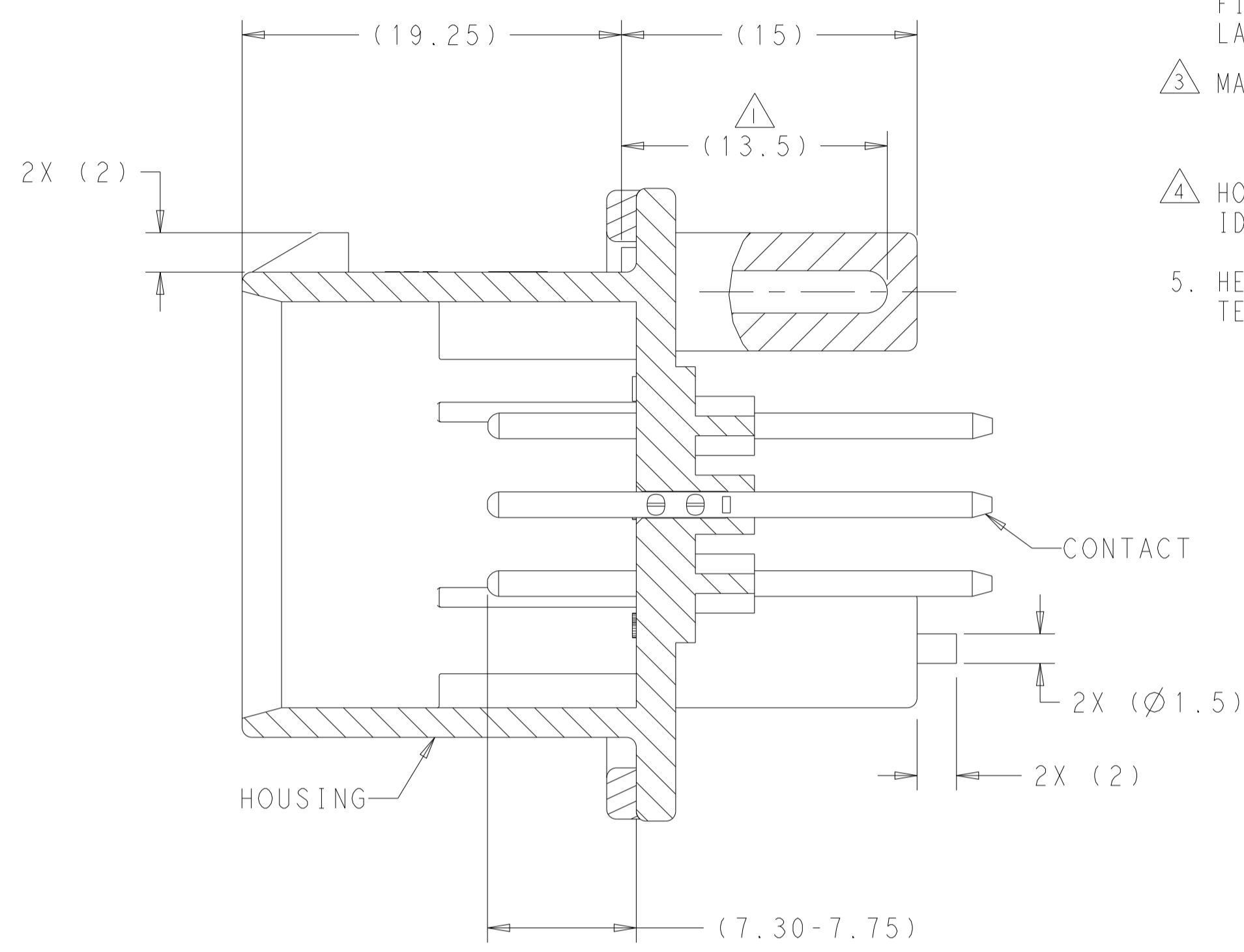
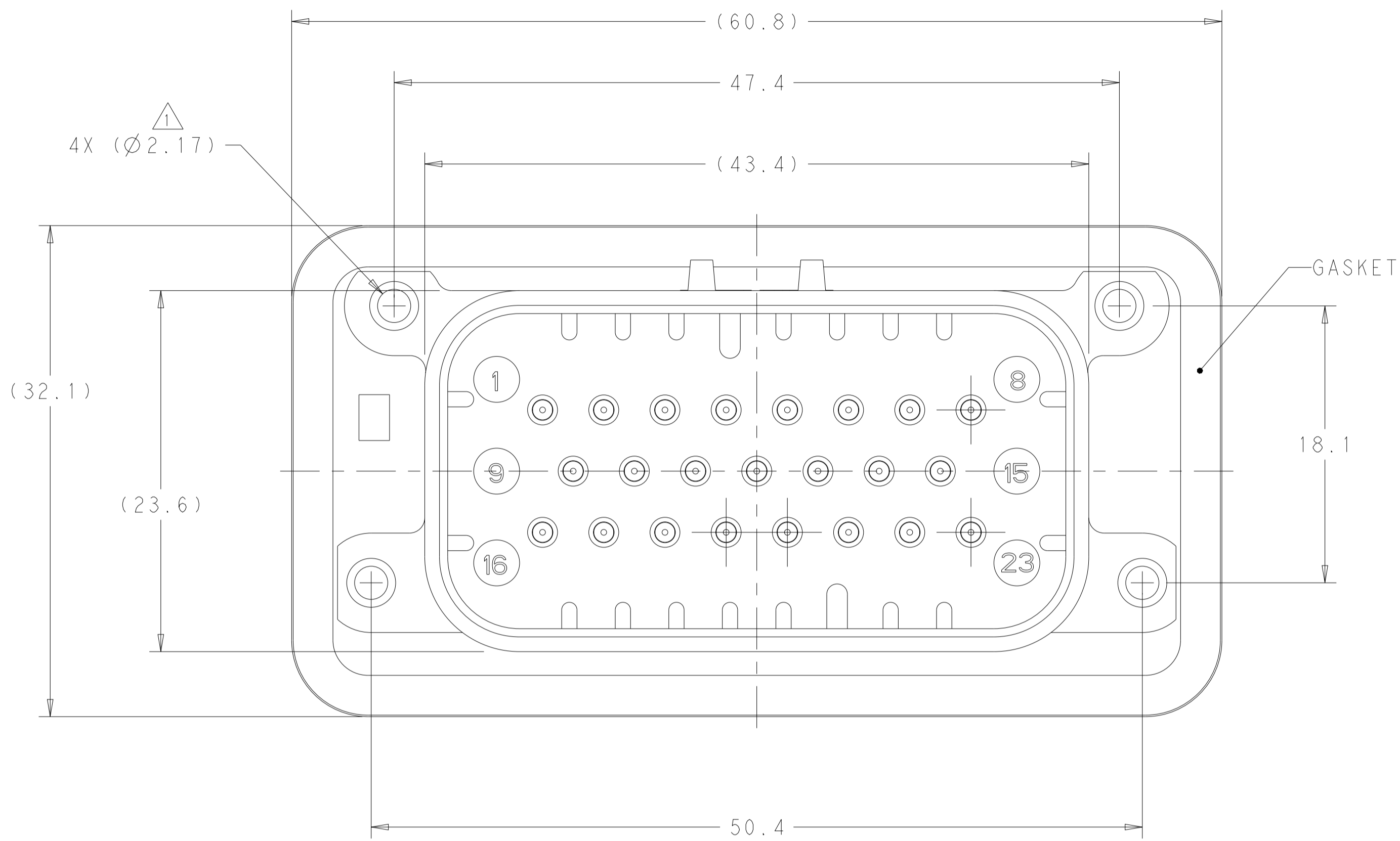
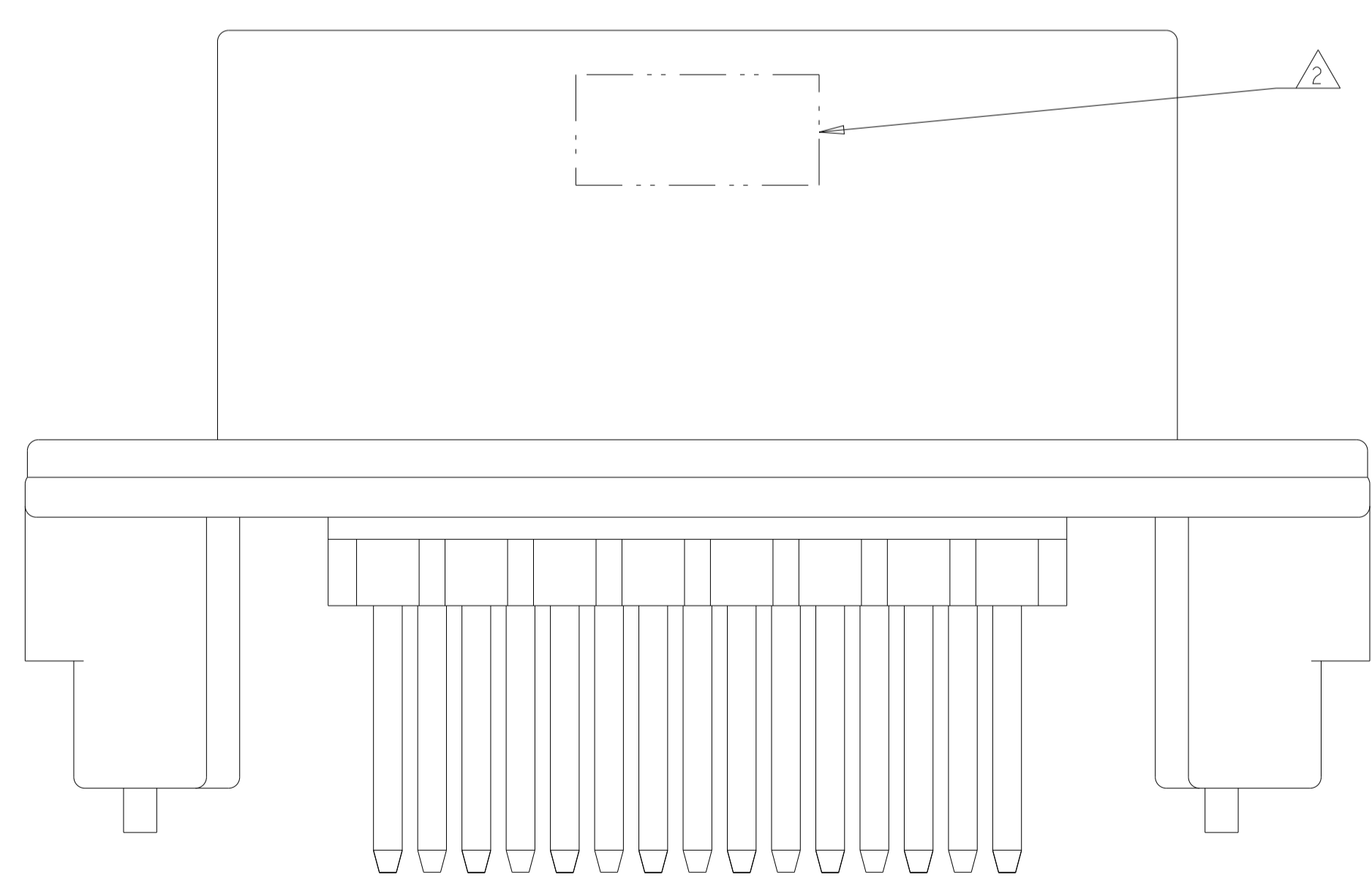


REVISIONS				
P	LTN	DESCRIPTION	DATE	OWN APVD
C15		REVISED PER ECO-20-004256	25MAR2020	JM DS
C16		REVISED PER PCN E-20-016603	20NOV2020	PN DS
D		REVISED PER ECN-21-123056	08NOV2021	DK CB



SECTION A-A

- 1. SUGGESTED MOUNTING SCREW SIZE IS Ø2.50-3.00mm (Ø0.099 - 0.118 INCH) SELF TAPPING THREAD FORMING SCREW, SUCH AS DELTA PT, TO BE DRIVEN AT 0.6-0.8 N-m. THE CUSTOMER SHOULD TEST THE SCREW SIZE AND TYPE IN ORDER TO VERIFY THEIR SELECTION FOR THEIR APPLICATION
- 2. DATE CODE IN THIS LOCATION USING 5 DIGIT CODE. FIRST 2 DIGITS = YEAR, SECOND 2 DIGITS = WEEK, LAST DIGIT = DAY
- 3. MATERIALS: HEADER HOUSING - GLASS FILLED PBT
PINS - TIN OR GOLD PLATED BRASS
GASKET - SILICONE
- 4. HOUSING COLORS ARE MECHANICALLY KEYED TO MATE ONLY WITH IDENTICALLY COLORED PLUG ASSEMBLIES.
- 5. HEADER MATES TO PLUG ASSEMBLY 770680 WHICH USES REELED TERMINAL 770520 OR LOOSE PIECE TERMINAL 770854

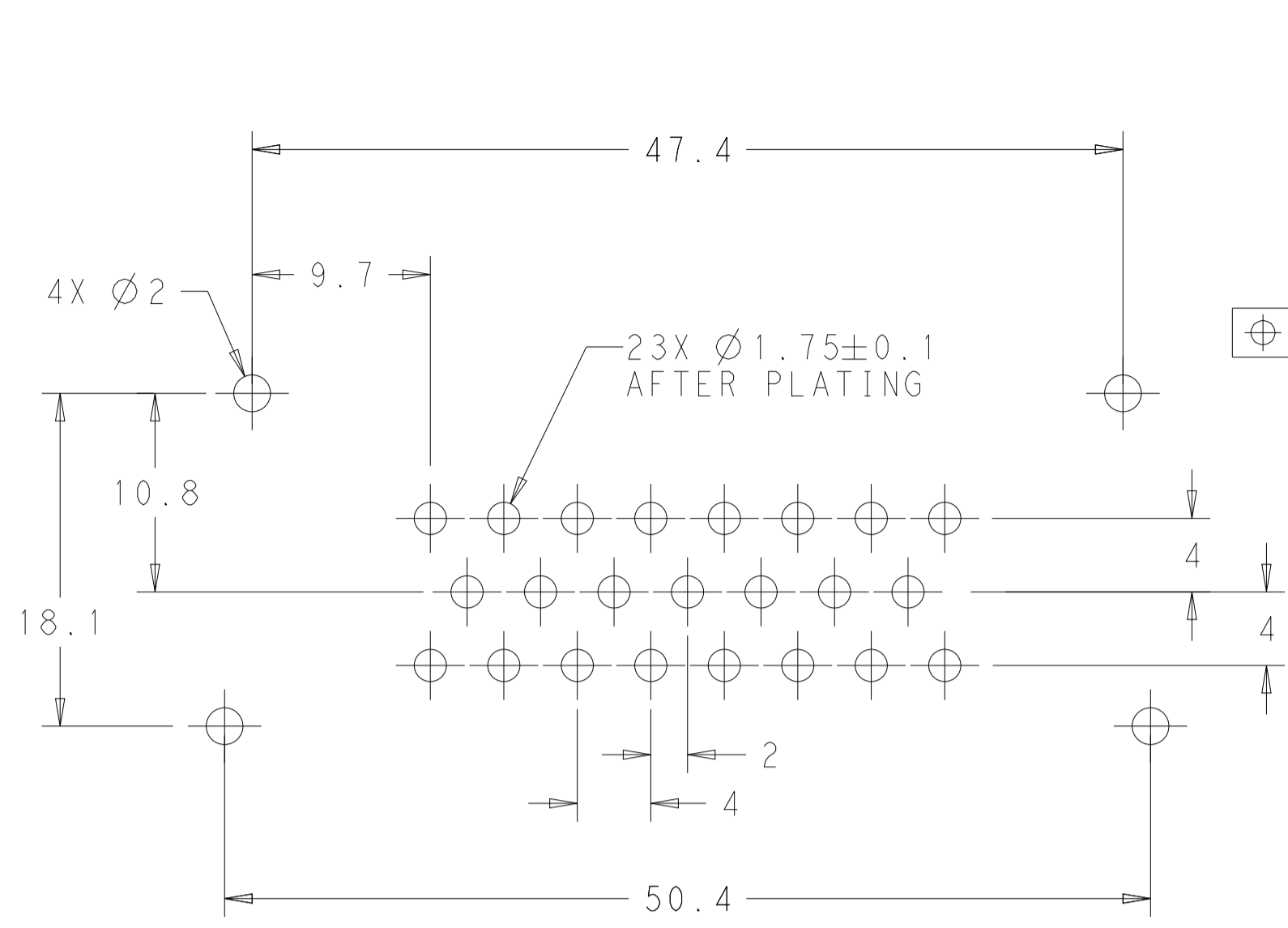


776228-1 & 1-776228-1 SHOWN

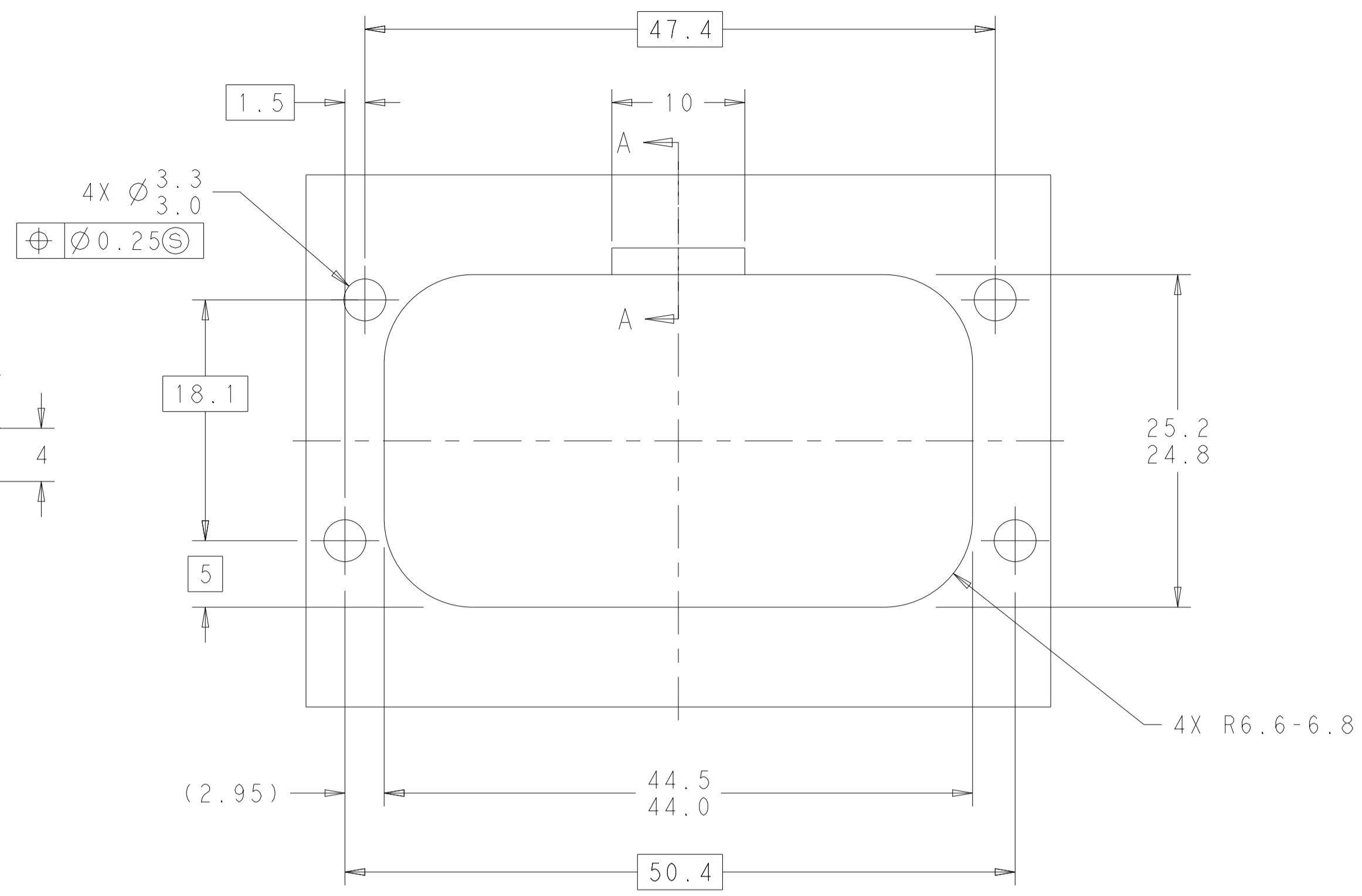
HEADER COLOR	PLATING	PART NUMBER
BLUE	GOLD	1-776228-5
GRAY	GOLD	1-776228-4
NATURAL	GOLD	1-776228-2
BLACK	GOLD	1-776228-1
BLUE	TIN	776228-5
GRAY	TIN	776228-4
NATURAL	TIN	776228-2
BLACK	TIN	776228-1

THIS DRAWING IS A CONTROLLED DOCUMENT.		OWN: D. STRAUSSER 05MAR2020	D. STRAUSSER 25MAR2020	
DIMENSIONS: mm		CHK: D. STRAUSSER 25MAR2020	APVD: D. STRAUSSER 27APR2020	
TOLERANCES UNLESS OTHERWISE SPECIFIED:		NAME: ASSEMBLY, HEADER, 23 POSITION, VERTICAL, AMPSEAL WITH FLANGE SEAL		
0 PLC	±	PRODUCT SPEC: 108-1329		
1 PLC	±0.2	APPLICATION SPEC: 114-16016		
2 PLC	±	SIZE: A1		
3 PLC	±	CAGE CODE: 00779		
4 PLC	±	DRAWING NO: 776228		
ANGLES	±	RESTRICTED TO: -		
FINISH	±	WEIGHT: 22.68g		
MATERIAL: 3		CUSTOMER DRAWING		
3		SCALE: 4:1 SHEET 1 OF 2 REV D		

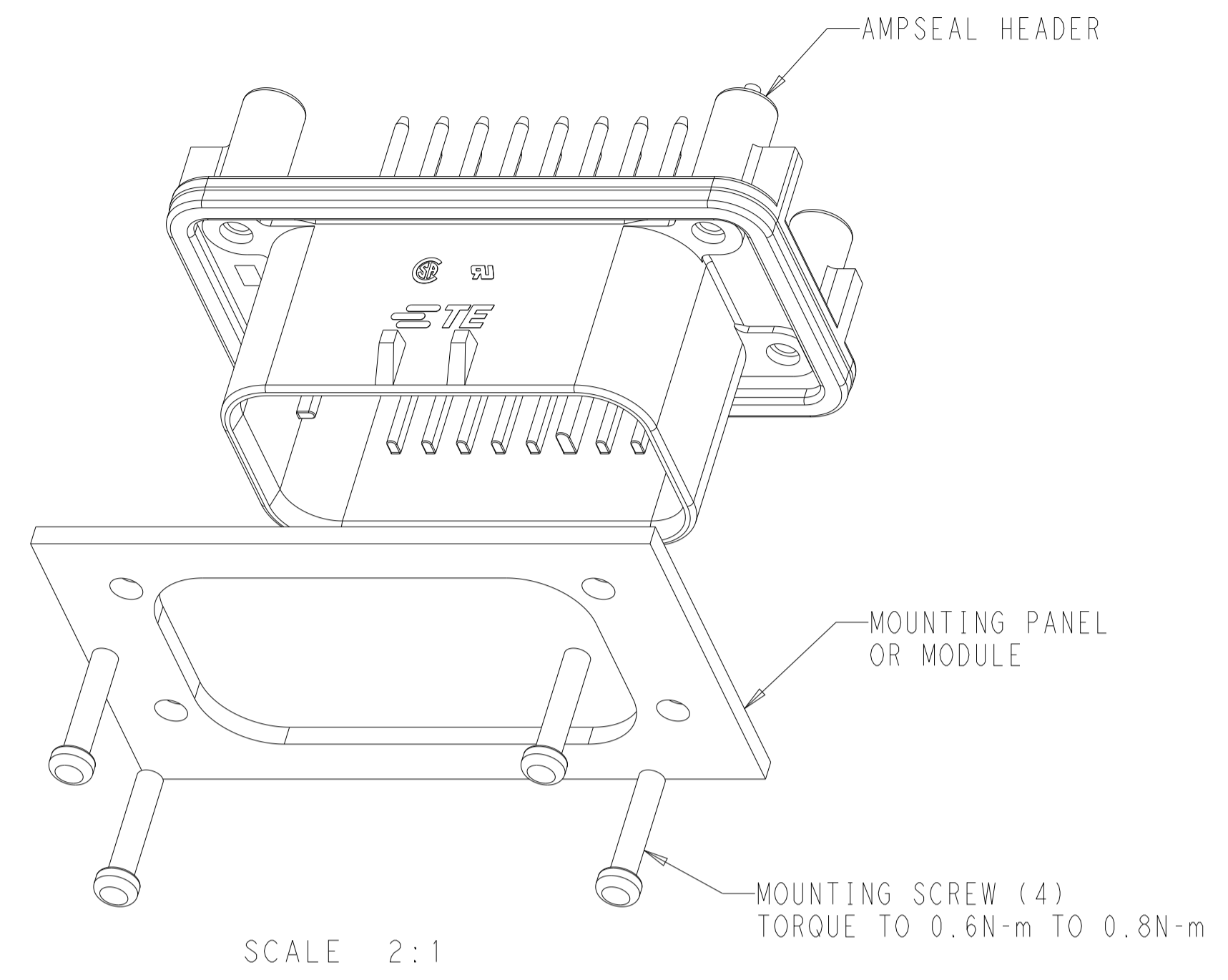
REVISIONS				
P. LTH	DESCRIPTION	DATE	OWN	APVD
-	SEE SHEET 1	-	-	-



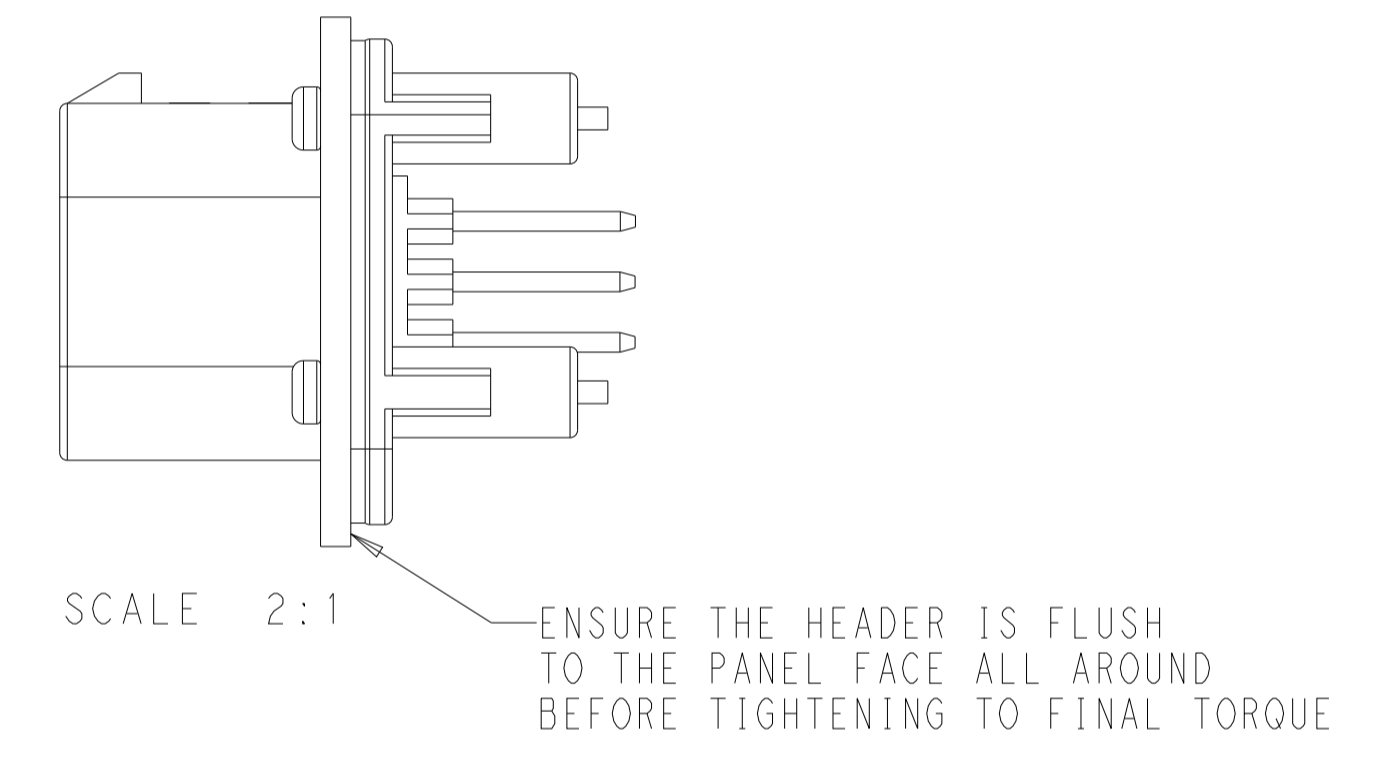
RECOMMENDED P.C. BOARD LAYOUT FOR 1.57 THICK P.C. BOARD



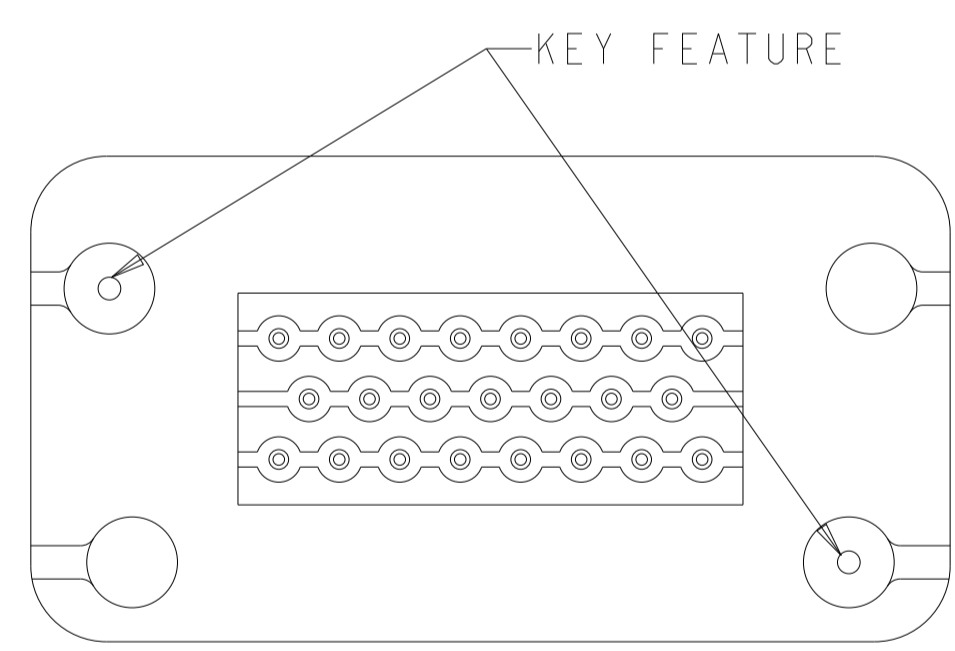
RECOMMENDED MOUNTING HOLE LAYOUT FOR 5.0 MAX THICK PANEL



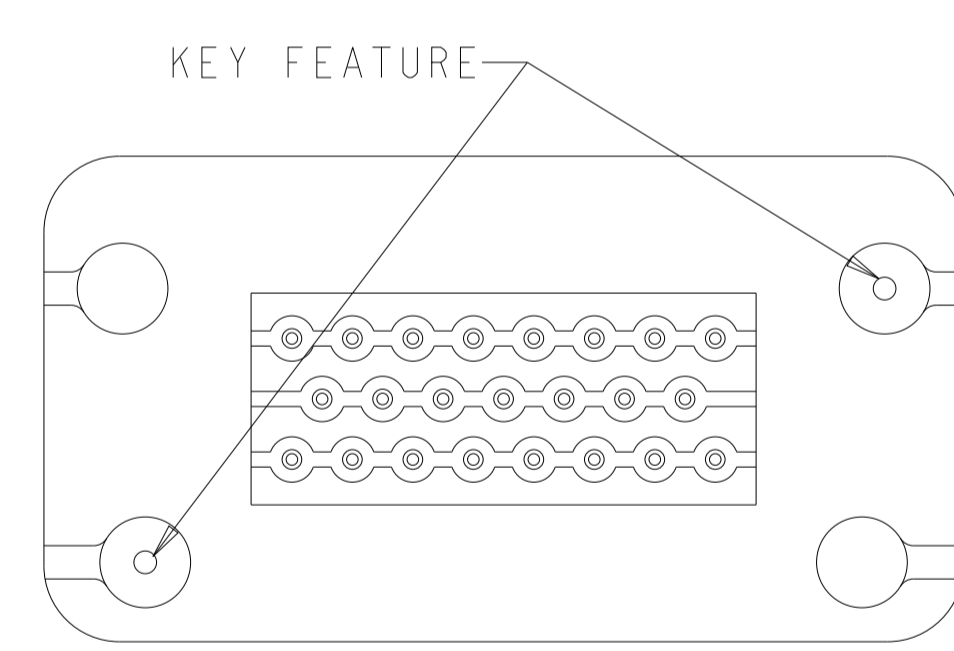
SCALE 2:1



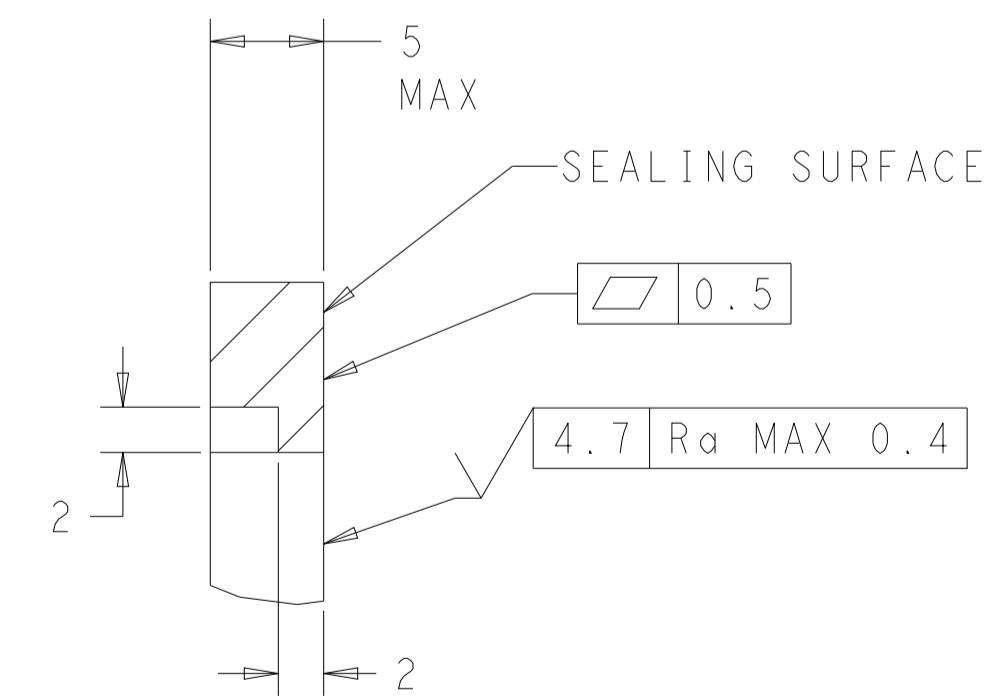
SCALE 2:1



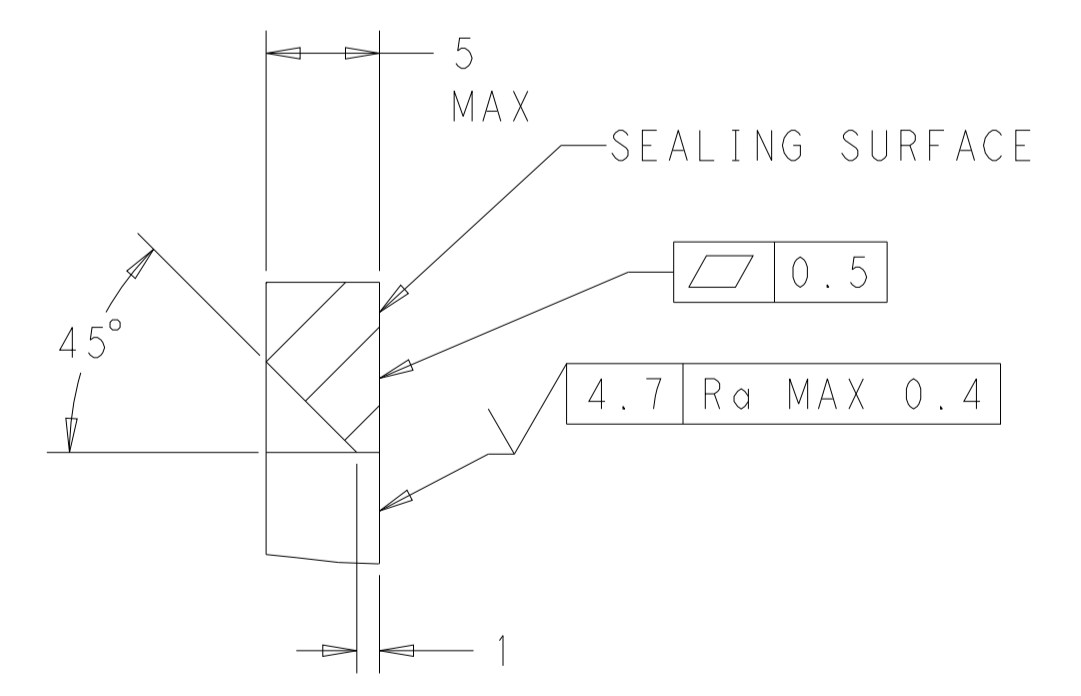
KEYING FOR 776228-1 AND 776228-5 SCALE 2:1



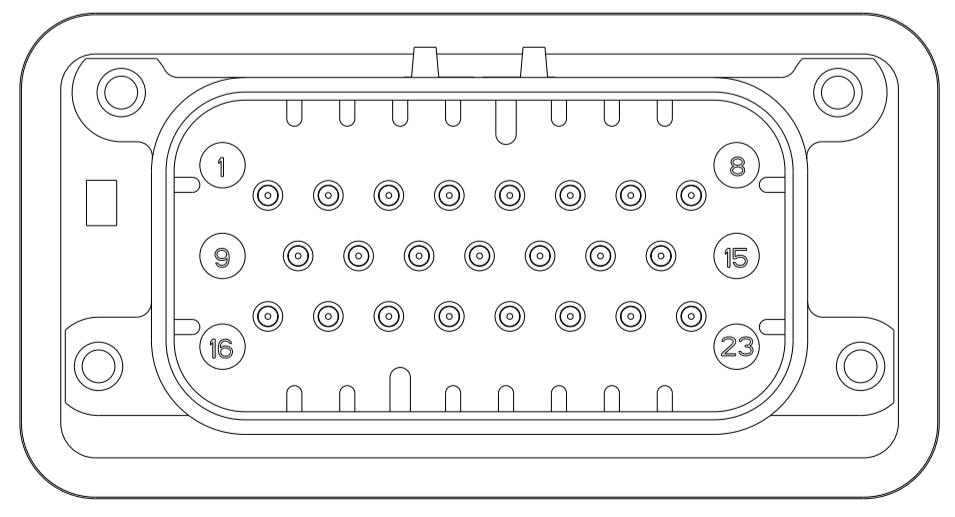
KEYING FOR 776228-2 AND 776228-4 SCALE 2:1



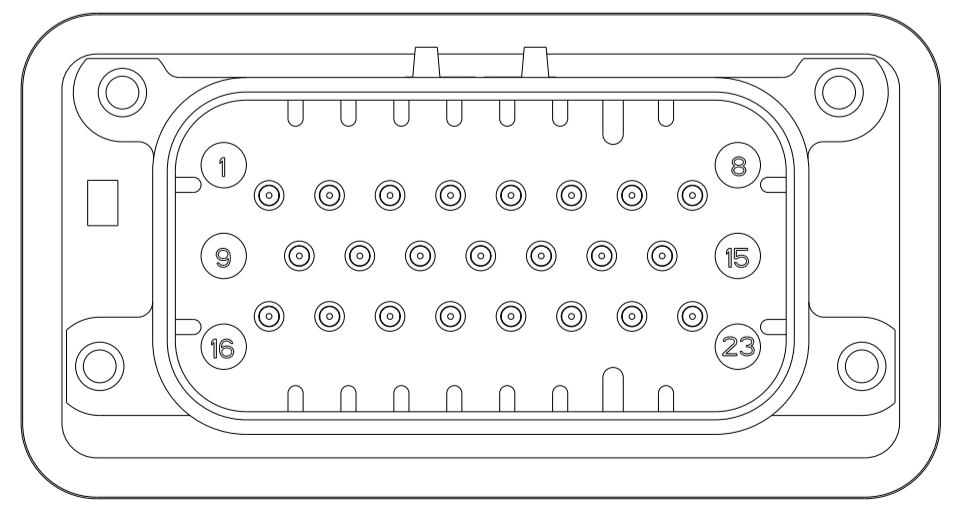
SECTION A-A OPTIONAL CONSTRUCTION IF PANEL THICKNESS IS GREATER THAN 2.0



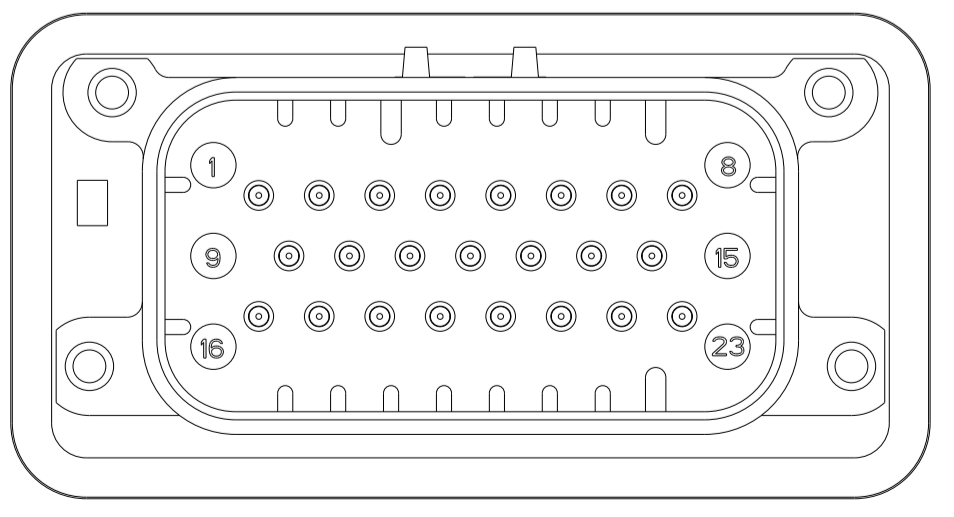
SECTION A-A OPTIONAL CONSTRUCTION IF PANEL THICKNESS IS GREATER THAN 2.0



776228-2 & 1-776228-2 KEY LOCATION SCALE 2:1



776228-4 & 1-776228-4 KEY LOCATION SCALE 2:1



776228-5 & 1-776228-5 KEY LOCATION SCALE 2:1

THIS DRAWING IS A CONTROLLED DOCUMENT.		OWN: D. STRAUSSER 05MAR2010	STE TE Connectivity	
DIMENSIONS: mm		CHK: D. STRAUSSER 22MAR2010	ASSEMBLY, HEADER, 23 POSITION, VERTICAL, AMPSEAL WITH FLANGE SEAL	
TOLERANCES UNLESS OTHERWISE SPECIFIED:		APVD: D. STRAUSSER 27APR2010	NAME: ASSEMBLY, HEADER, 23 POSITION, VERTICAL, AMPSEAL WITH FLANGE SEAL	
0 PLC ±0.2		PRODUCT SPEC: 108-1329	SIZE: CAGE CODE DRAWING NO: 114-16016	
1 PLC ±0.2		APPLICATION SPEC: 114-16016	RESTRICTED TO: A100779C=776228	
2 PLC ±0.2		WEIGHT: 22.68g	SCALE: 2:1 SHEET 2 OF 2 REV D	
3 PLC ±0.2		CUSTOMER DRAWING		
4 PLC ±0.2				
ANGLES ±0.5				
FINISH ±0.4				

X-ON Electronics

Largest Supplier of Electrical and Electronic Components

Click to view similar products for [Automotive Connectors](#) category:

Click to view products by [TE Connectivity](#) manufacturer:

Other Similar products are found below :

[003-018-000](#) [60403001](#) [60993906-B](#) [M902-2131](#) [M902-2161](#) [M902-2344](#) [72.330.1035.1](#) [73.353.4028.0](#) [F119300-B](#) [F166900](#) [F258300-B](#)
[F358300-B](#) [F407400](#) [F444110](#) [F487000](#) [F509500B-B](#) [827153-1](#) [8N1515-32-24P](#) [9-1326729-8](#) [925474-1](#) [928905-1](#) [964562-4](#) [968782-1](#)
[GT17SA-8DS-HU](#) [98891-1012](#) [98947-1016](#) [12004147](#) [12004475-L](#) [12010290](#) [12010309-B](#) [12015454](#) [12020219-B](#) [12041318-B](#) [12052225-](#)
[L](#) [12052466](#) [12064869](#) [12004327-B](#) [12015308](#) [12015384](#) [12015909](#) [1-21030-1](#) [12041254](#) [12041318](#) [12047946-B](#) [12047957](#) [12047957-L](#)
[12059473](#) [12066261](#) [12110546](#) [12110546-B](#)