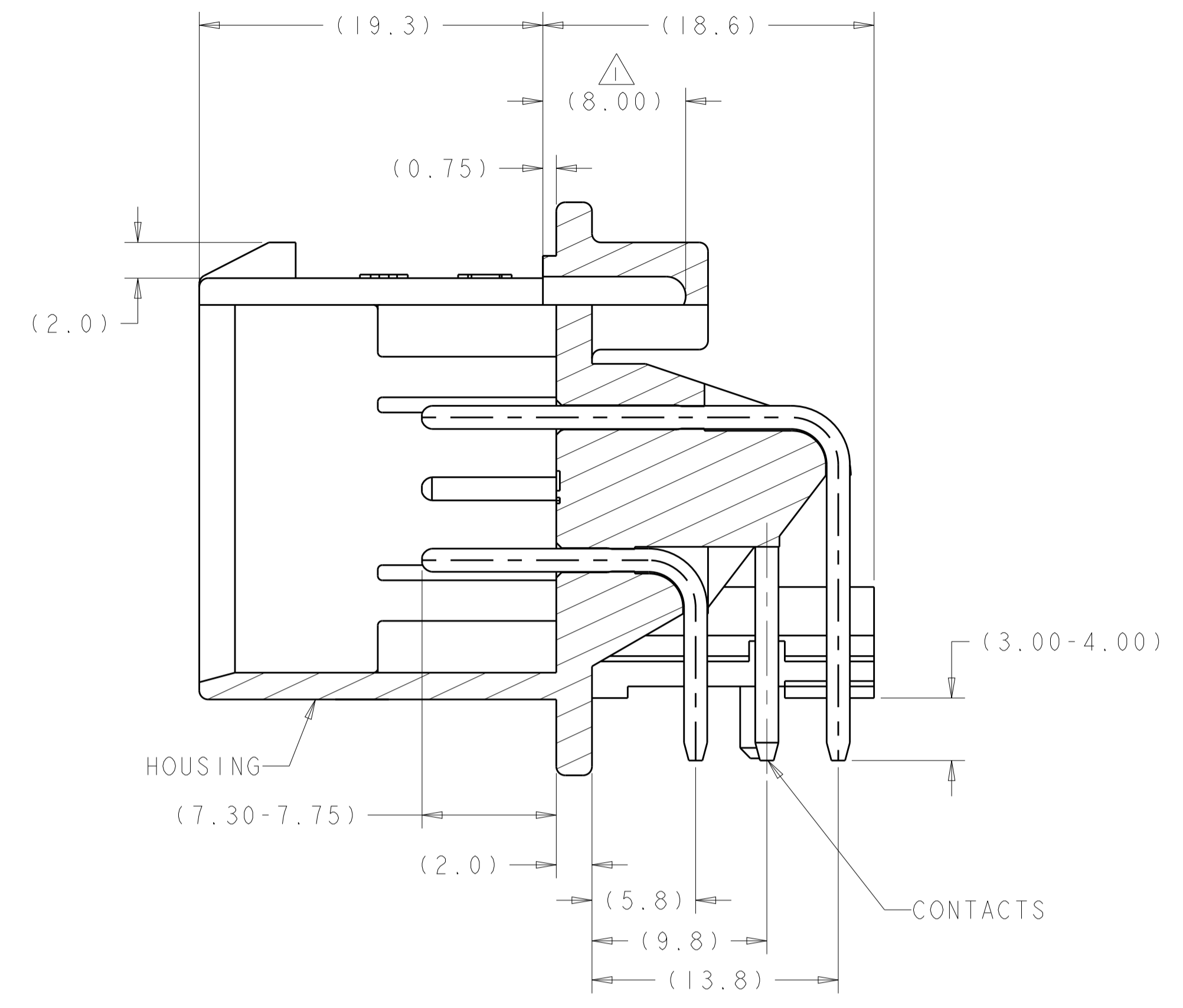
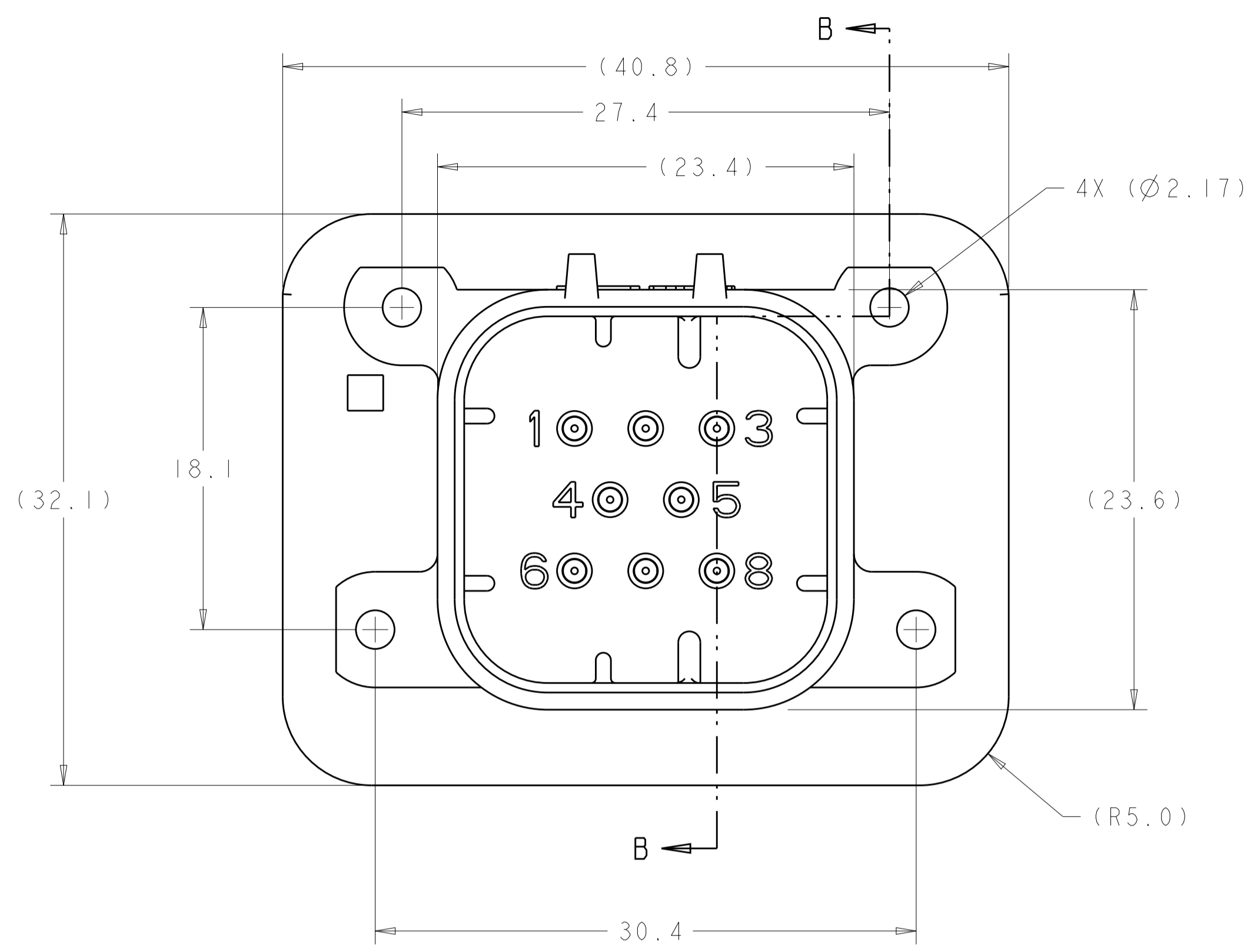
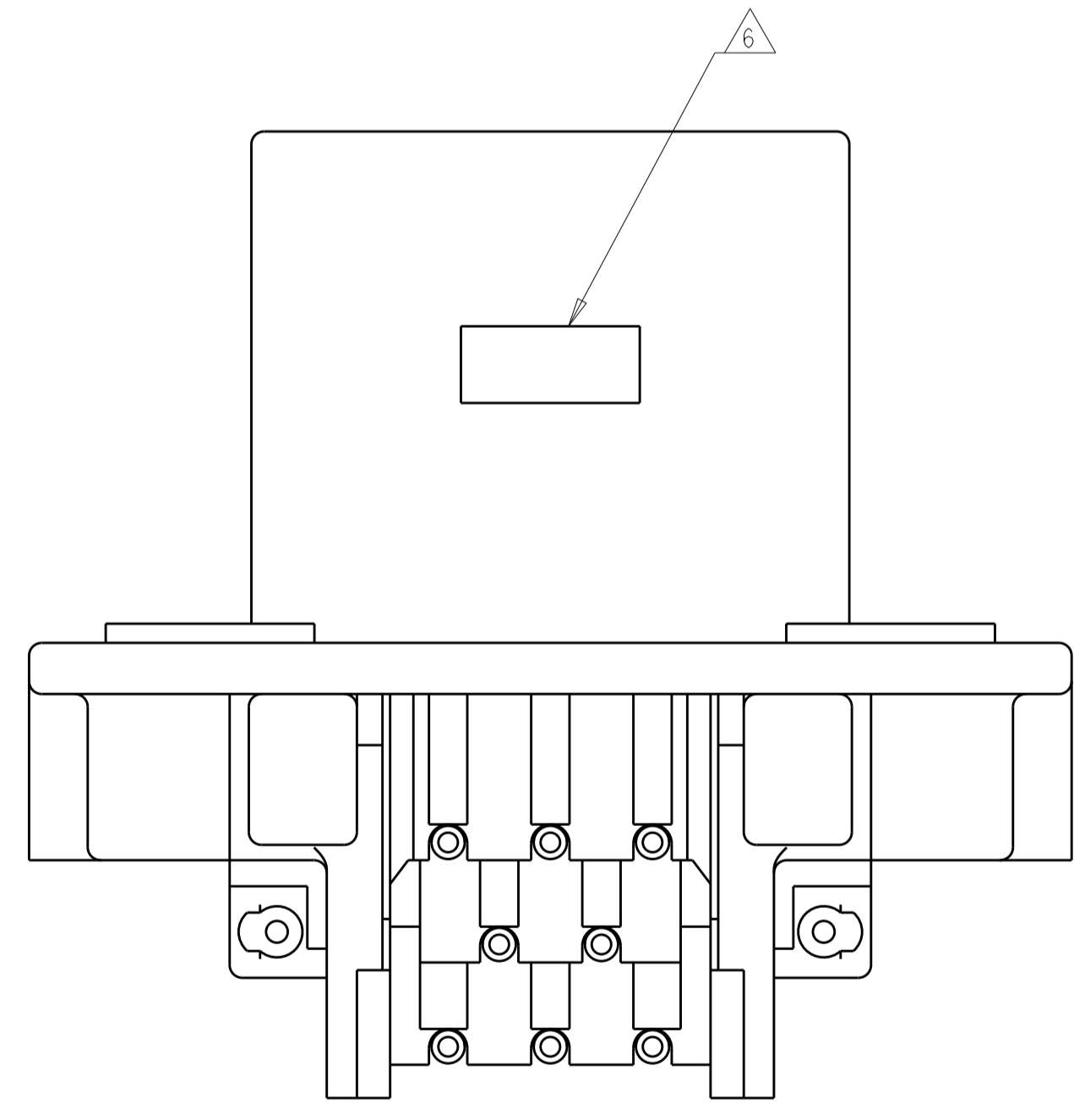


REVISIONS					
P.	LTM	DESCRIPTION	DATE	OWN	APVD
F8		REVISED PER ECO-19-009419	19JUN2019	DS	DS
F9		REVISED PER ECO-20-004256	25MAR2020	JM	DS
F10		REVISED PER PCN E-20-016603	20NOV2020	PN	DS
F11		REV PER ECO-21-001365	29JAN2021	DS	DS



SECTION B-B



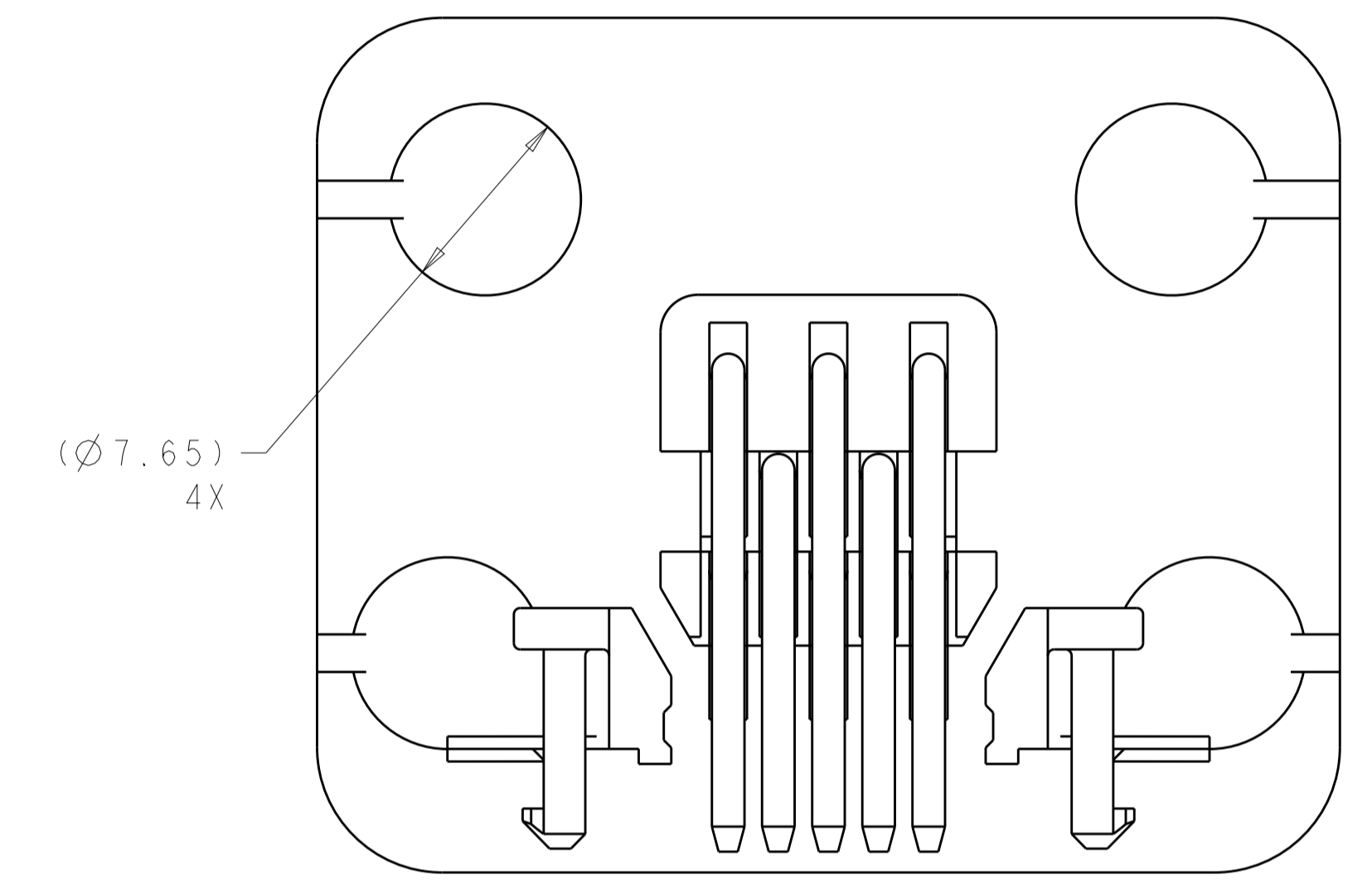
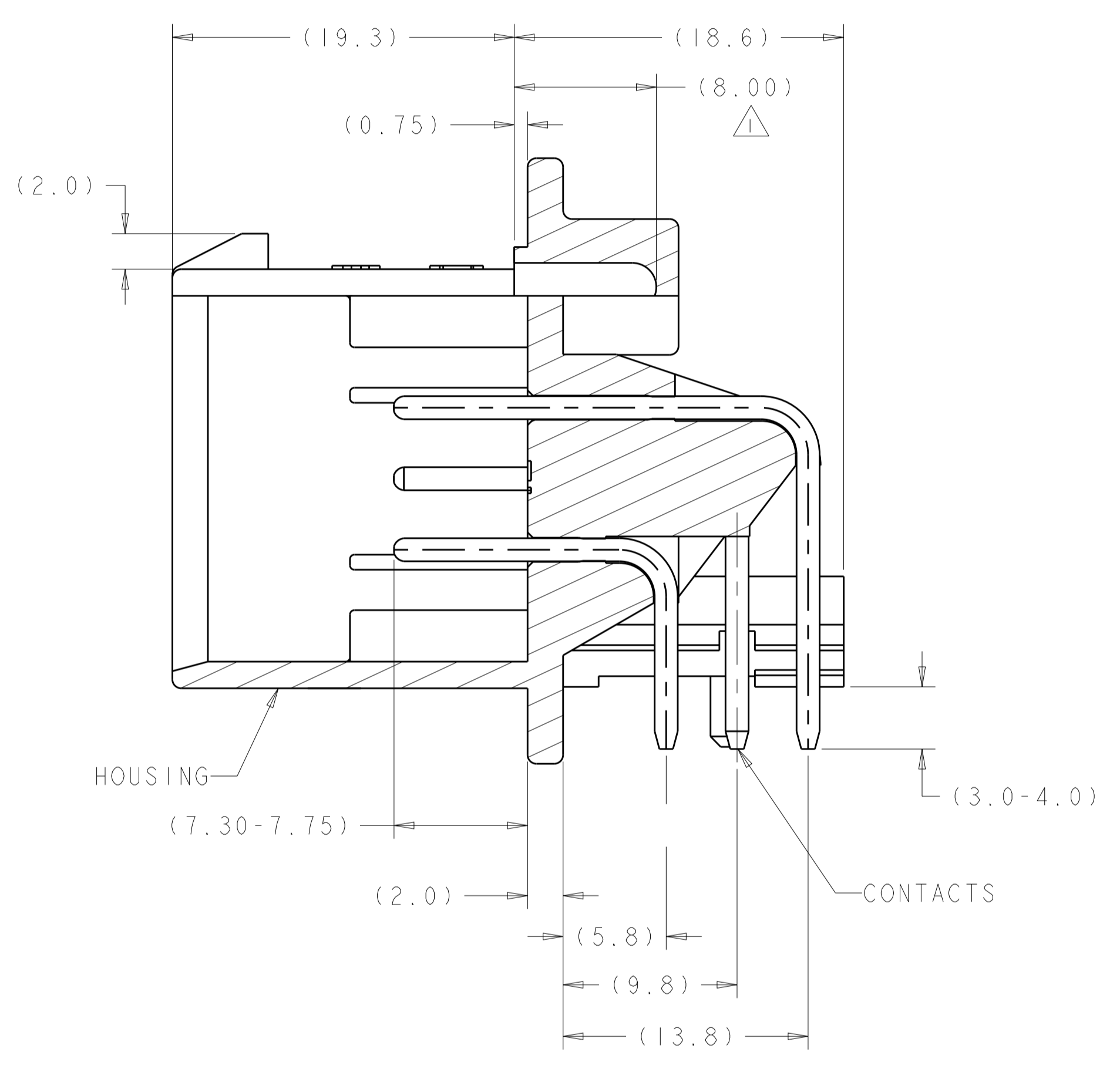
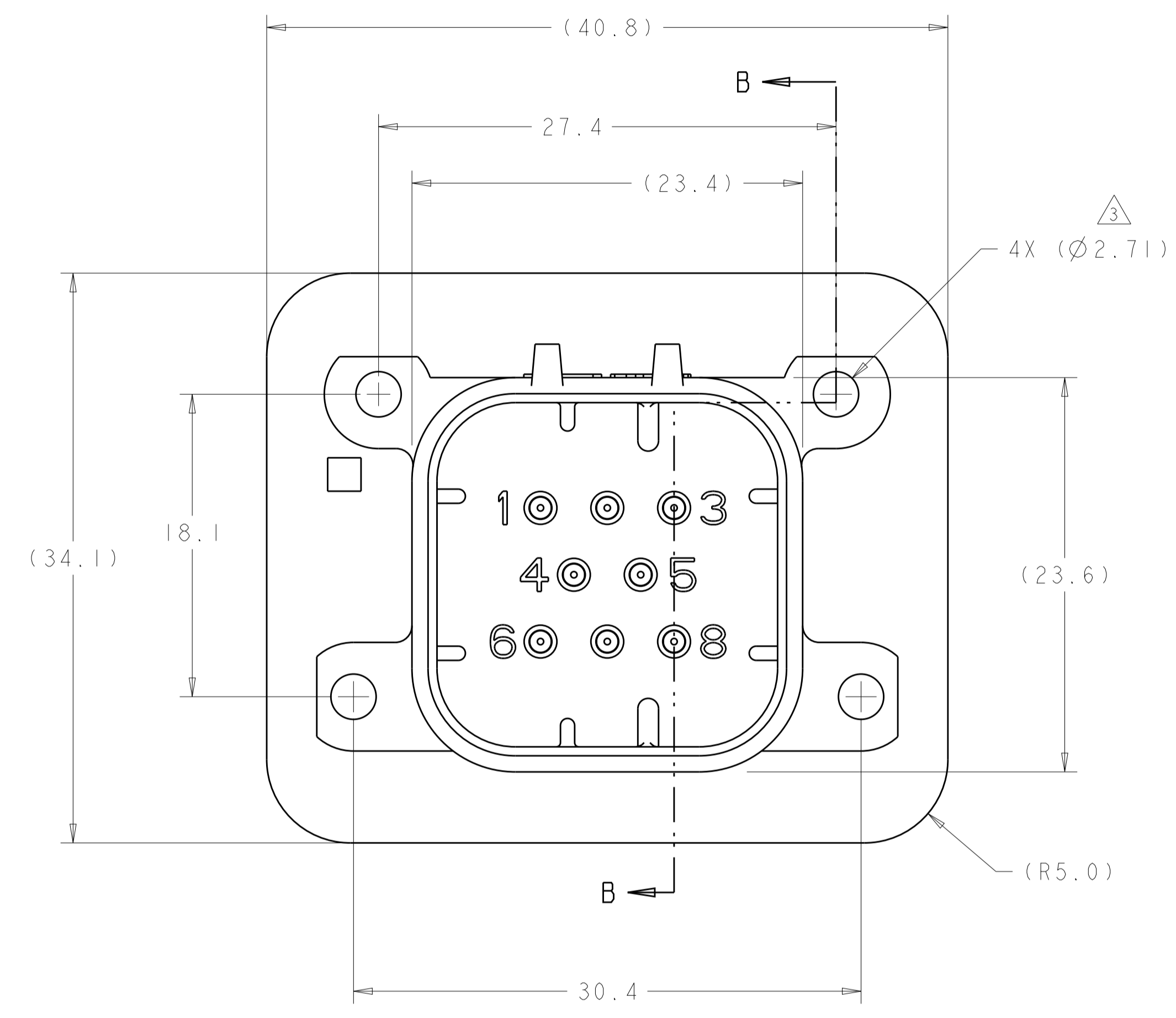
- 1 SUGGESTED MOUNTING SCREW SIZE IS Ø2.50-3.00mm [Ø0.099 - 0.118 INCH] SELF TAPPING THREAD FORMING SCREW, SUCH AS DELTA PT, TO BE DRIVEN AT 0.6-0.8 N-m THE CUSTOMER SHOULD TEST THE SCREW SIZE AND TYPE IN ORDER TO VERIFY THEIR SELECTION FOR THEIR APPLICATION
- 2 HOUSING COLORS ARE MECHANICALLY KEYED TO MATE ONLY WITH IDENTICALLY COLORED PLUG ASSEMBLIES.
- 3 REFER TO PAGE 2 FOR 776279-6 ASSEMBLY DIMENSIONS, RECOMMENDED MOUNTING HOLE AND P.C. BOARD LAYOUT ARE THE SAME FOR ALL DASH NUMBERS.
- 4. HEADER MATES TO PLUG ASSEMBLY 776286 WHICH USES REELED TERMINAL 770520 AND LOOSE PIECE TERMINAL 770854.
- 5 MATERIALS: GASKET - SILICONE  
 HEADER HOUSING - GLASS FILLED PBT  
 PINS - TIN OR GOLD PLATED BRASS
- 6 DATE CODE TO BE BRANDED IN THIS LOCATION PER TE SPEC 102-60. USE 5 DIGIT CODE: FIRST 2 DIGITS = YEAR, SECOND 2 DIGITS = WEEK, LAST DIGIT = DAY

NATURAL	GOLD PLATED	1-776279-2
BLACK	GOLD PLATED	1-776279-1
BLACK	TIN PLATED	3 776279-6
NATURAL	TIN PLATED	776279-2
BLACK	TIN PLATED	776279-1
HEADER HOUSING COLOR	PIN	PART NUMBER

THIS DRAWING IS A CONTROLLED DOCUMENT.		OWN J. MARKEY 29FEB08	TE Connectivity NAME HEADER ASSEMBLY, 8 POSITION, RIGHT ANGLE, AMPSEAL PRODUCT SPEC 108-1329 APPLICATION SPEC 114-16016 SIZE CAGE CODE DRAWING NO WEIGHT 15.62g CUSTOMER DRAWING
DIMENSIONS: mm		CHK J. MARKEY 29FEB08	
TOLERANCES UNLESS OTHERWISE SPECIFIED:		APVD J. MARKEY 29FEB08	
0 PLC ±0.2 2 PLC ±0.13 3 PLC ±0.13 4 PLC ±0.13 ANGLES ±0.5°		RESTRICTED TO	
MATERIAL FINISH		SCALE 4:1 SHEET 1 OF 3 REV F11	

REVISIONS				
P.	LTH	DESCRIPTION	DATE	APVD
-	-	SEE SHEET 1	-	-

- △ ACCEPTS #4-20 SELF TAPPING THREAD FORMING TWIN HELIX PLASTITE SCREW (SINGLE HELIX OPTIMAL)
- △ HOUSING COLORS ARE MECHANICALLY KEYS TO MATE ONLY WITH IDENTICALLY COLORED PLUG ASSEMBLIES.
- △ 0° 30' MAX DRAFT FROM TOP OF HOLE (1° INCLUDED ANGLE)



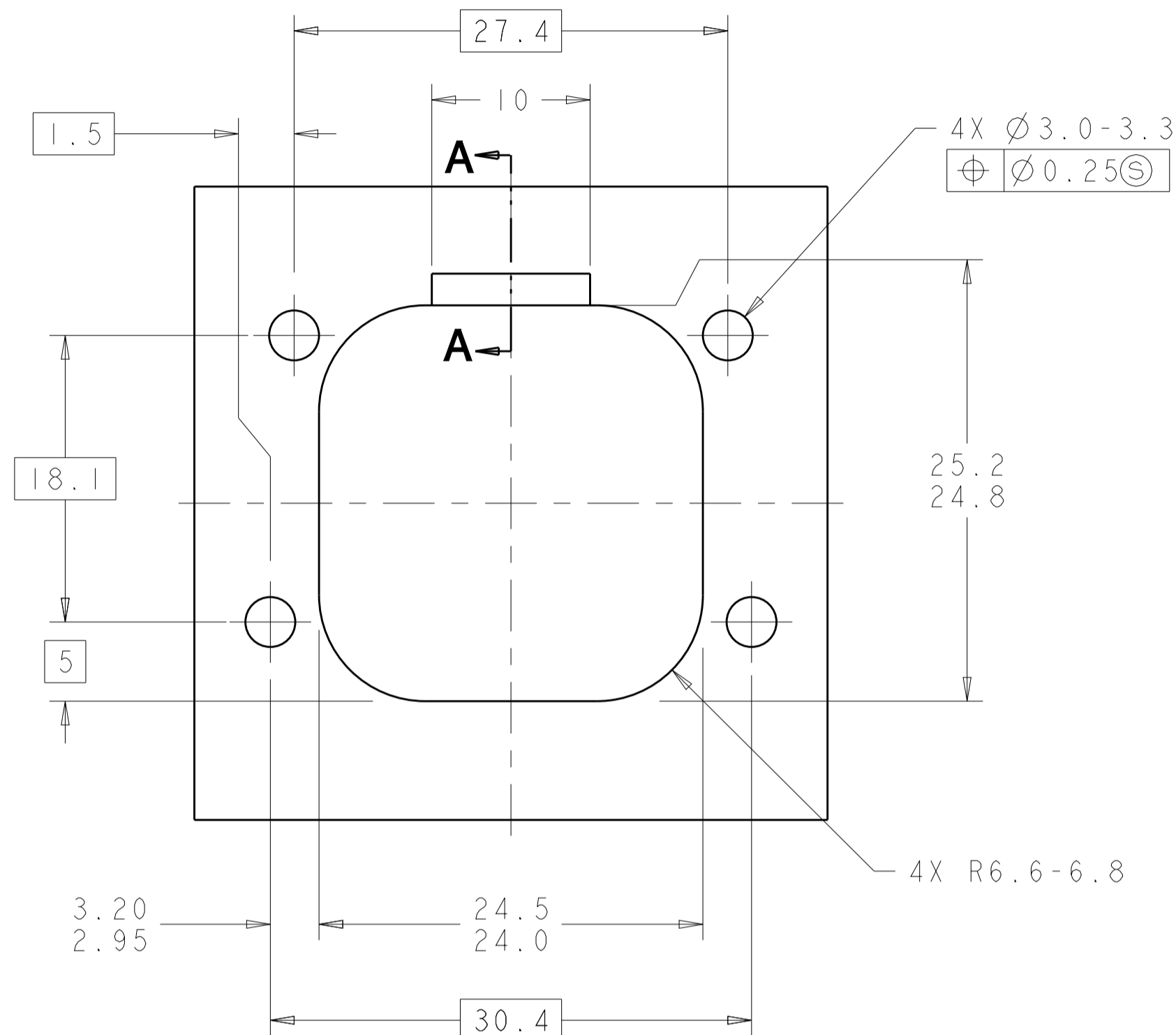
SECTION B-B

ASSEMBLY DIMENSIONS APPLY TO 776279-6 ONLY  
 (HOLE LAYOUT AND P.C. BOARD LAYOUT SHOWN APPLY TO ALL DASH NUMBERS)

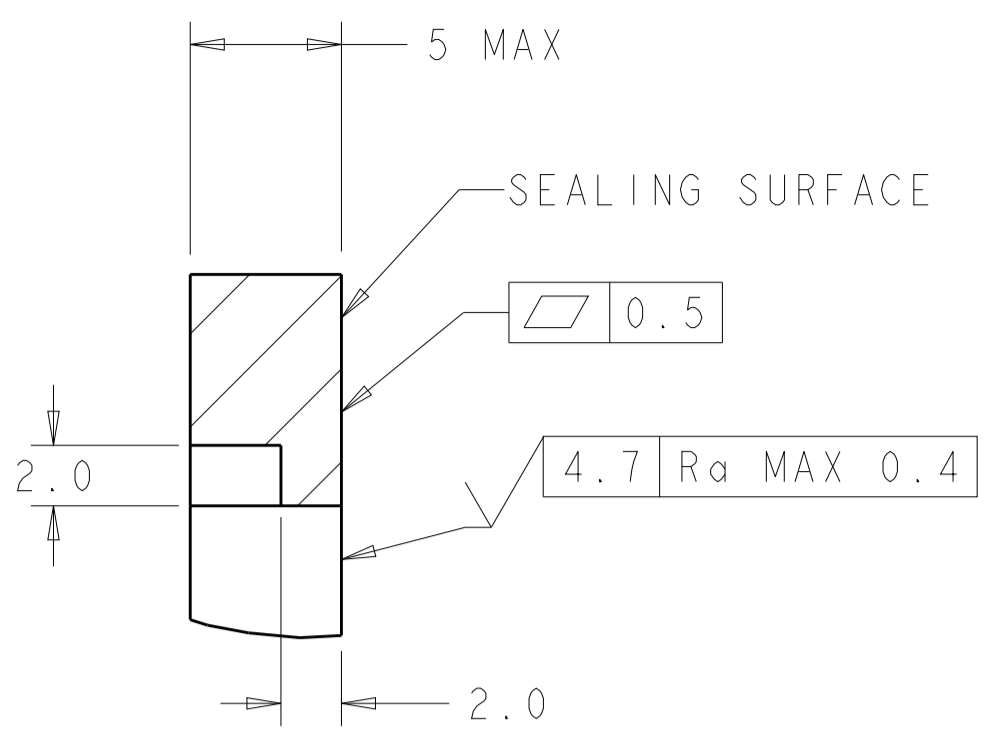
BLACK	TIN PLATED	776279-6
HEADER HOUSING COLOR	PIN	PART NUMBER

THIS DRAWING IS A CONTROLLED DOCUMENT.		DWN J. MARKEY 29FEB08	TE Connectivity
DIMENSIONS: mm		CHK J. MARKEY 29FEB08	
TOLERANCES UNLESS OTHERWISE SPECIFIED:		APVD J. MARKEY 29FEB08	
0 PLC ± 1 PLC ±0.2 2 PLC ±0.13 3 PLC ± 4 PLC ± ANGLES ±4°		NAME: HEADER ASSEMBLY, 8 POSITION, RIGHT ANGLE, AMPSEAL PRODUCT SPEC: 108-1329 APPLICATION SPEC: 114-16016 WEIGHT: 15.62g	
MATERIAL	FINISH	SIZE: 114-16016	RESTRICTED TO
CUSTOMER DRAWING		SCALE: 4:1	SHEET 2 OF 3

REVISIONS				
P.	LTN.	DESCRIPTION	DATE	APVD.
-	-	SEE SHEET 1	-	-

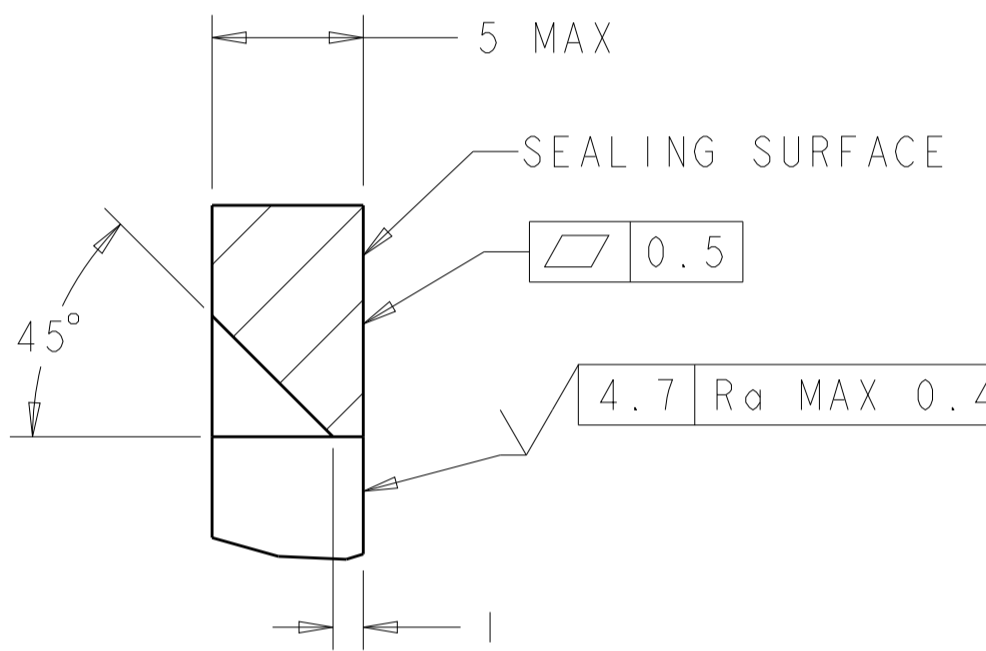


RECOMMENDED MOUNTING HOLE LAYOUT FOR 5.0 MAX THICK PANEL



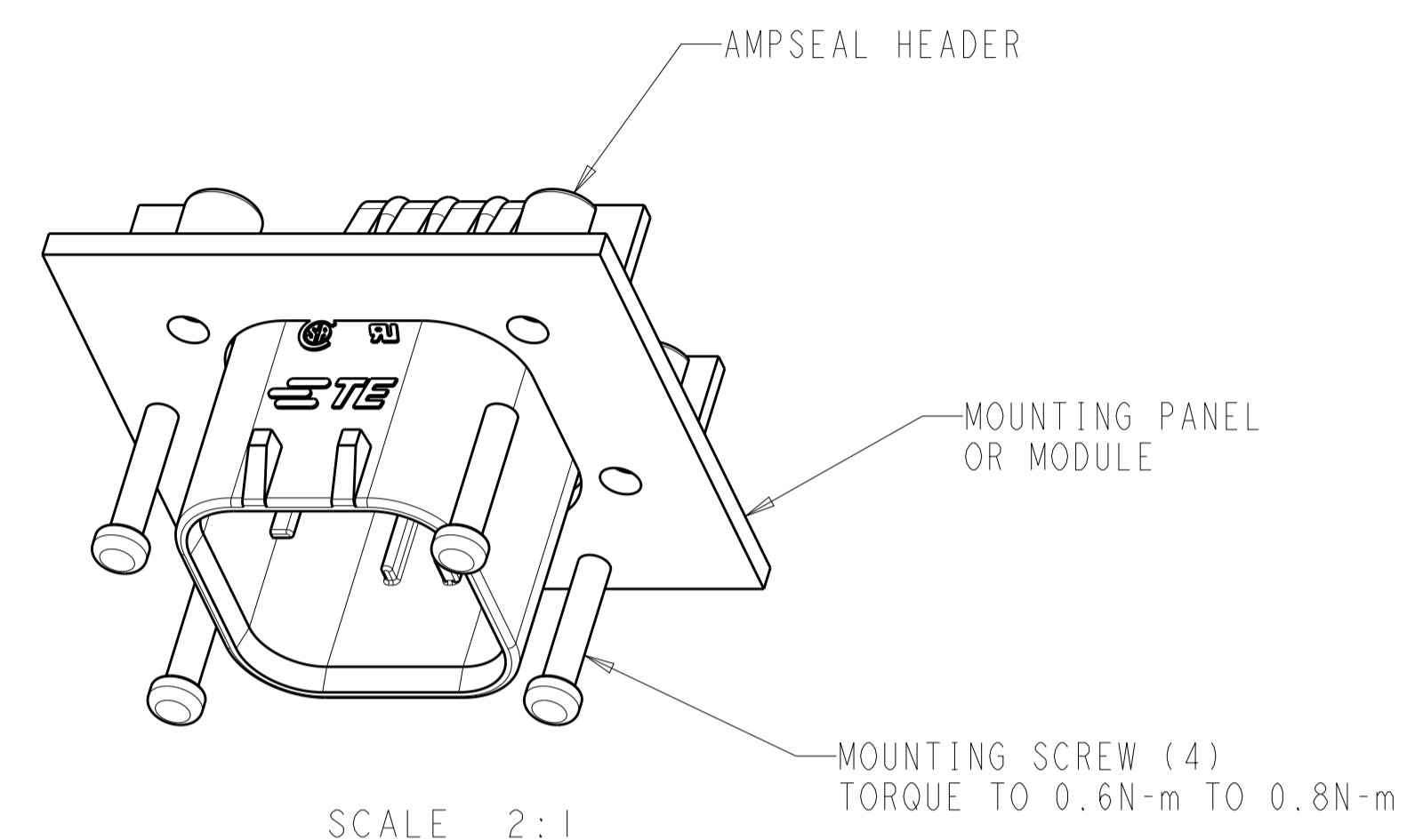
SECTION A-A  
OPTIONAL CONSTRUCTION IF PANEL THICKNESS IS GREATER THAN 2.0

SCALE 4:1

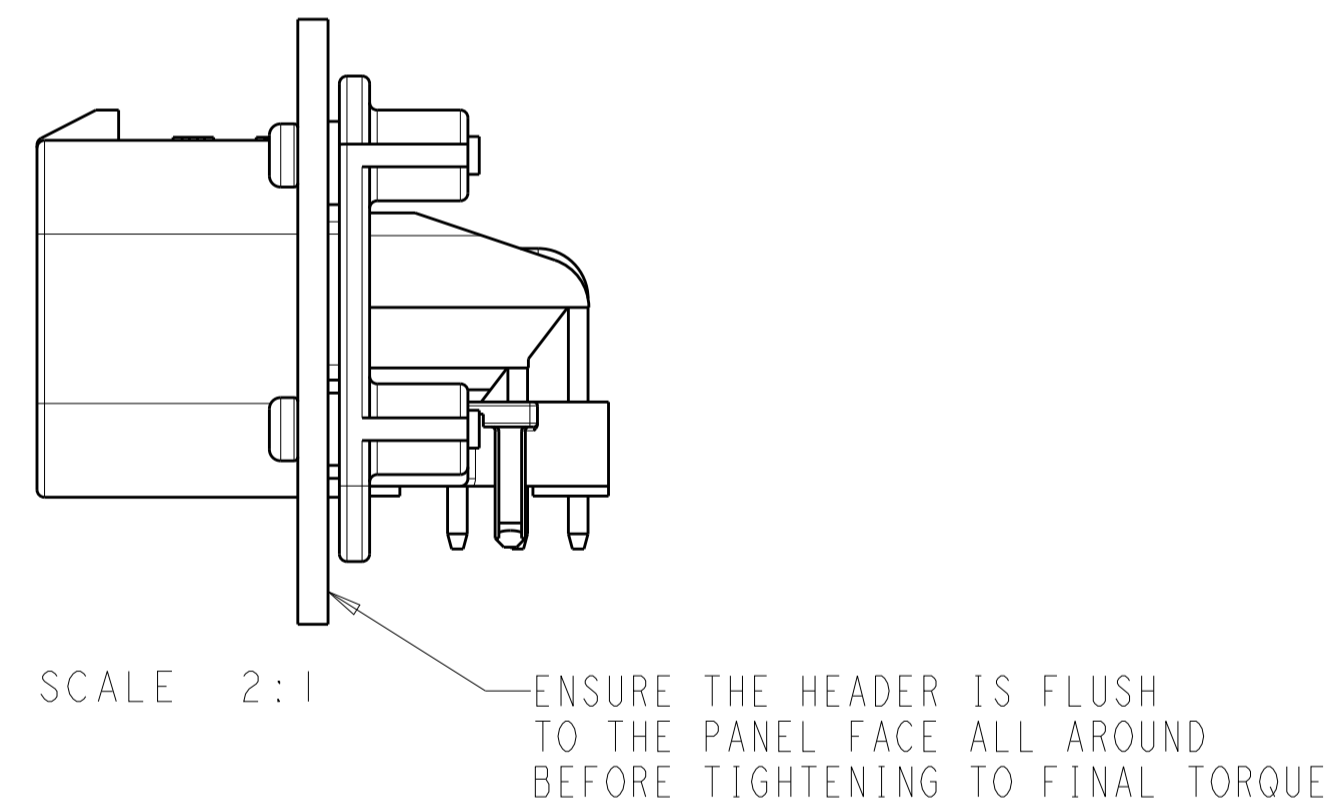


SECTION A-A  
OPTIONAL CONSTRUCTION IF PANEL THICKNESS IS GREATER THAN 2.0

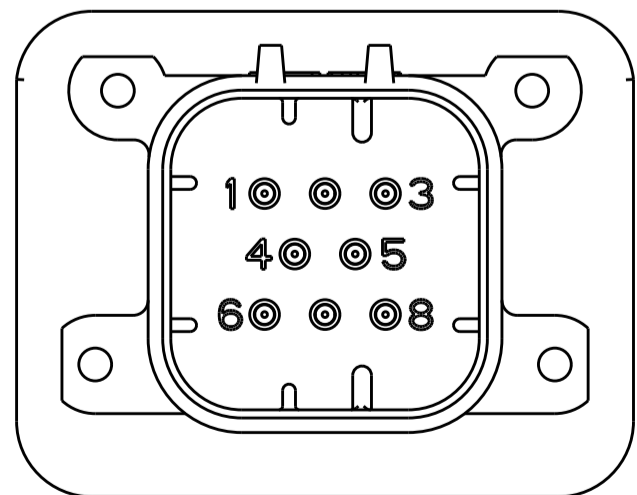
SCALE 4:1



SCALE 2:1

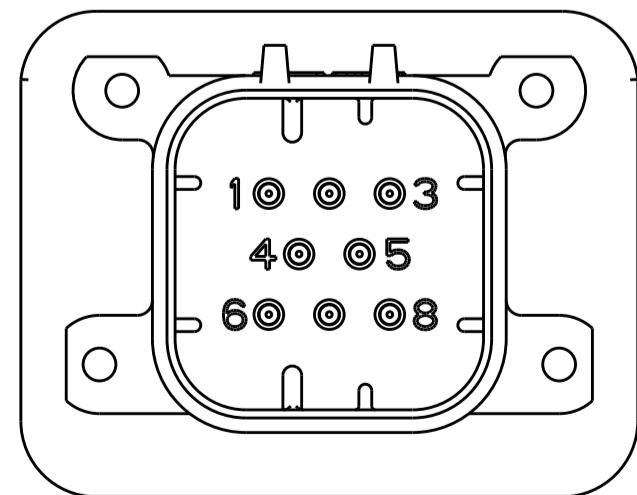


SCALE 2:1



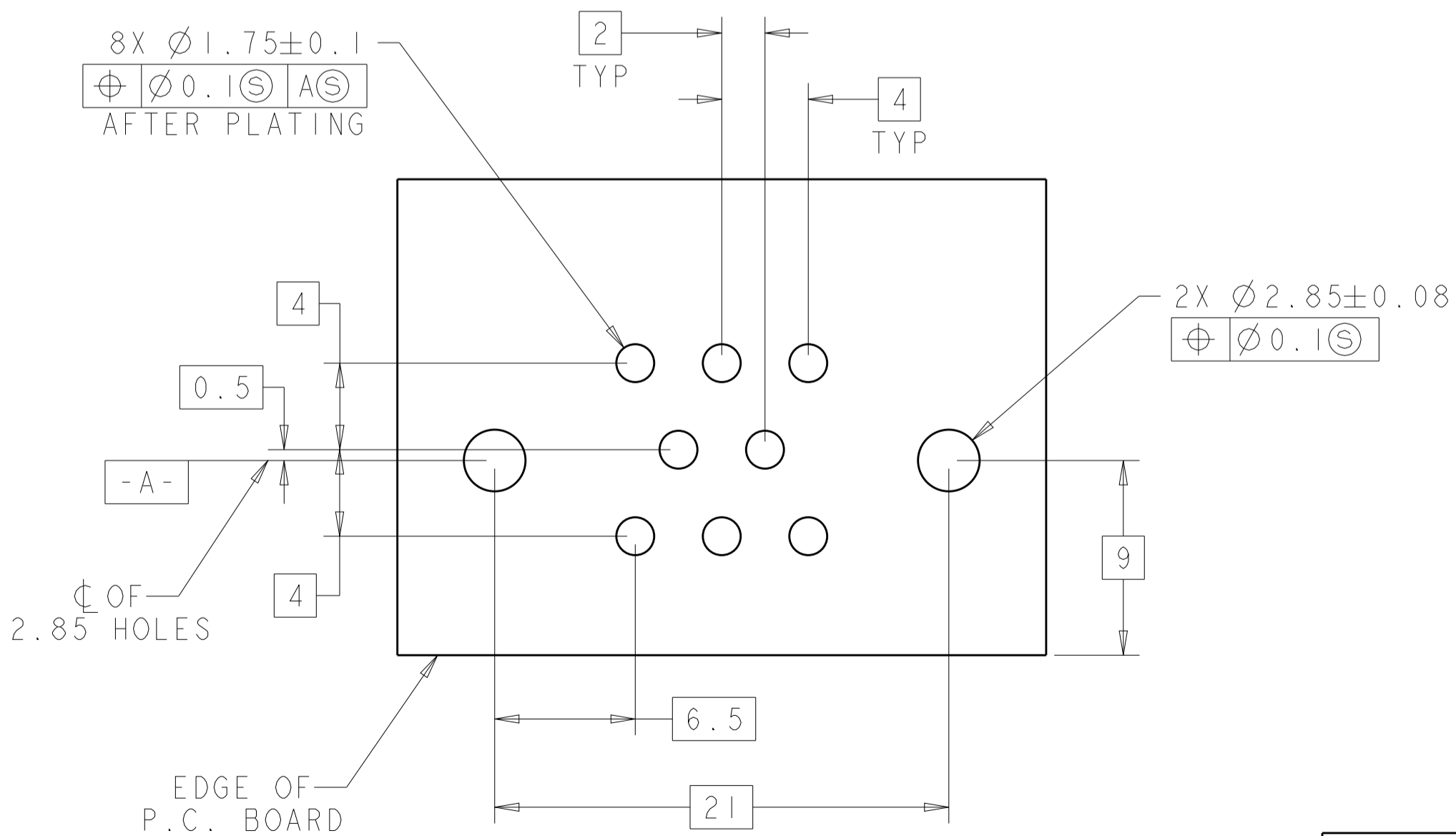
776279-1, 776279-6 & 1-776279-1  
KEY LOCATION

SCALE 2:1



776279-2 & 1-776279-2  
KEY LOCATION

SCALE 2:1



RECOMMENDED P.C. BOARD LAYOUT FOR 1.57 THICK P.C. BOARD

THIS DRAWING IS A CONTROLLED DOCUMENT.		DWN J. MARKEY 29FEB08 CHK J. MARKEY 29FEB08 APVD J. MARKEY 29FEB08	TE Connectivity
DIMENSIONS: mm 		NAME: HEADER ASSEMBLY, 8 POSITION, RIGHT ANGLE, AMPSEAL PRODUCT SPEC: 108-1329 APPLICATION SPEC: 114-16016 WEIGHT: 15.62g	
TOLERANCES UNLESS OTHERWISE SPECIFIED: 0 PLC ±. 1 PLC ±0.2 2 PLC ±0.13 3 PLC ±. 4 PLC ±. ANGLES ±4°		SIZE: CAGE CODE DRAWING NO: A100779 CUSTOMER DRAWING: C=776279	RESTRICTED TO: - SCALE: 4:1 SHEET 3 OF 3 REV: F

## X-ON Electronics

Largest Supplier of Electrical and Electronic Components

*Click to view similar products for [Automotive Connectors](#) category:*

*Click to view products by [TE Connectivity](#) manufacturer:*

Other Similar products are found below :

[003-018-000](#) [60403001](#) [60993906-B](#) [M902-2131](#) [M902-2161](#) [M902-2344](#) [72.330.1035.1](#) [73.353.4028.0](#) [F119300-B](#) [F166900](#) [F258300-B](#)  
[F358300-B](#) [F407400](#) [F444110](#) [F487000](#) [F509500B-B](#) [827153-1](#) [8N1515-32-24P](#) [9-1326729-8](#) [925474-1](#) [928905-1](#) [964562-4](#) [968782-1](#)  
[GT17SA-8DS-HU](#) [98891-1012](#) [98947-1016](#) [12004147](#) [12004475-L](#) [12010290](#) [12010309-B](#) [12015454](#) [12020219-B](#) [12041318-B](#) [12052225-](#)  
[L](#) [12052466](#) [12064869](#) [12004327-B](#) [12015308](#) [12015384](#) [12015909](#) [1-21030-1](#) [12041254](#) [12041318](#) [12047946-B](#) [12047957](#) [12047957-L](#)  
[12059473](#) [12066261](#) [12110546](#) [12110546-B](#)