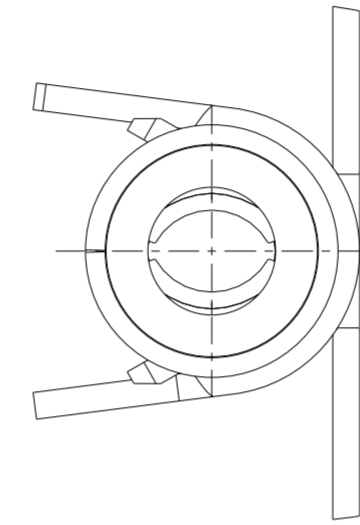
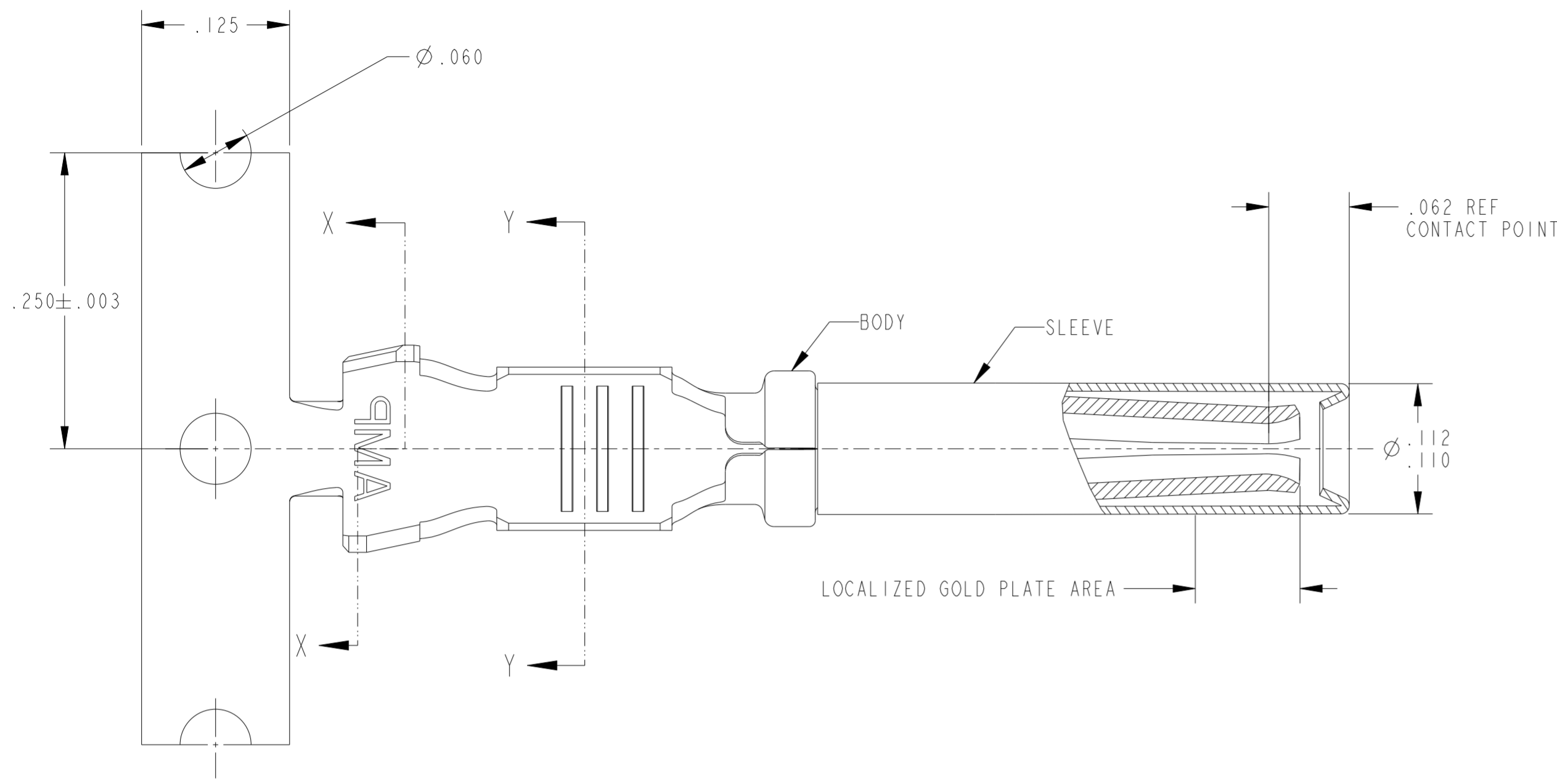
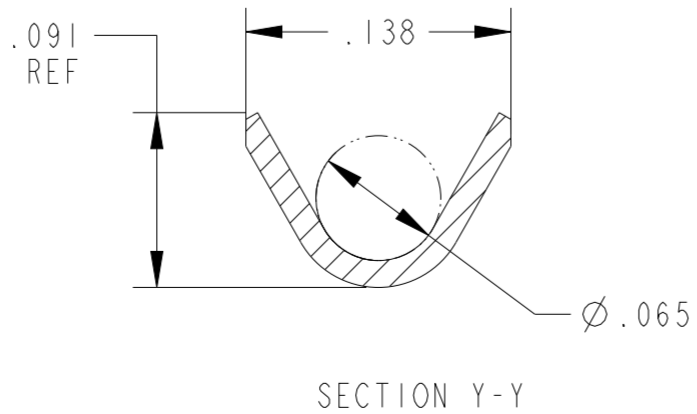
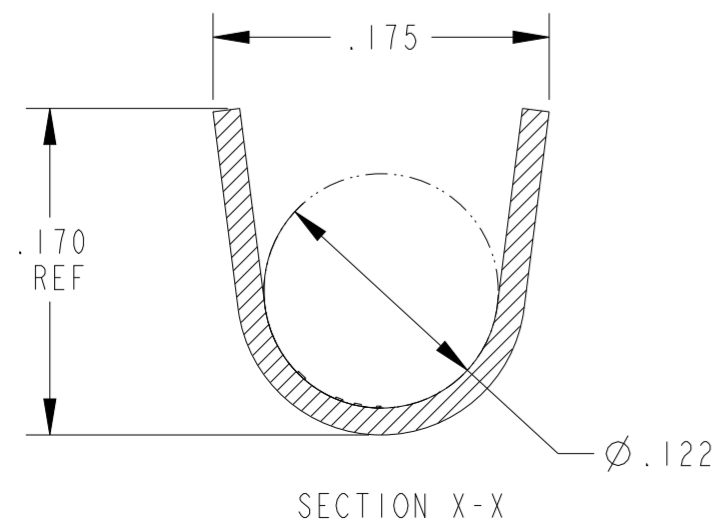
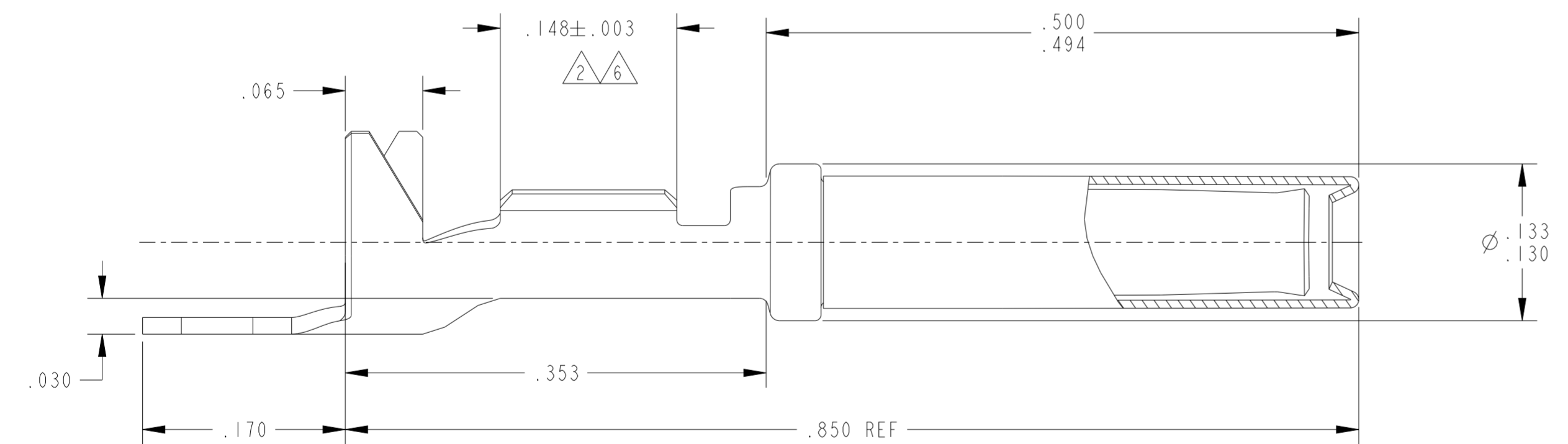


P	LTR	DESCRIPTION	DATE	DWN	APVD
0		REVISED PER EC 0K40-0124-04	03JUN2004	AH	MPT
P		REVISED PER PCN-22-147458	21JUL2022	SN	FC



- 1 MATERIAL:  
BODY: .014 THK. COPPER ALLOY.  
SLEEVE: .007 THK. STAINLESS STEEL
- 2 FINISH:  
BODY: .000030 MIN SELECT GOLD IN LOCALIZED GOLD PLATE AREA, AND .000100-.000200 TIN IN LOCALIZED TIN PLATE AREA.  
ALL OVER: .000040-.000080 THK. NICKEL.  
SLEEVE: PASSIVATE PER 112-230-2, METHOD 1.
- 3. CONTACT TO BE LUBED WITH LUBRICANT PER AMP P/N 22014-4.
- 4. WIRE RANGE: 20-18 AWG WITH INSULATION DIAMETERS OF .089 - .131 INCHES.
- 5. SLEEVE MUST WITHSTAND PULL OFF FORCE IN DIRECTION PARALLEL TO CENTRE OF TERMINAL OF 10 LBS MINIMUM.
- 6 MATERIAL:  
BODY: .000100 - .000200 TIN IN LOCALIZED TIN PLATE AREA.  
ALL OVER: .000040 - .000080 THK NICKEL.  
SLEEVE: PASSIVATE PER 112-230-2, METHOD 1.



6	776493-2
2	776493-1
FINISH	PART NUMBER

THIS DRAWING IS A CONTROLLED DOCUMENT.		DWN DL DRUMMOND	07MAY2004	<b>STE</b> TE Connectivity	
DIMENSIONS: INCHES		CHK MP TRULL	07MAY2004		
TOLERANCES UNLESS OTHERWISE SPECIFIED:		APVD MP TRULL	07MAY2004	NAME ASSEMBLY SOCKET	
0 PLC ±		PRODUCT SPEC		-	
1 PLC ±		APPLICATION SPEC	108-2422	-	
2 PLC ±.02		WEIGHT	114-13045	SIZE	A2
3 PLC ±.005		CUSTOMER DRAWING		CAGE CODE	00779
4 PLC ±		SCALE	10:1	DRAWING NO	G-776493
ANGLES ±		SHEET	1	RESTRICTED TO	-
FINISH	SEE TABLE	OF	1	REV	P

## X-ON Electronics

Largest Supplier of Electrical and Electronic Components

*Click to view similar products for [Automotive Connectors](#) category:*

*Click to view products by [TE Connectivity](#) manufacturer:*

Other Similar products are found below :

[003-018-000](#) [60993906-B](#) [M902-2131](#) [M902-2161](#) [M902-2344](#) [72.330.1035.1](#) [73.353.4028.0](#) [F166900](#) [F358300-B](#) [F407400](#) [776880-1](#)  
[827153-1](#) [8N1515-32-24P](#) [9-1326729-8](#) [925474-1](#) [928905-1](#) [964562-4](#) [968782-1](#) [98891-1012](#) [12004475-L](#) [12020308](#) [12041318-B](#)  
[12052466](#) [12064869](#) [12015909](#) [1-21030-1](#) [12041254](#) [12041318](#) [12047946-B](#) [12047957](#) [12110546-B](#) [12131792](#) [12092346](#) [HD34-18-14PT](#)  
[HD46-24-23SN-059](#) [HDB36-24-16PN-059](#) [HDP26-24-9SE-L015](#) [12185550](#) [12147304](#) [12191172-B](#) [12S](#) [13545280](#) [13681974](#) [13737722-B](#)  
[13755420](#) [13783086](#) [13830674](#) [13832576](#) [13849772](#) [13522378](#)