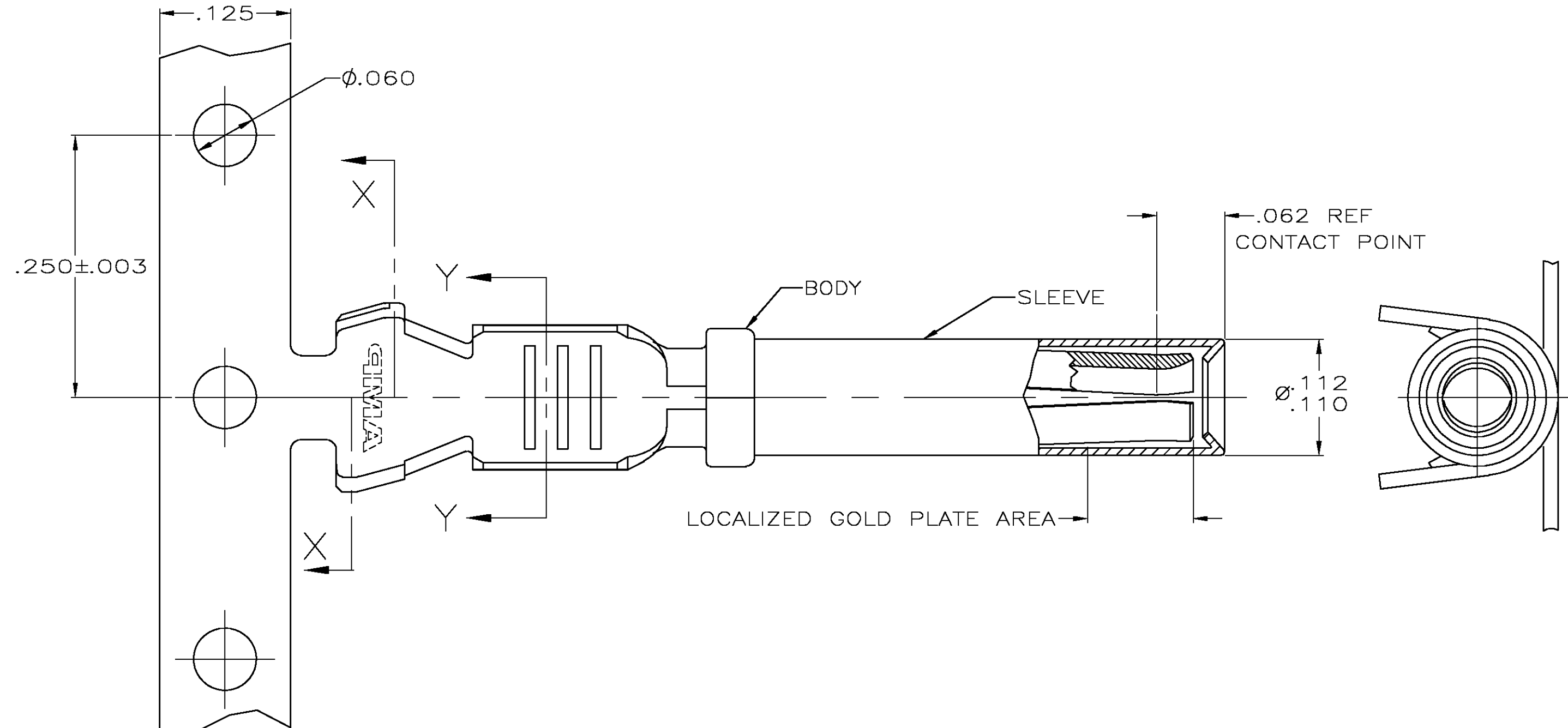
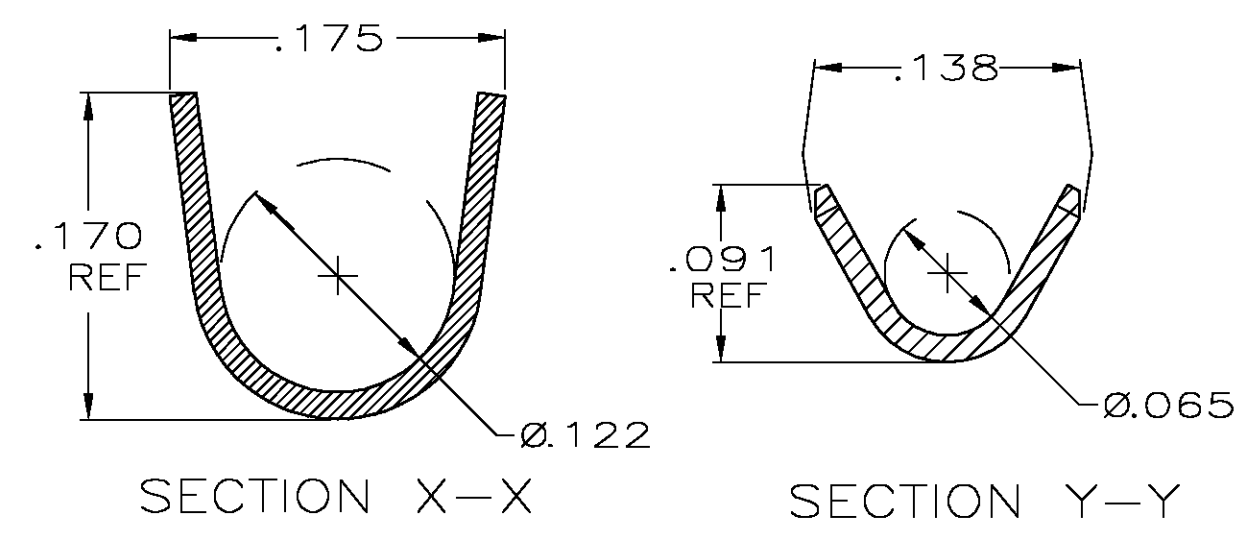
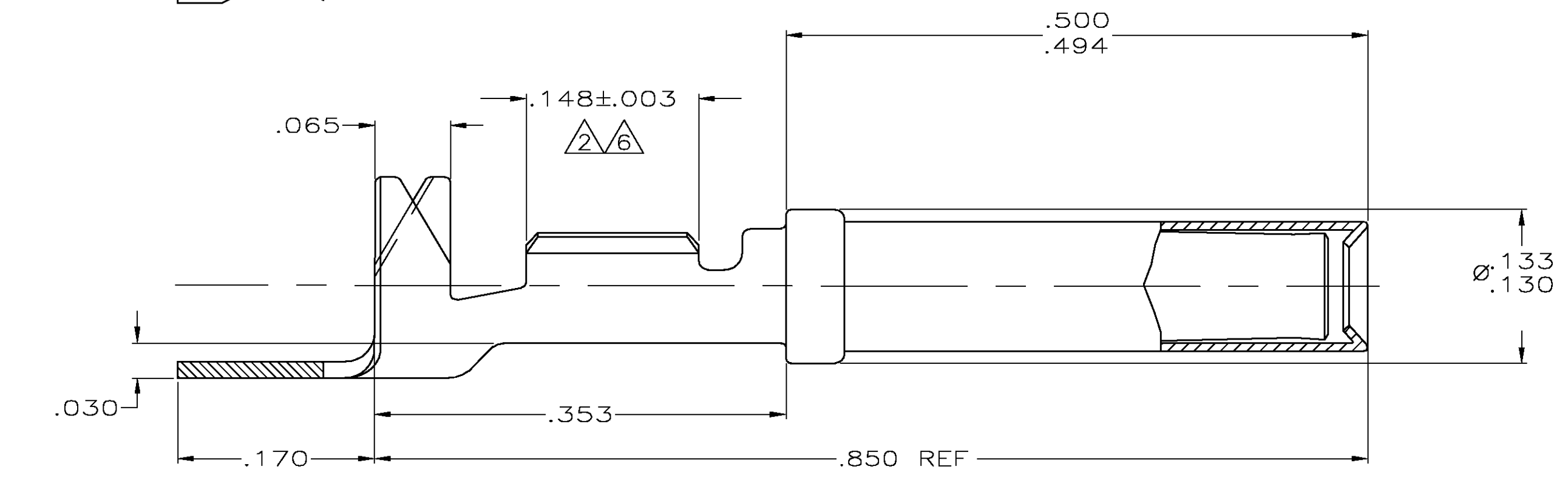


THIS DRAWING IS UNPUBLISHED. RELEASED FOR PUBLICATION  
 © COPYRIGHT BY TYCO ELECTRONICS CORPORATION. ALL RIGHTS RESERVED.

| LOC | DIST | REVISIONS |     |                         |           |     |      |
|-----|------|-----------|-----|-------------------------|-----------|-----|------|
| GE  | 00   | P         | LTR | DESCRIPTION             | DATE      | DWN | APVD |
|     |      | 0         |     | REV PER EC OK40-0124-04 | 03JUN2004 | AH  | MPT  |



- 1 MATERIAL:  
BODY: .014 THK. COPPER ALLOY.  
SLEEVE: .007 THK. STAINLESS STEEL.
- 2 FINISH:  
BODY: .000030 MIN SELECT GOLD IN LOCALIZED GOLD PLATE AREA, AND .000100-.000200 TIN IN LOCALIZED TIN PLATE AREA.  
ALL OVER: .000040-.000080 THK. NICKEL.  
SLEEVE: PASSIVATE PER 112-230-2, METHOD 1.
- 3. CONTACT TO BE LUBED WITH LUBRICANT PER AMP P/N 22014-4.
- 4. WIRE RANGE: 20-18 AWG WITH INSULATION DIAMETERS OF .089 - .131 INCHES.
- 5. SLEEVE MUST WITHSTAND PULL OFF FORCE IN DIRECTION PARALLEL TO CENTER OF TERMINAL OF 10 LBS MINIMUM.
- 6 MATERIAL:  
BODY: .000100 - .000200 TIN IN LOCALIZED TIN PLATE AREA.  
ALL OVER: .000040 - .000080 THK NICKEL.  
SLEEVE: PASSIVATE PER 112-230-2, METHOD 1.



|  |                  |                           |                              |                 |
|--|------------------|---------------------------|------------------------------|-----------------|
| THIS DRAWING IS A CONTROLLED DOCUMENT. |                  | DWN DL DRUMMOND 07MAY2004 | Tyco Electronics Corporation |                 |
| DIMENSIONS: INCHES                     |                  | CHK MP TRULL 07MAY2004    | Harrisburg, PA 17105-3608    |                 |
| TOLERANCES UNLESS OTHERWISE SPECIFIED: |                  | APVD MP TRULL 07MAY2004   | ASSEMBLY, SOCKET             |                 |
| 0 PLC ± -                              | 1 PLC ± -        | PRODUCT SPEC              | SIZE A2                      | CAGE CODE 00779 |
| 2 PLC ± .02                            | 3 PLC ± .005     | APPLICATION SPEC          | DRAWING NO C=776493          | RESTRICTED TO - |
| 4 PLC ± -                              | ANGLES ± -       | WEIGHT -                  | SCALE 10:1                   | SHEET 1 OF 1    |
| MATERIAL 1                             | FINISH SEE TABLE | CUSTOMER DRAWING          | REV 0                        |                 |

## X-ON Electronics

Largest Supplier of Electrical and Electronic Components

*Click to view similar products for [Automotive Connectors](#) category:*

*Click to view products by [TE Connectivity](#) manufacturer:*

Other Similar products are found below :

[003-018-000](#) [60403001](#) [60993906-B](#) [M902-2131](#) [M902-2161](#) [72.330.1035.1](#) [73.353.4028.0](#) [F119300-B](#) [F166900](#) [F258300-B](#) [F358300-B](#)  
[F407400](#) [F444110](#) [F487000](#) [F509500B-B](#) [827153-1](#) [8N1515-32-24P](#) [9-1326729-8](#) [925474-1](#) [928905-1](#) [964562-4](#) [968782-1](#) [GT17SA-8DS-](#)  
[HU](#) [98891-1012](#) [98947-1016](#) [12004147](#) [12004475-L](#) [12010290](#) [12010309-B](#) [12015454](#) [12020219-B](#) [12020308](#) [12041318-B](#) [12052225-L](#)  
[12052466](#) [12059125](#) [12064869](#) [12004327-B](#) [12010503-B](#) [12015308](#) [12015384](#) [12015909](#) [1-21030-1](#) [12041254](#) [12041318](#) [12047946-B](#)  
[12047957](#) [12047957-L](#) [12059473](#) [12066261](#)