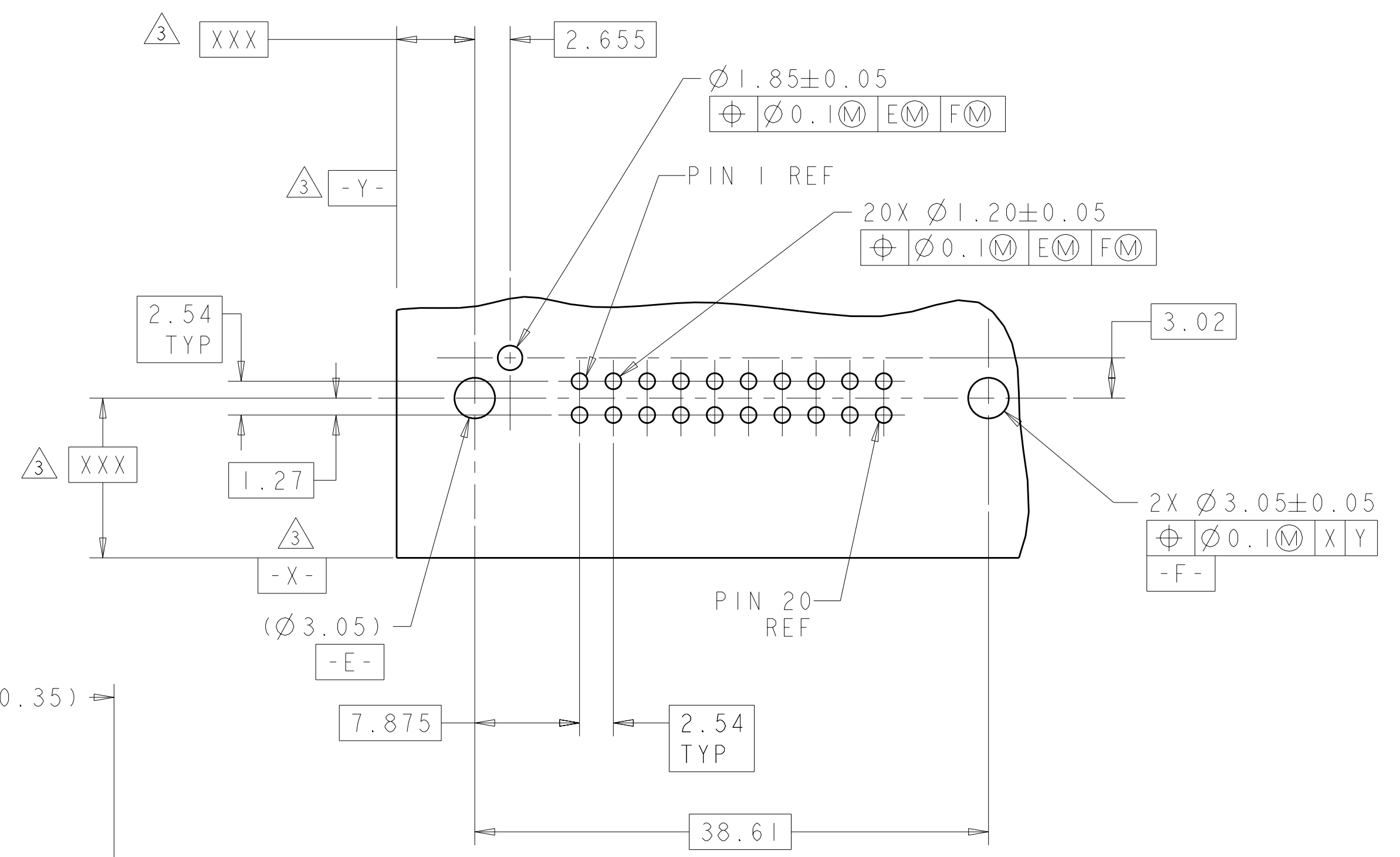
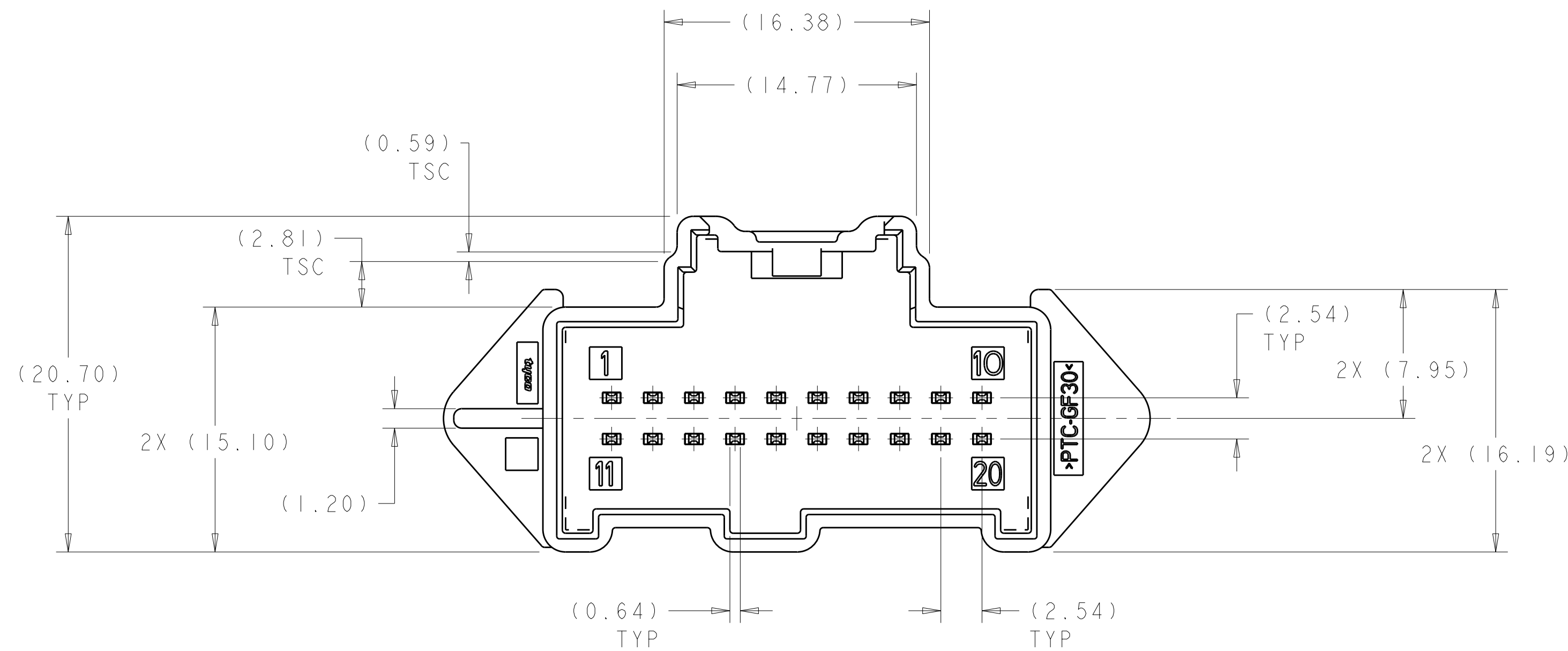
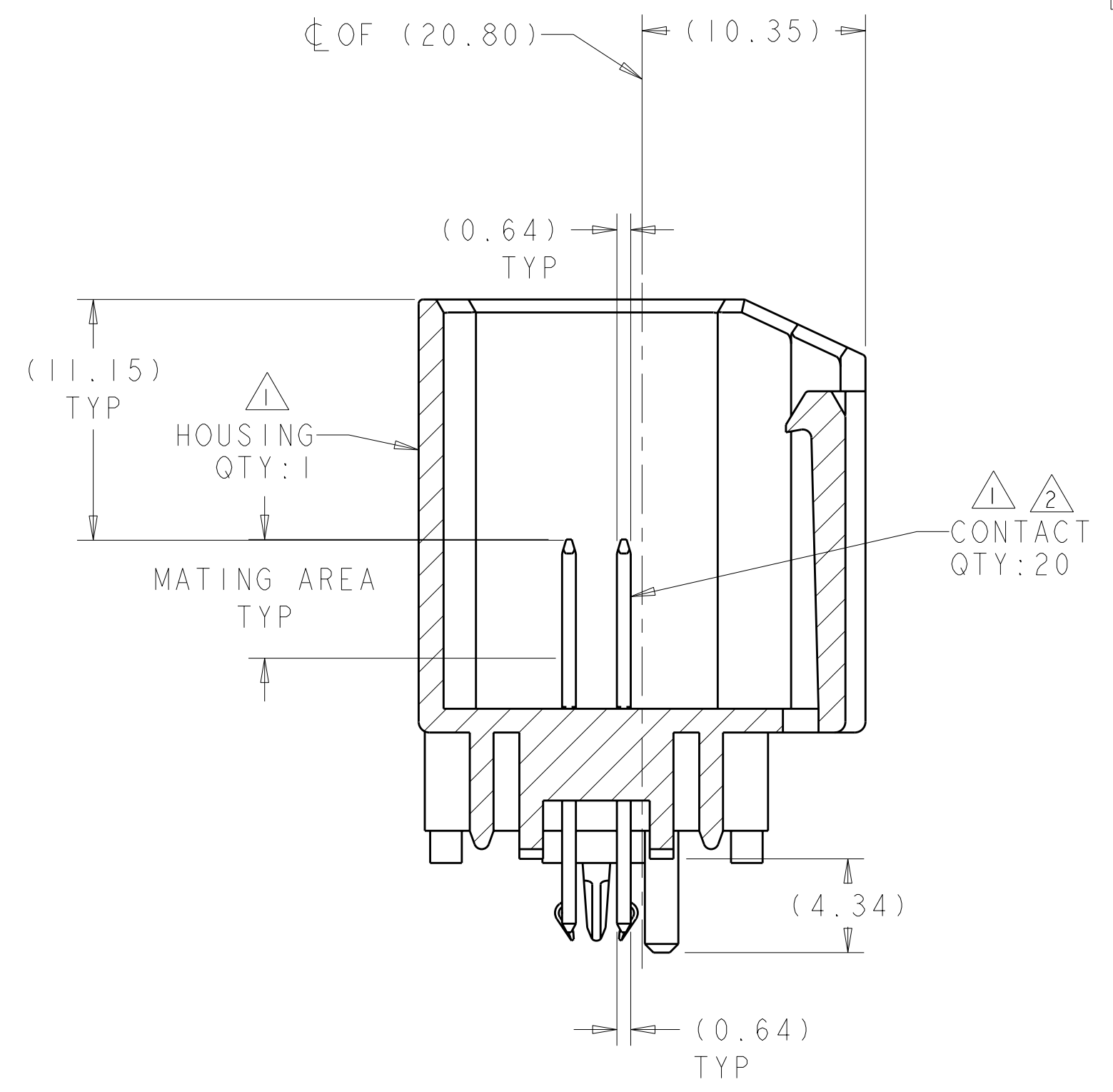
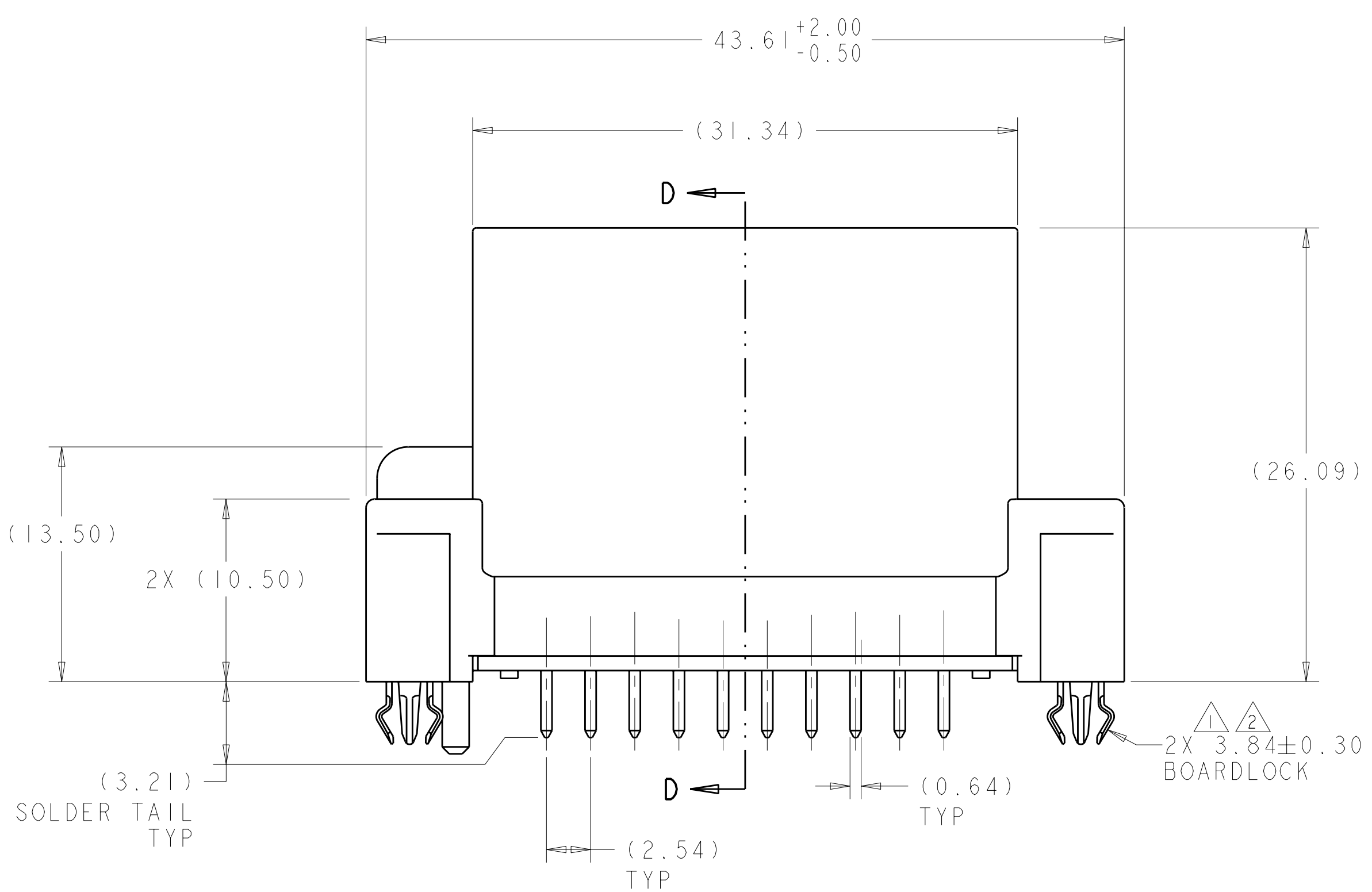


LOC	DIST	REV	DATE	BY	APPD
IN	00				
REVISIONS					
REV	DATE	BY	APPD	DESCRIPTION	
A	26APR2006	HM	DF	REL PER ECO-06-010769	
A1	03OCT2006	HM	DF	REVISED PER ECO-06-023267	
A2	19OCT2009	DLD	CJS	REVISED PER ECO-09-023496	

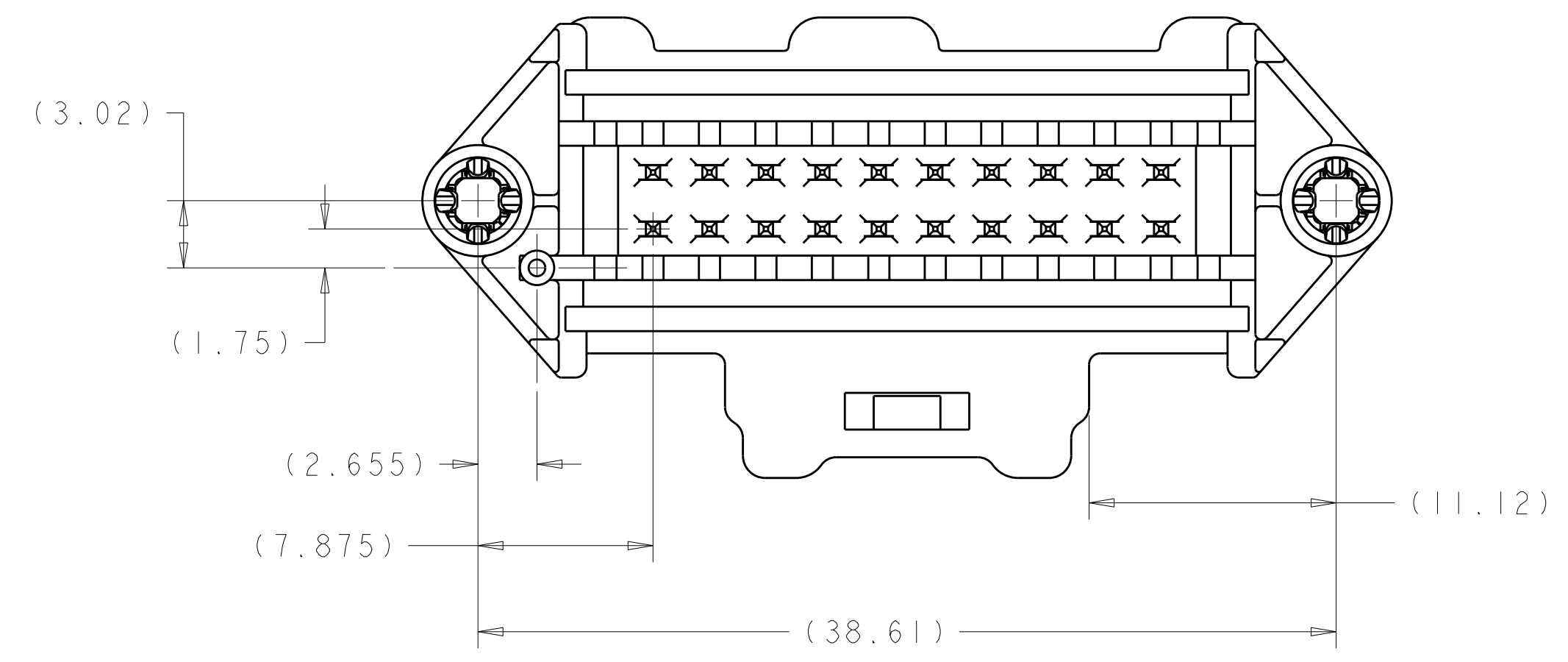


RECOMMENDED
 PC BOARD LAYOUT
 1.57 THK PC BOARD
 SCALE 3:1



SECTION D-D

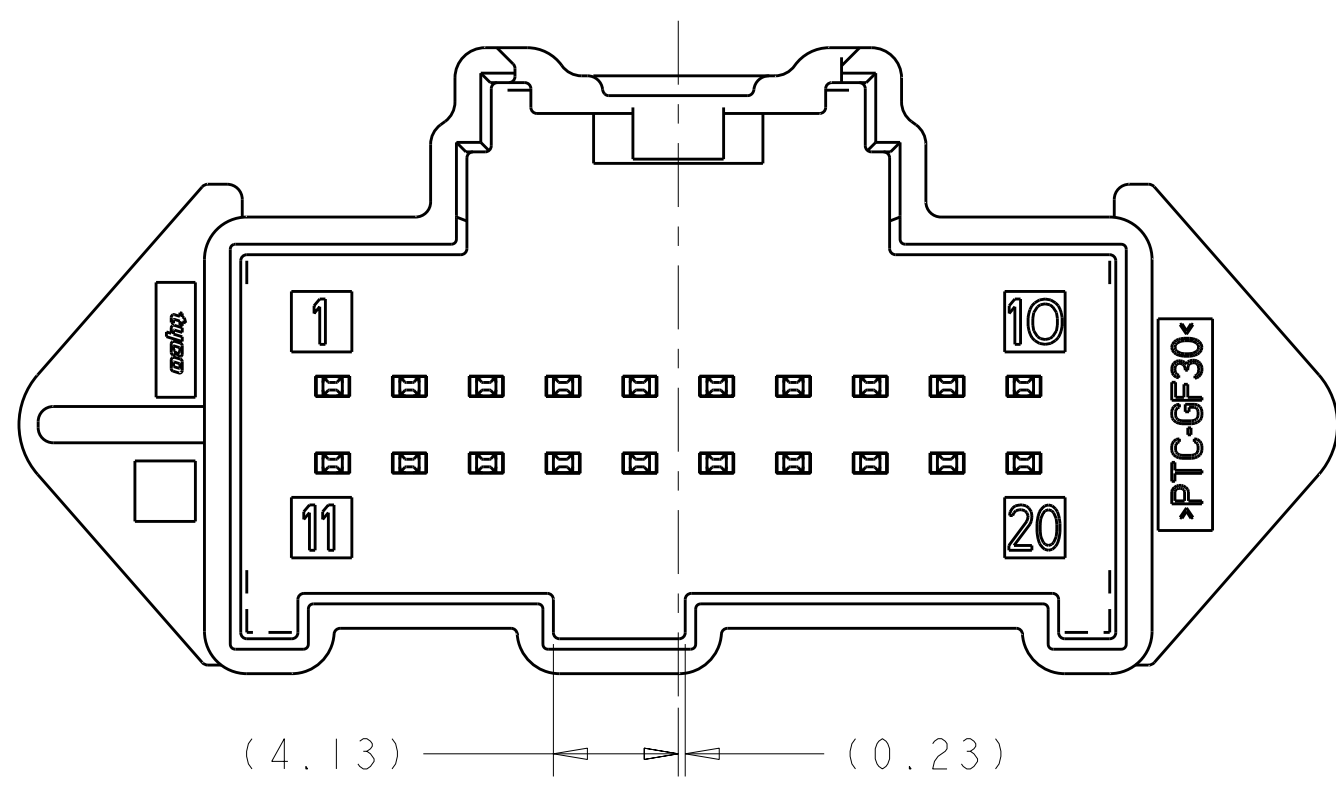
- △ HOUSING: PCT, COLOR - BLACK
 CONTACTS & BOARDLOCKS: COPPER ALLOY
- △ CONTACT: 1.5μm MIN TIN IN MATING AREA AND 2.5μm MIN TIN
 IN SOLDER TAIL ALL OVER 2.00μm MIN NICKEL
 BOARDLOCKS: 3.8μm MIN TIN OVER 1.27μm MIN NICKEL
- △ DATUMS AND BASIC DIMENSIONS ESTABLISHED BY THE CUSTOMER
- △ PRELIMINARY - NOT RELEASED FOR PRODUCTION



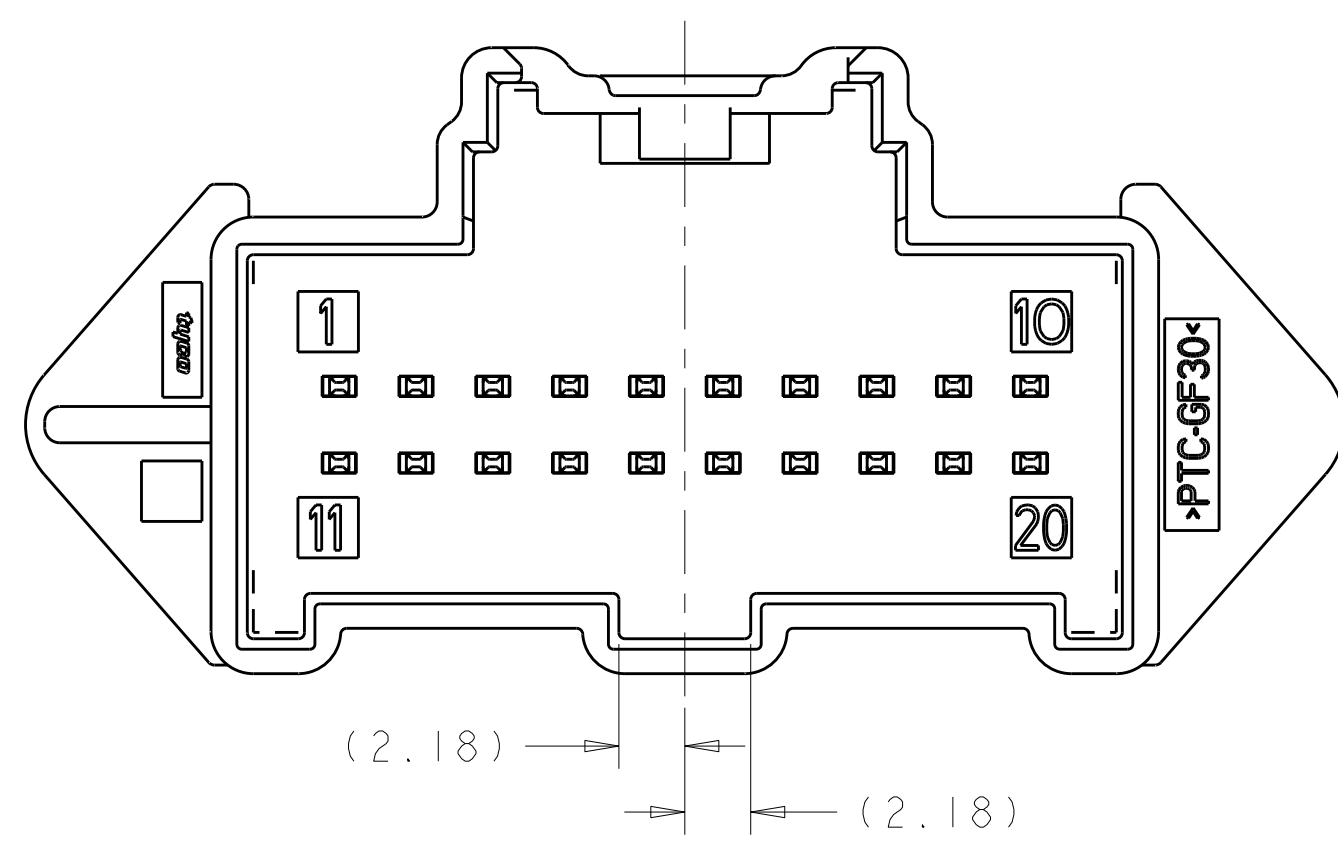
KEYING CODE	PART NUMBER
KEYING CODE "F"	776669-6 △
KEYING CODE "E"	776669-5 △
KEYING CODE "D"	776669-4 △
KEYING CODE "C"	776669-3 △
KEYING CODE "B"	776669-2 △
KEYING CODE "A"	776669-1

DIMENSIONS: mm 		TOLERANCES UNLESS OTHERWISE SPECIFIED: 9 PLC ± 1 PLC ±0.10 5 PLC ± 4 PLC ± ANGLES ± FINISH SEE CALL OUT		DWN H. MOLL 04APR2005 CHK D. FRY 04APR2005 APVD D. FRY 04APR2005		Tyco Electronics Harrisburg, PA 17105-3608	
MATERIAL: △		PRODUCT SPEC: - APPLICATION SPEC: - WEIGHT: - CUSTOMER DRAWING		NAME: HEADER ASSEMBLY, 2x10, UNSEALED, VERTICAL, WITH BOARDLOCKS, USCAR		SIZE: A1100779 CAGE CODE: C=776669 SCALE: 3:1 SHEET 1 OF 2 REV A2	

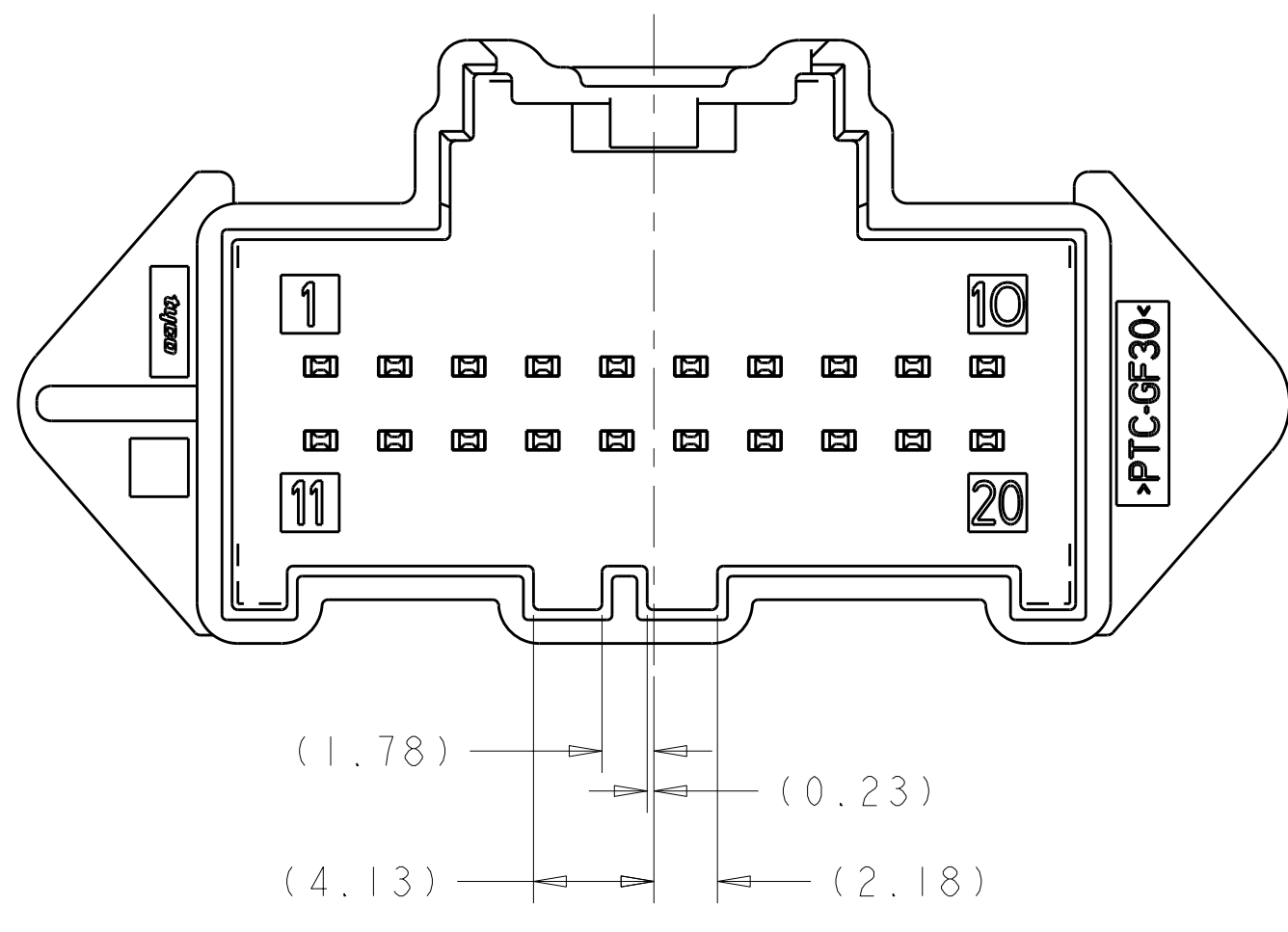
LOC	DIST	REVISIONS					
NO.		P.	LTR	DESCRIPTION	DATE	DWN	APVD
1	N			SEE SHEET 1			



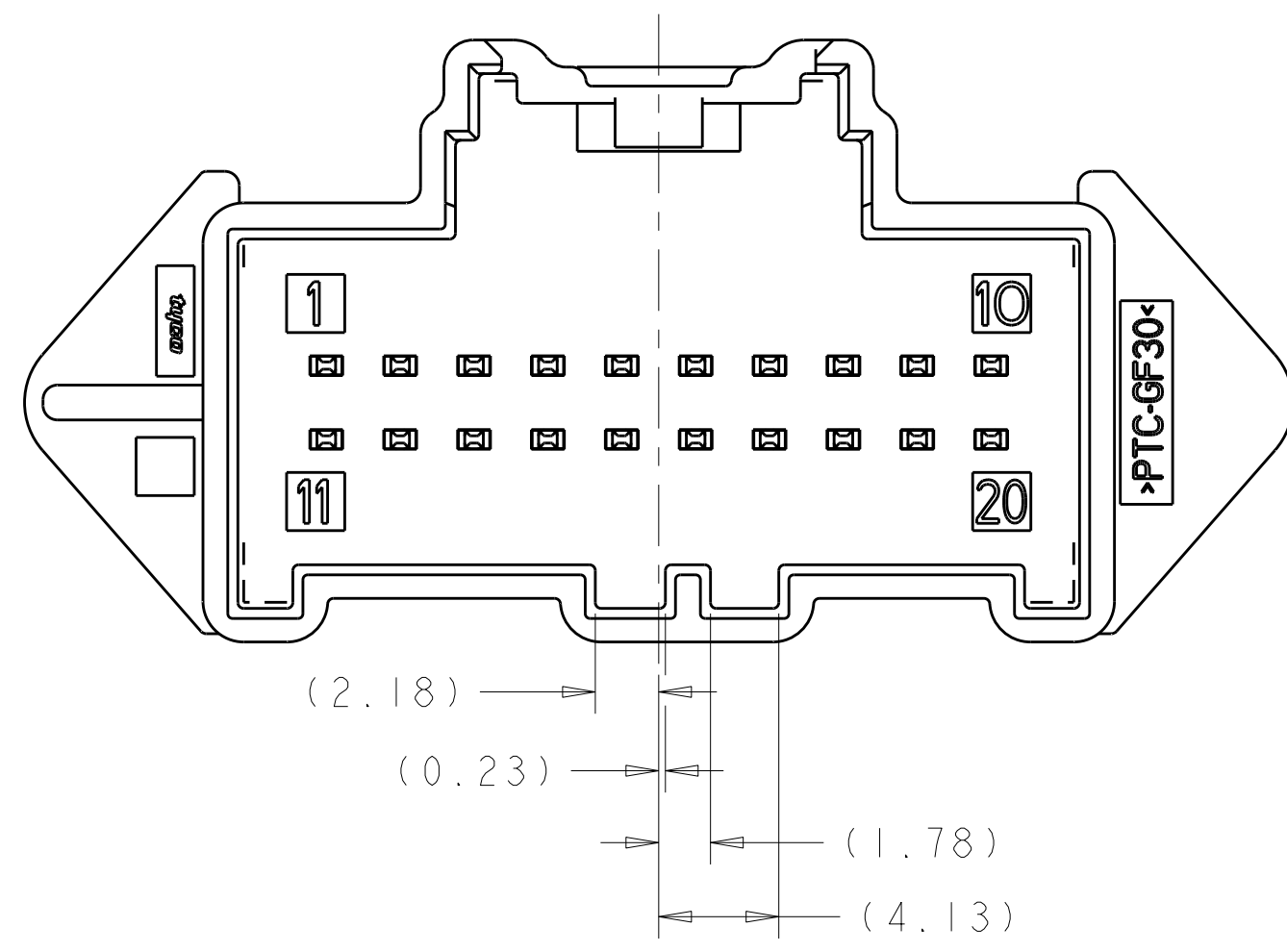
KEYING CODE "A"
SCALE 4:1



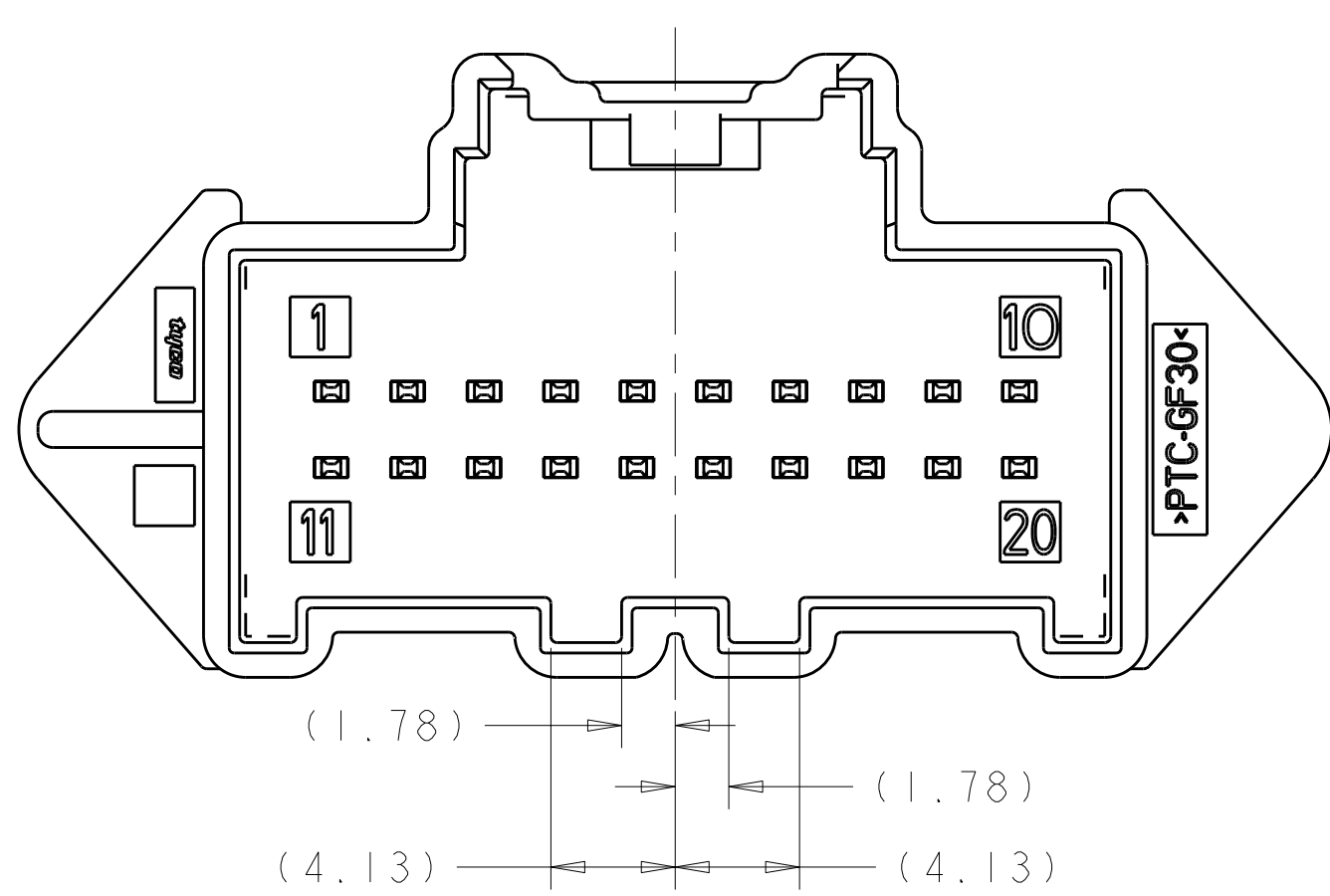
KEYING CODE "B"
SCALE 4:1



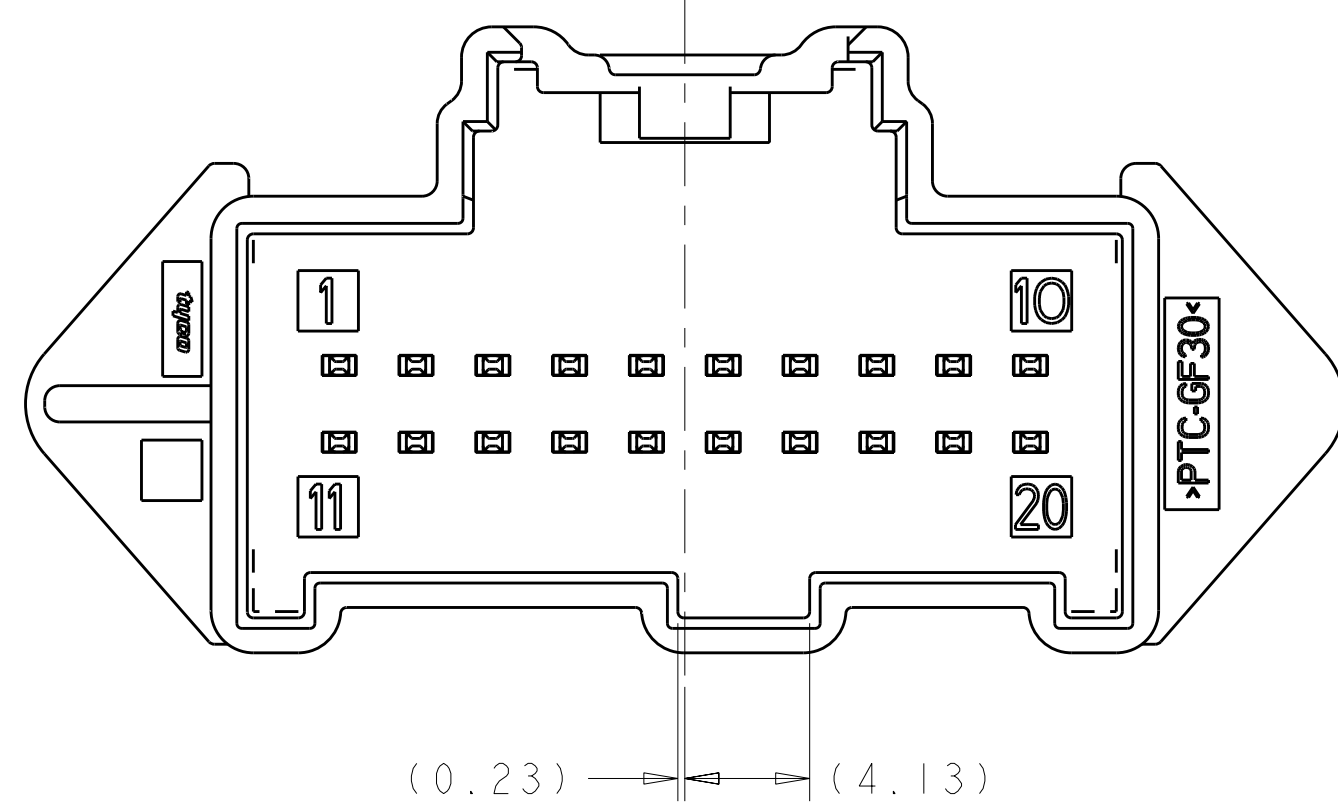
KEYING CODE "C"
SCALE 4:1



KEYING CODE "D"
SCALE 4:1



KEYING CODE "E"
SCALE 4:1



KEYING CODE "F"
SCALE 4:1

<small>THE INFORMATION IS CONTROLLED DOCUMENT FROM TYCO ELECTRONICS CORPORATION IT IS SUBJECT TO CHANGE WITHOUT NOTICE AND WITHOUT OBLIGATION SHOULD BE CONTACTED FOR THE LATEST REVISION.</small>		DWN: H. MOLL 04APR2005 CHK: D. FRY 04APR2005 APVD: D. FRY 04APR2005	Tyco Electronics Harrisburg, PA 17105-3608
DIMENSIONS: mm		TOLERANCES UNLESS OTHERWISE SPECIFIED: 9 PLC ± 1 PLC ±0.10 5 PLC ± 4 PLC ± ANGLES ± FINISH SEE CALL OUT	NAME: HEADER ASSEMBLY, UNSEALED, VERTICAL, WITH BOARDLOCKS, USCAR SIZE: A1100779 CAGE CODE: C-776669 DRAWING NO: A1100779C-776669 RESTRICTED TO:
MATERIAL:		WEIGHT:	CUSTOMER DRAWING:
AMP 4805 REV 31MAR2000		SCALE: 3:1	SHEET: 2 OF 2 REV: A2

X-ON Electronics

Largest Supplier of Electrical and Electronic Components

Click to view similar products for [Automotive Connectors](#) category:

Click to view products by [TE Connectivity](#) manufacturer:

Other Similar products are found below :

[003-018-000](#) [60403001](#) [60993906-B](#) [M902-2131](#) [M902-2161](#) [72.330.1035.1](#) [73.353.4028.0](#) [F119300-B](#) [F166900](#) [F258300-B](#) [F358300-B](#)
[F407400](#) [F444110](#) [F487000](#) [F509500B-B](#) [827153-1](#) [8N1515-32-24P](#) [9-1326729-8](#) [925474-1](#) [928905-1](#) [964562-4](#) [968782-1](#) [GT17SA-8DS-](#)
[HU](#) [98891-1012](#) [98947-1016](#) [12004147](#) [12004475-L](#) [12010290](#) [12010309-B](#) [12015454](#) [12020219-B](#) [12020308](#) [12041318-B](#) [12052225-L](#)
[12052466](#) [12059125](#) [12064869](#) [12004327-B](#) [12010503-B](#) [12015308](#) [12015384](#) [12015909](#) [1-21030-1](#) [12041254](#) [12041318](#) [12047946-B](#)
[12047957](#) [12047957-L](#) [12059473](#) [12066261](#)