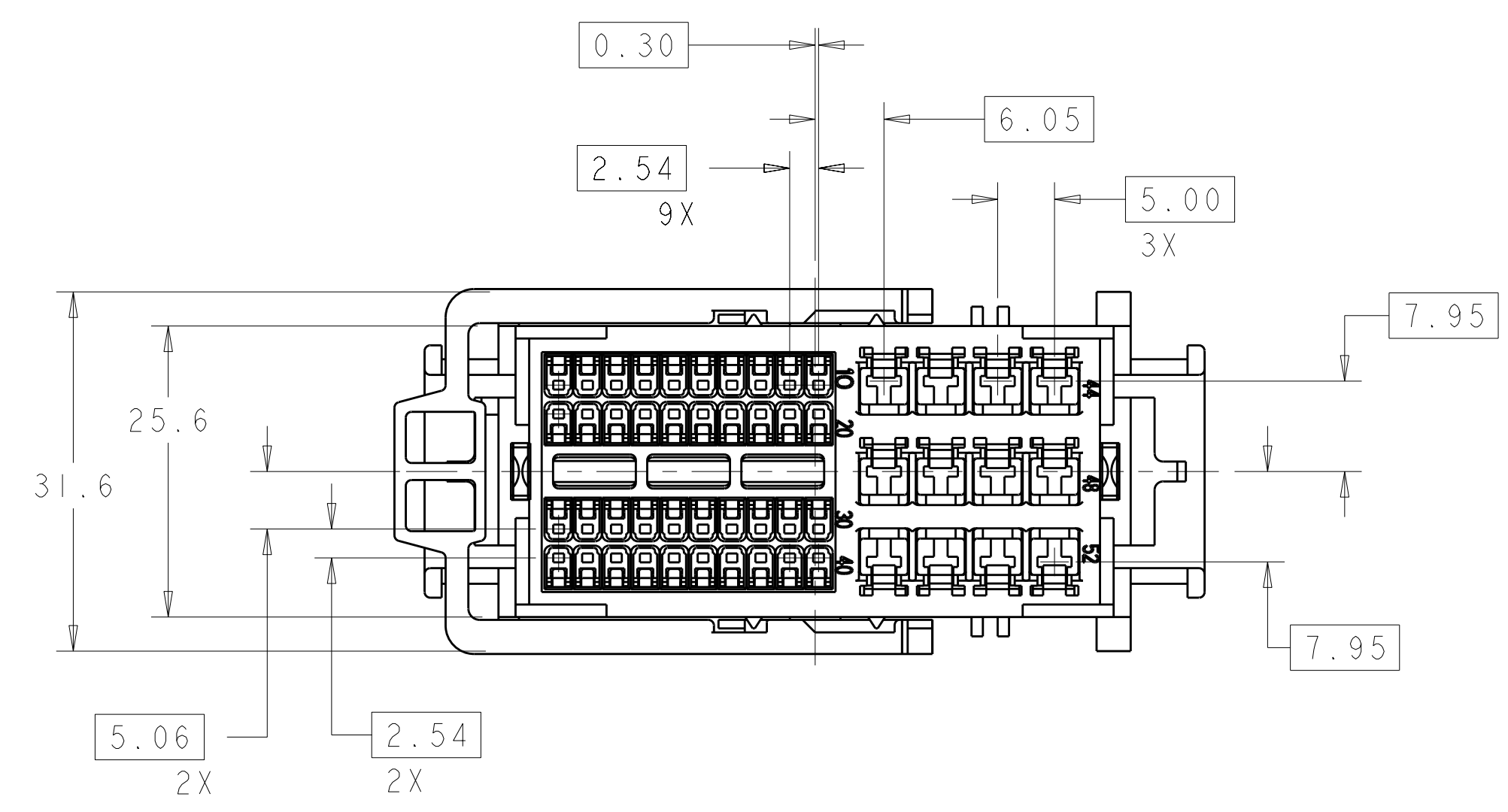
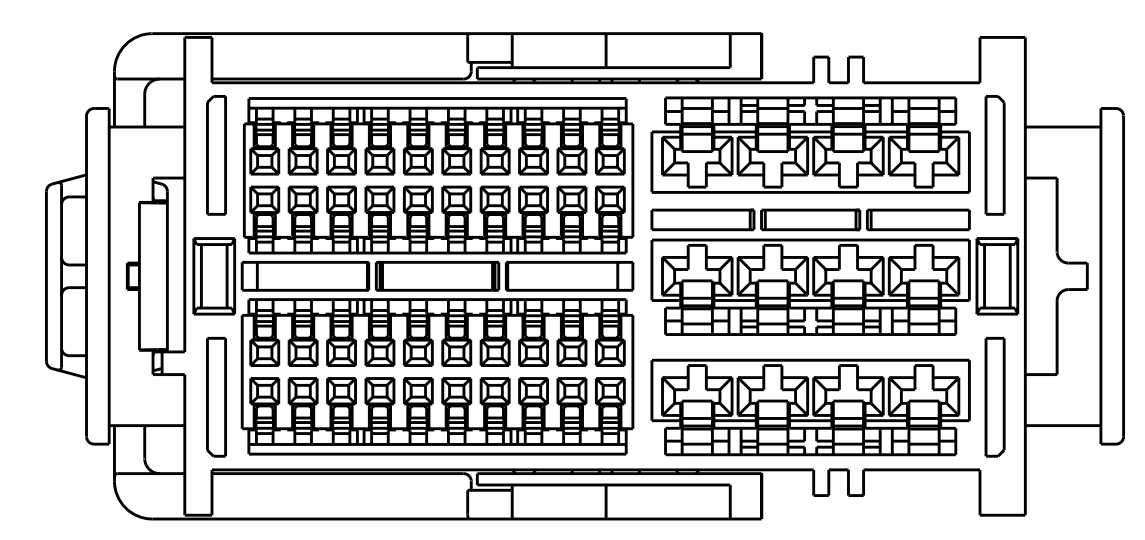
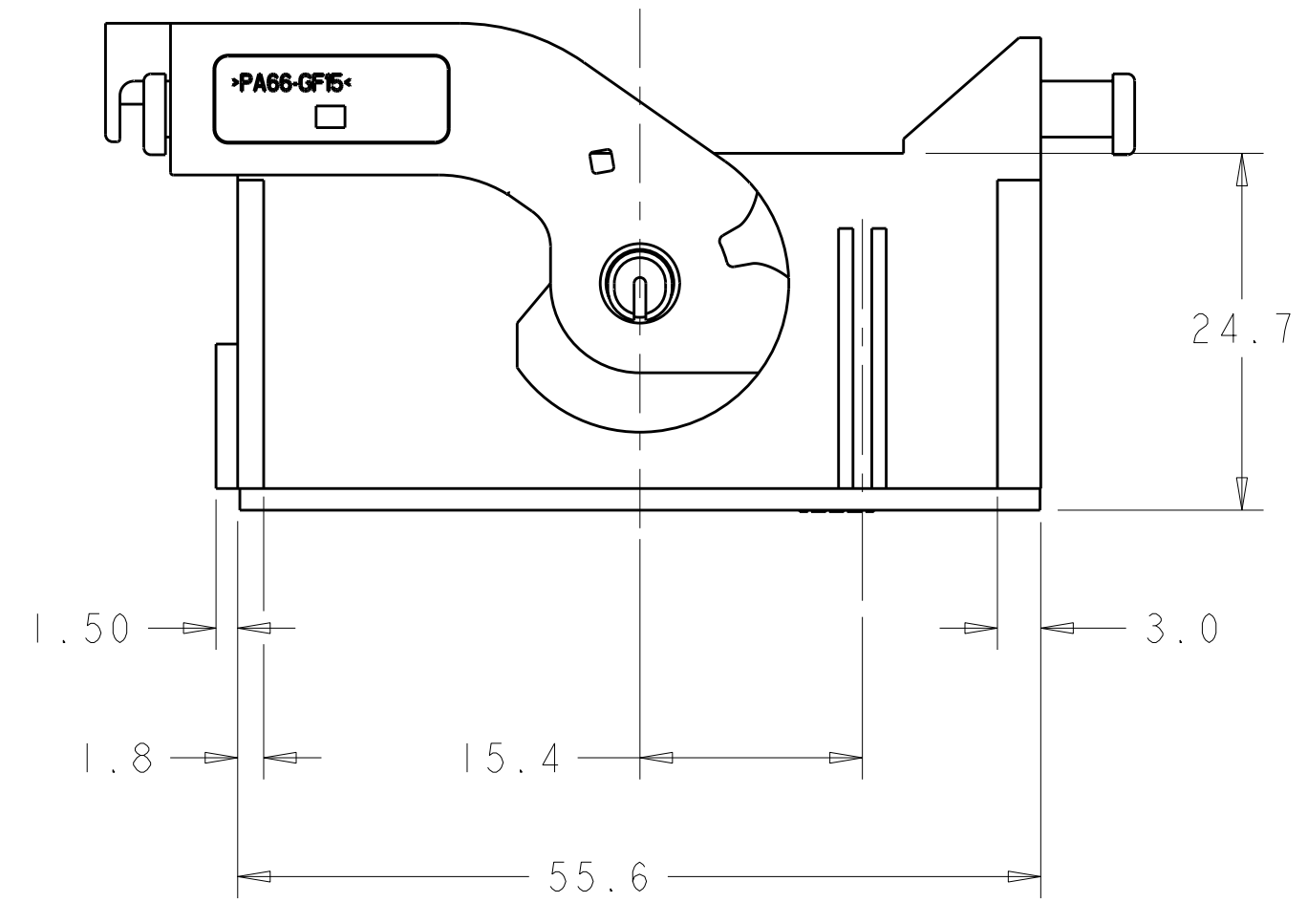
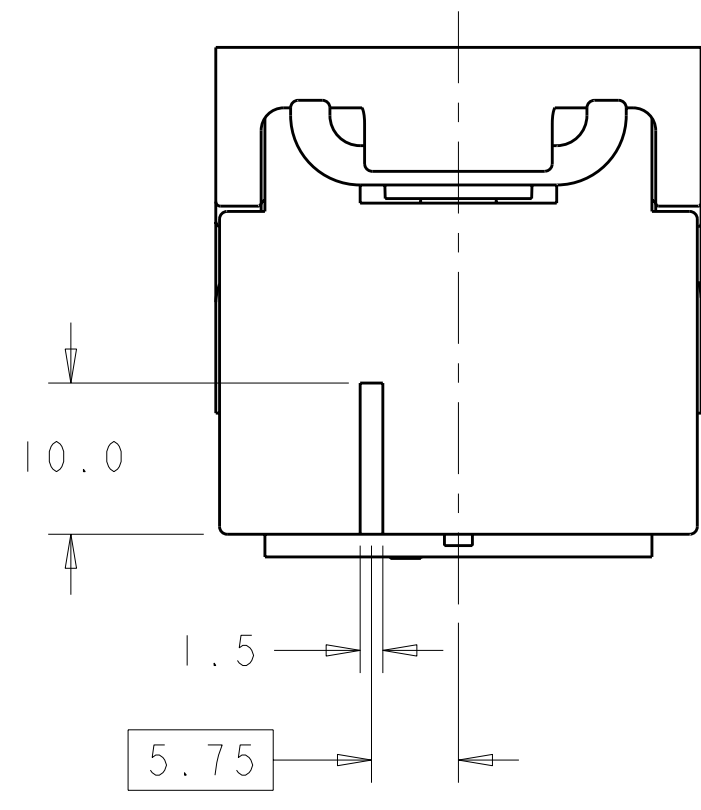


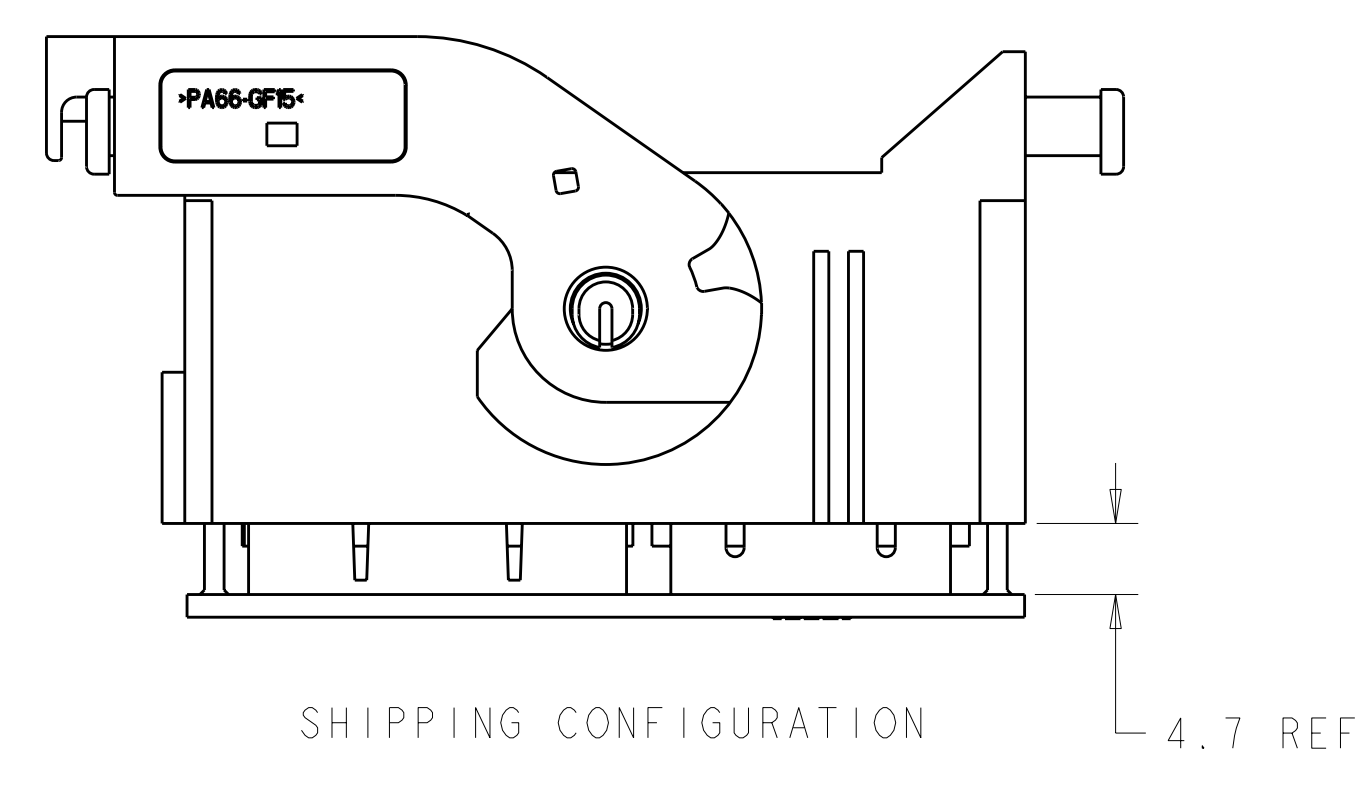
| LOC | DIST | REVISIONS | | | |
|-----|------|-----------|--------------------------|-----------|---------|
| FX | 00 | REV | DATE | BY | APPV |
| | | C | REVISD PER ECR 06-011954 | 17MAY2006 | DLD AME |
| | | C1 | REVISD PER ECO-10-016879 | 16AUG2010 | DLD CJS |



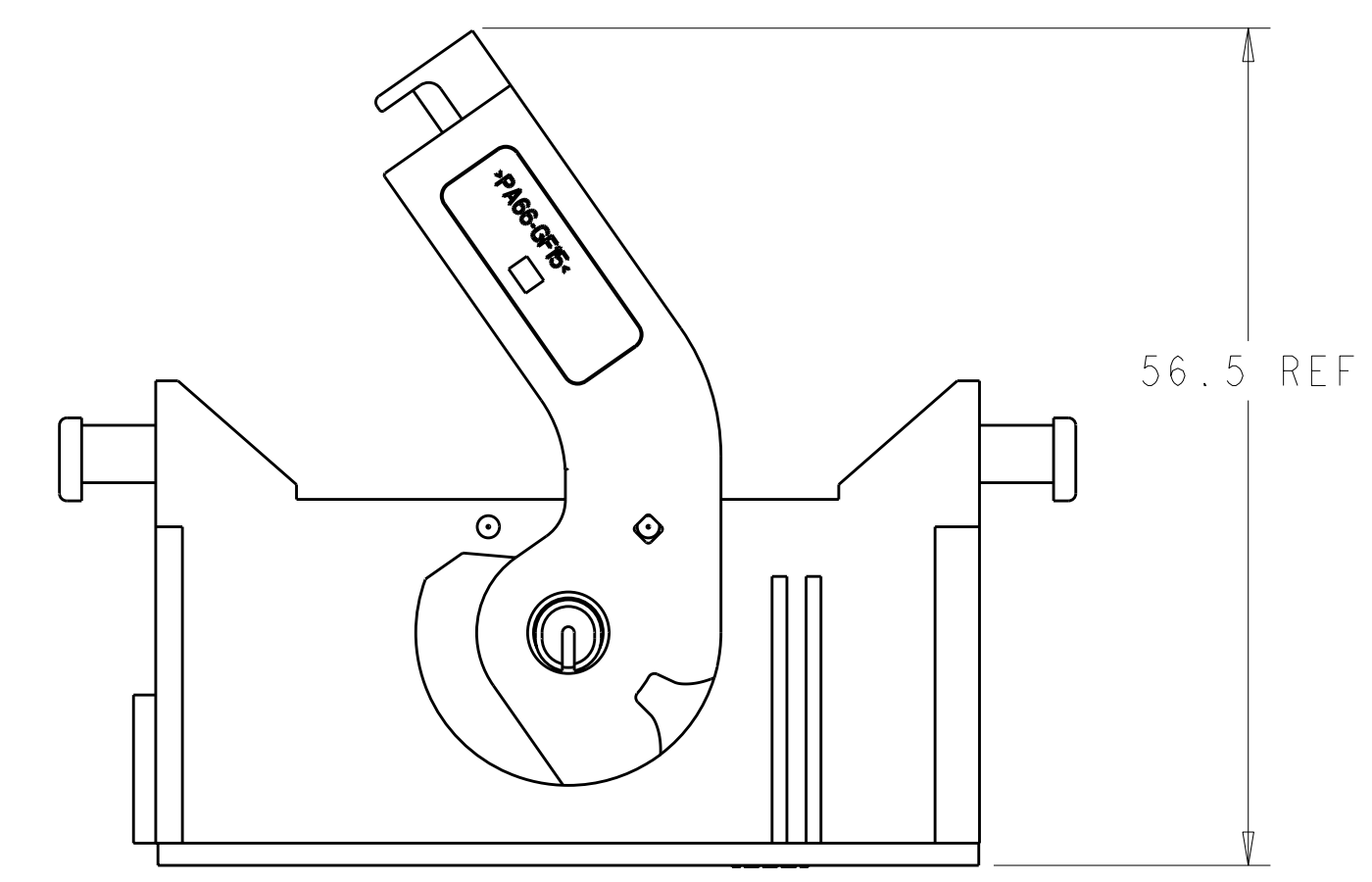
△ MATERIAL:
 PLUG HOUSING - NYLON, 35% GLASS FILLED, BLACK.
 LEVER - NYLON, 15% GLASS FILLED, BLACK.
 TPA - PBT, 15% GLASS FILLED, RED.



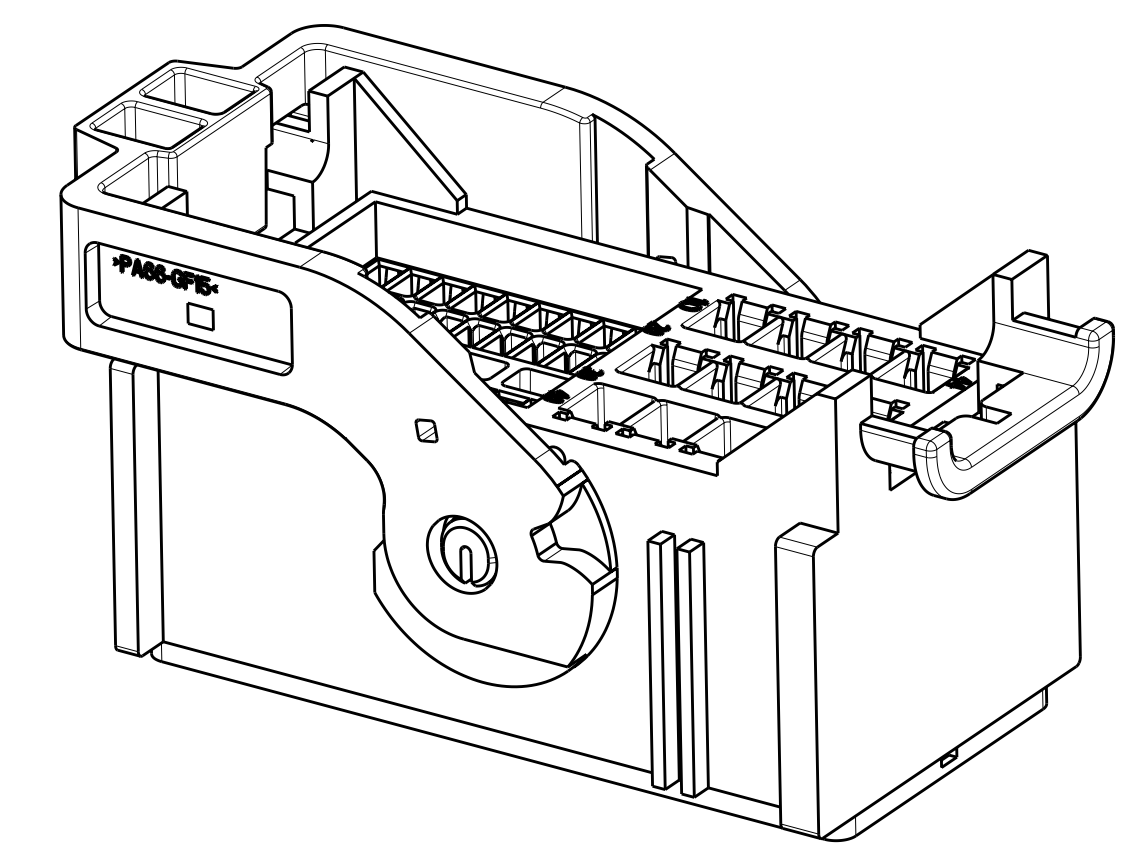
TPA REMOVED FOR CLARITY



SHIPPING CONFIGURATION



INSTALLATION CONFIGURATION

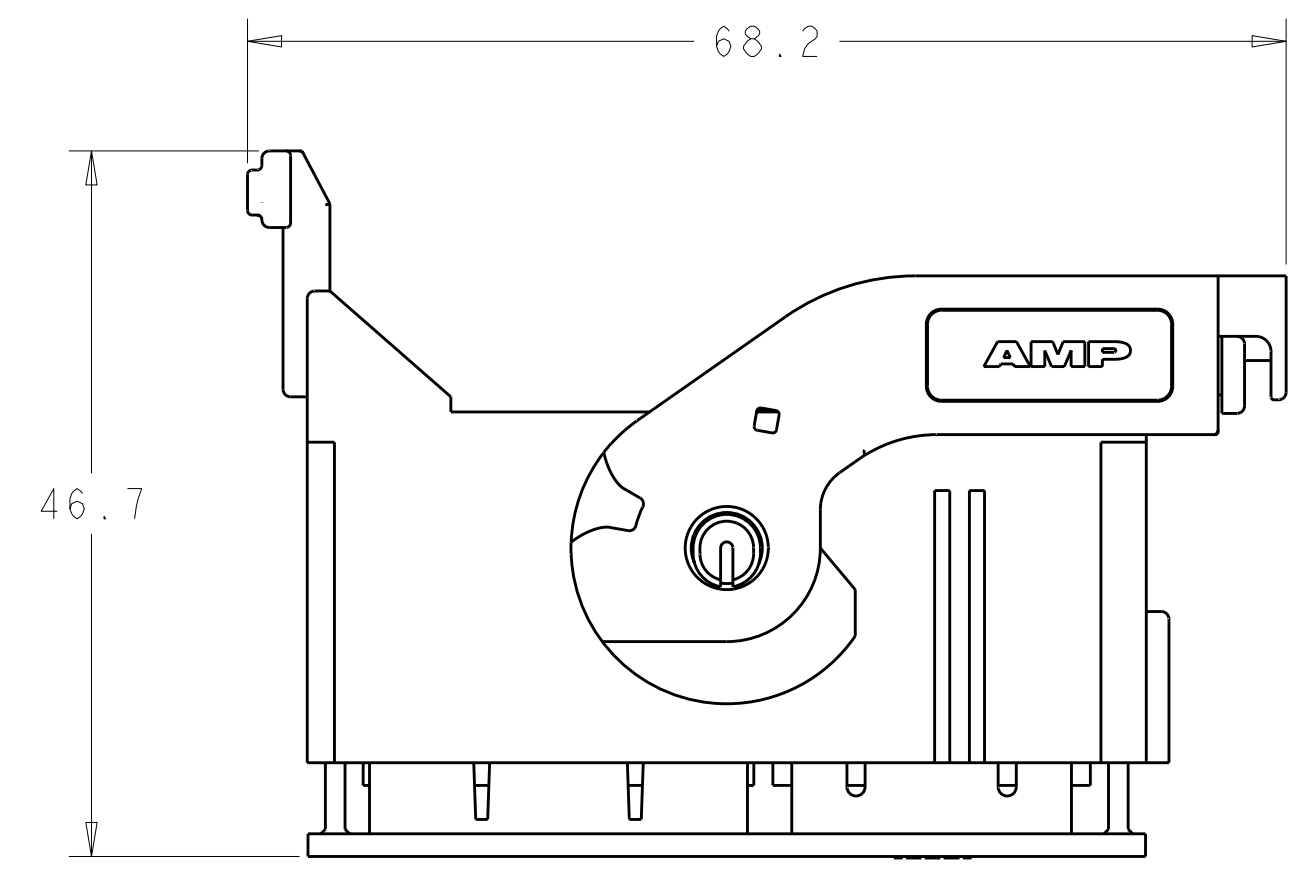


776932-1

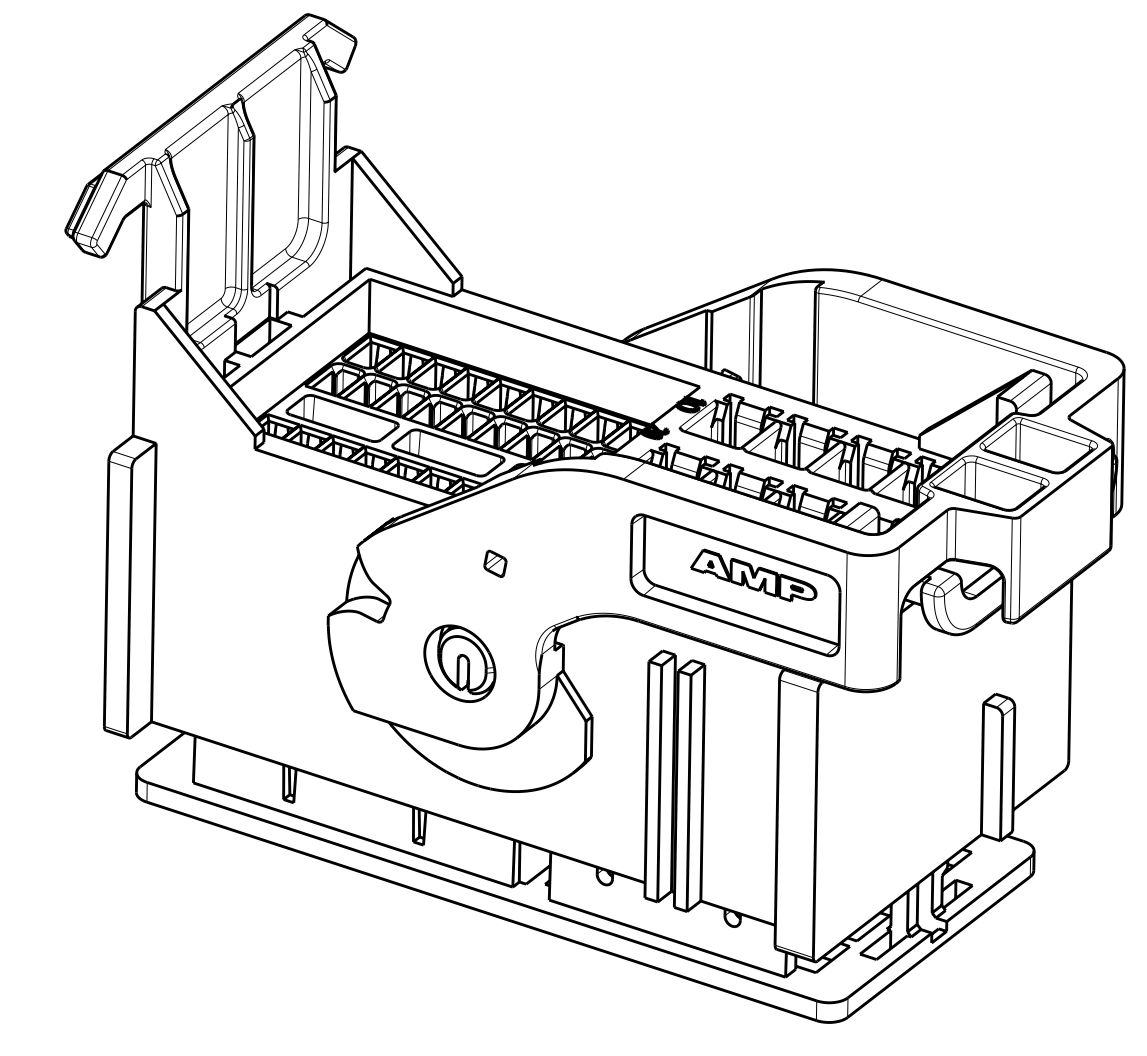
| |
|-------------|
| 776932-4 |
| 776932-3 |
| 776932-1 |
| PART NUMBER |

| | | | |
|-------------------------------------------------------------------------------------------------------------------------------------------------------------------------------------------------------------------|----------------------------------------------------------------|-------------------------------------------------------------------------------------------------------------------------------------------------|-----------------------------------------------|
| <small>THIS DRAWING IS UNPUBLISHED. RELEASED FOR PUBLICATION BY TYCO ELECTRONICS CORPORATION. IT IS SUBJECT TO CHANGE WITHOUT NOTICE AND WITHOUT OBLIGATION. SHOULD BE CONTACTED FOR THE LATEST REVISION.</small> | | DWN: R. VESTAL 23NOV05 CHK: A. EBRAHEEM 23NOV05 APVD: A. EBRAHEEM 23NOV05 | Tyco Electronics Harrisburg, PA 17105-3608 |
| DIMENSIONS: mm TOLERANCES UNLESS OTHERWISE SPECIFIED: 9 PLC ± 1 PLC ±0.2 3 PLC ±0.10 5 PLC ± 4 PLC ± ANGLES ± FINISH | PRODUCT SPEC APPLICATION SPEC WEIGHT CUSTOMER DRAWING | NAME: PLUG ASSEMBLY, 52 POSITION, 2.8mm AND 0.64mm, TERMINAL SIZE: A1100779 CAGE CODE: C=776932 DRAWING NO: 776932-1 RESTRICTED TO: | Tyco Electronics Harrisburg, PA 17105-3608 |
| MATERIAL: △ FINISH: | | SCALE: 1:1 SHEET: 1 OF 2 REV: C1 | |

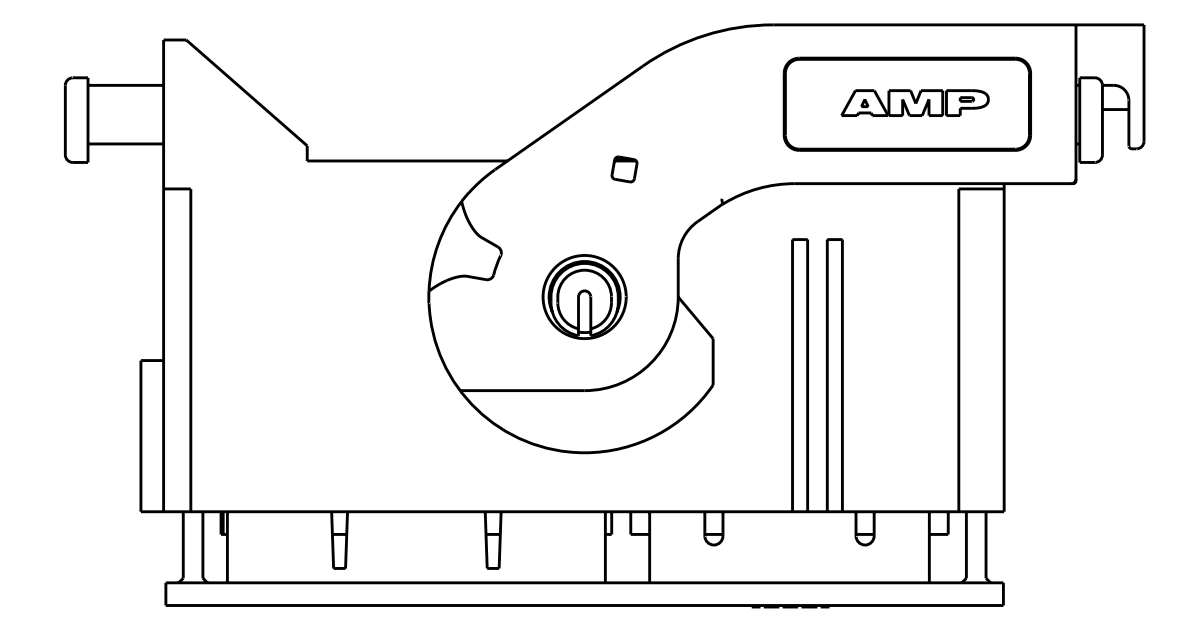
| LOC | DIST | REVISIONS | | | | | |
|-----|------|-----------|-----|-------------|------|-----|------|
| | | P | LTB | DESCRIPTION | DATE | DWN | APVD |
| FX | 00 | - | - | SEE SHEET 1 | - | - | - |
| | | | | | | | |
| | | | | | | | |



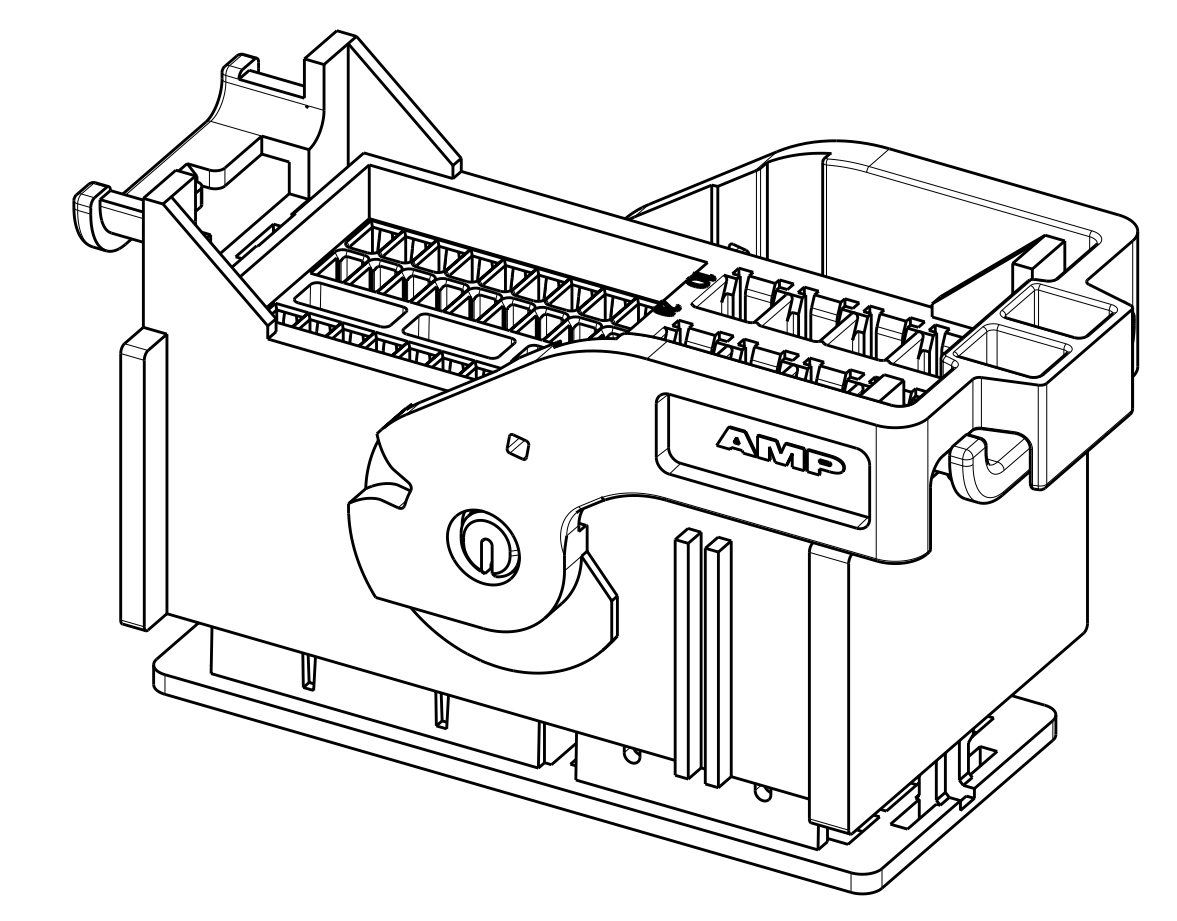
SHIPPING CONFIGURATION



776932-3



SHIPPING CONFIGURATION



776932-4

| | | | |
|--------------------------------------------------------------------------------------------------------------------------------------------------------------------------------------|----------------------------------------------------------------------------------------------------------------------------|-------------------------------------------------------------------------------------------------------------------------------|---------------------------------------------------------------------------------------------|
| <small>THIS DRAWING IS UNPUBLISHED. RELEASED FOR PUBLICATION 20. IT IS SUBJECT TO CHANGE WITHOUT NOTICE AND WITHOUT OBLIGATION. SHOULD BE CONTACTED FOR THE LATEST REVISION.</small> | | DWN R. VESTAL 23NOV05 CHK A. EBRAHEEM 23NOV05 APVD A. EBRAHEEM 23NOV05 | Tyco Electronics Harrisburg, PA 17105-3608 |
| DIMENSIONS: mm | TOLERANCES UNLESS OTHERWISE SPECIFIED: 9 PLC ± 1 PLC ±0.2 2 PLC ±0.10 3 PLC ± 4 PLC ± ANGLES ± FINISH | NAME PLUG ASSEMBLY, 52 POSITION, 2.8mm AND 0.64mm, TERMINAL PRODUCT SPEC APPLICATION SPEC WEIGHT CUSTOMER DRAWING | SIZE CAGE CODE DRAWING NO RESTRICTED TO A100779C-776932 SCALE 2:1 SHEET 2 OF 2 REV C1 |

X-ON Electronics

Largest Supplier of Electrical and Electronic Components

Click to view similar products for [Automotive Connectors](#) category:

Click to view products by [TE Connectivity](#) manufacturer:

Other Similar products are found below :

[003-018-000](#) [60403001](#) [60993906-B](#) [M902-2131](#) [M902-2161](#) [72.330.1035.1](#) [73.353.4028.0](#) [F119300-B](#) [F166900](#) [F258300-B](#) [F358300-B](#)
[F407400](#) [F444110](#) [F487000](#) [F509500B-B](#) [827153-1](#) [8N1515-32-24P](#) [9-1326729-8](#) [925474-1](#) [928905-1](#) [964562-4](#) [968782-1](#) [GT17SA-8DS-](#)
[HU](#) [98891-1012](#) [98947-1016](#) [12004147](#) [12004475-L](#) [12010290](#) [12010309-B](#) [12015454](#) [12020219-B](#) [12020308](#) [12041318-B](#) [12052225-L](#)
[12052466](#) [12059125](#) [12064869](#) [12004327-B](#) [12010503-B](#) [12015308](#) [12015384](#) [12015909](#) [1-21030-1](#) [12041254](#) [12041318](#) [12047946-B](#)
[12047957](#) [12047957-L](#) [12059473](#) [12066261](#)