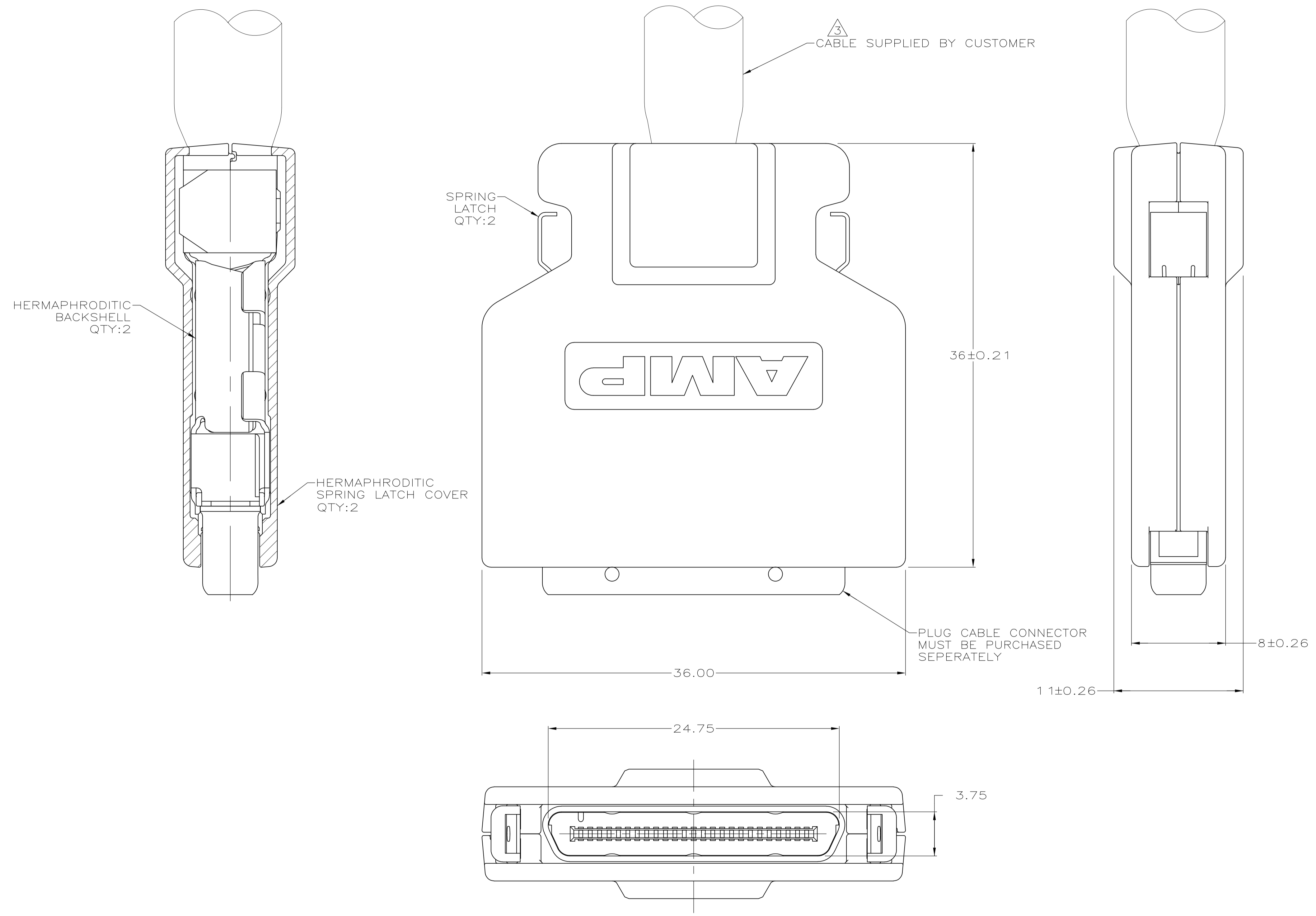


LOC		DIST		REVISIONS			
GP	00	REV	DATE	BY	APP'D	REV	DATE
E			28MAR2013	CJV	EDB		



- ⚠ MATERIAL:  
HERMAPHRODITIC BACKSHELL- STEEL.  
SPRING LATCH- STAINLESS STEEL.  
HERMAPHRODITIC SPRING LATCH COVER- UL 94V-0 RATED  
ABS MOLDING COMPOUND, COLOR-BLACK.
- ⚠ PLATING:  
HERMAPHRODITIC BACKSHELL- 5μm MIN BRIGHT NICKEL OVER  
2.5μm MIN COPPER.
- ⚠ RECOMMENDED WIRE: 30 AWG WITH A 0.56-0.64 INSULATION DIAMETER,  
WIRE MUST BE APPROVED BY AMP ENGINEERING.

INDIVIDUAL KIT	787133-2
BULK KIT	787133-1
PACKAGING TYPE	PART NUMBER

THIS DRAWING IS A CONTROLLED DOCUMENT. DIMENSIONING AND TOLERANCING PER ASME Y14.5M-2009

DIMENSIONS:	TOLERANCES UNLESS OTHERWISE SPECIFIED:	DESIGNED BY: T. SHUEY	DATE: 03/28/13
mm	0. PLC ± -	CHK: J. GERACE	
	1. PLC ± -	APP'D: M. WALMSLEY	
	2. PLC ± 0.13	NAME: M. WALMSLEY	
	3. PLC ± -	PRODUCT SPEC: 108-1471	
	4. PLC ± -	APPLICATION SPEC: -	
	ANGLES ± -	SIZE: A1	SCALE: 5:1
MATERIAL: 1	FINISH: 2	WEIGHT: -	DRAWING NO: 787133
CUSTOMER DRAWING		RESTRICTED TO: -	SHEET 1 OF 1

STE TE Connectivity

BACKSHELL KIT, 50 POSITION, SQUEEZE TO RELEASE, CABLE CONNECTOR, 0.8mm CHAMP

## X-ON Electronics

Largest Supplier of Electrical and Electronic Components

*Click to view similar products for [I/O Connectors](#) category:*

*Click to view products by [TE Connectivity](#) manufacturer:*

Other Similar products are found below :

[571763P](#) [58098-0628](#) [D20419-211](#) [D38999/20FJ24PA L/C](#) [D38999/20FJ29SB L/C](#) [D38999/24FG11SN L/C](#) [72.250.1628.2](#) [72.250.2428.2](#)  
[74720-0505](#) [76.350.0729.0](#) [76871-1403](#) [FCN-244F080-G/1](#) [FCN-260A9920](#) [FCN-268D024-G/2F#10X-R10](#) [PCS-E50FA](#) [PCS-XE26LKA](#)  
[PCS-XE26MA+](#) [PCS-XES68MS+](#) [G38A71314B](#) [DX40-50P\(55\)](#) [1571250010](#) [157-22500-3](#) [MS3471L14-19P L/C](#) [1888020-8](#) [91-569786-](#)  
[35H](#) [91-569786-35M](#) [91-644626-35P](#) [SM3100F14S-58S](#) [172501-4002](#) [172501-6002](#) [FCN-260C008-A/L0](#) [FCN-260C024-AL0](#) [FCN-](#)  
[261Z008](#) [FCN-268D008-G/1K](#) [2000314-1](#) [200331-1](#) [2007498-2](#) [PCR-E28LMDAG1+](#) [PCR-E36FC+](#) [PCS-E28FS+](#) [PCS-XE26SLFD+](#) [PCS-](#)  
[XE26SLFDT+](#) [G38A71214B](#) [HDRA-E68W1LFDTC-SL+](#) [HDR-E14MSG1+](#) [R88A-CNK81S](#) [CRT1-ATT02](#) [54182-0605](#) [U90B2054081210](#)  
[UE86K842720321](#)