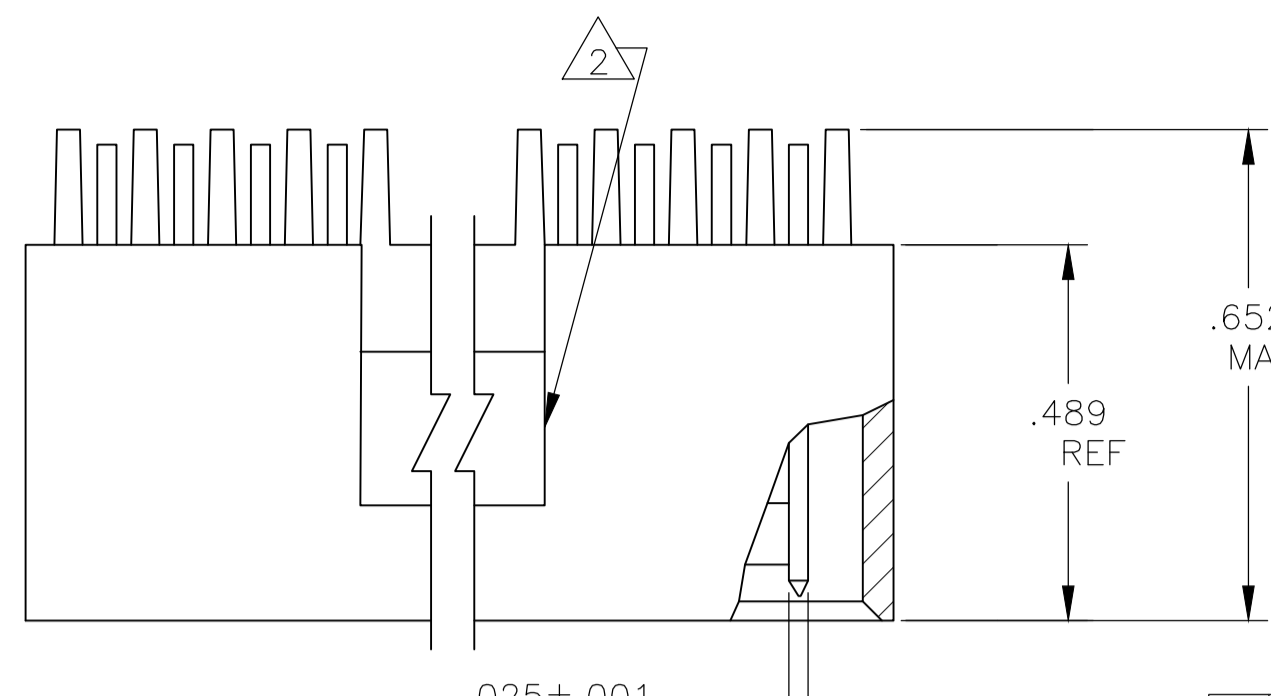
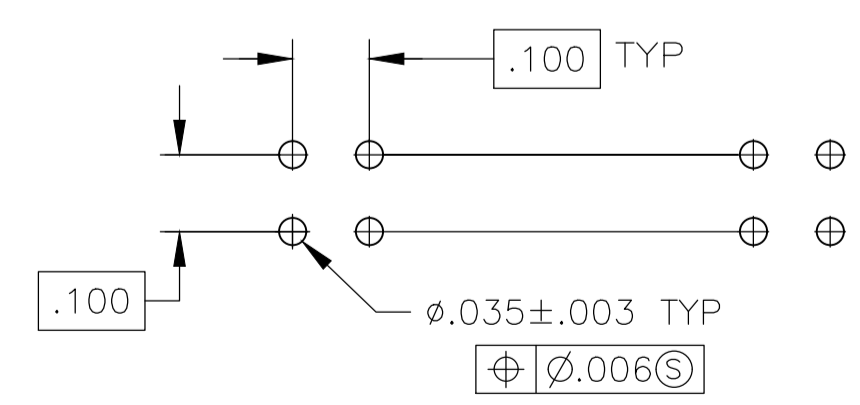
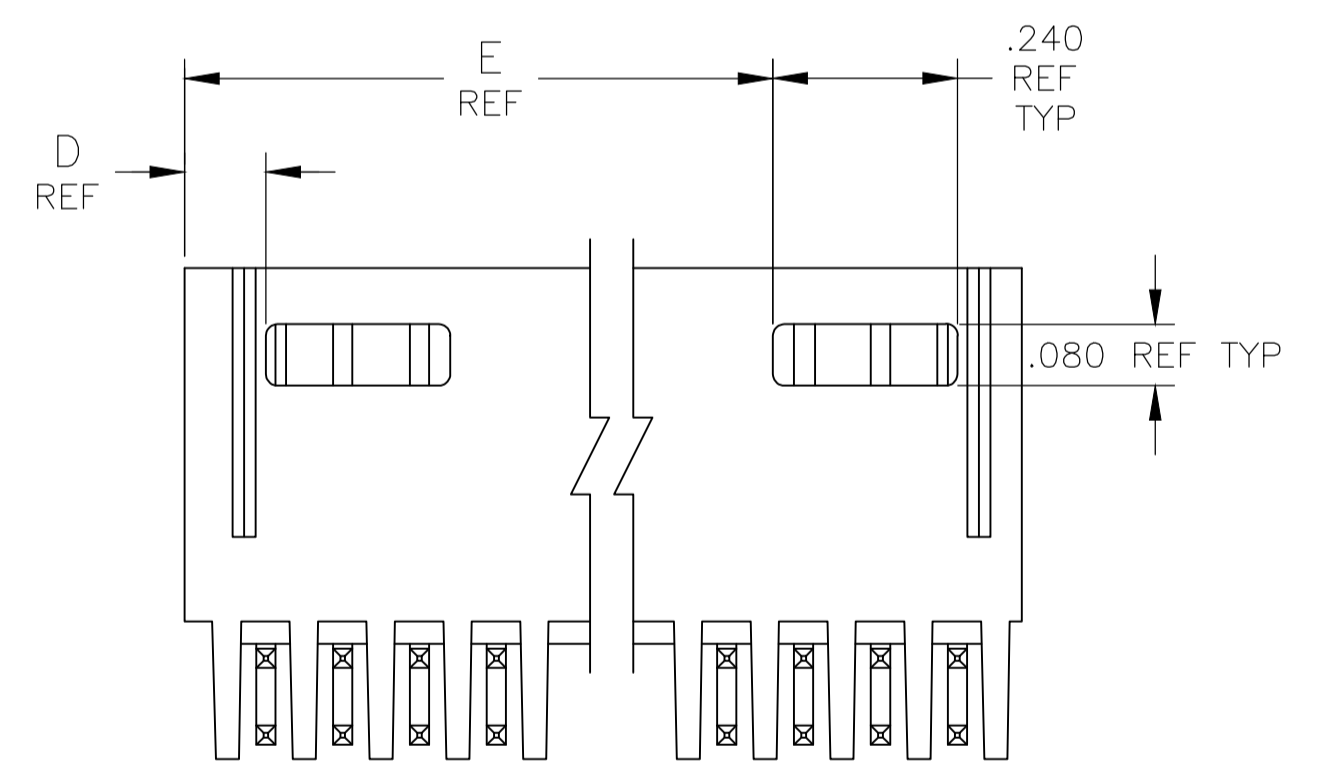
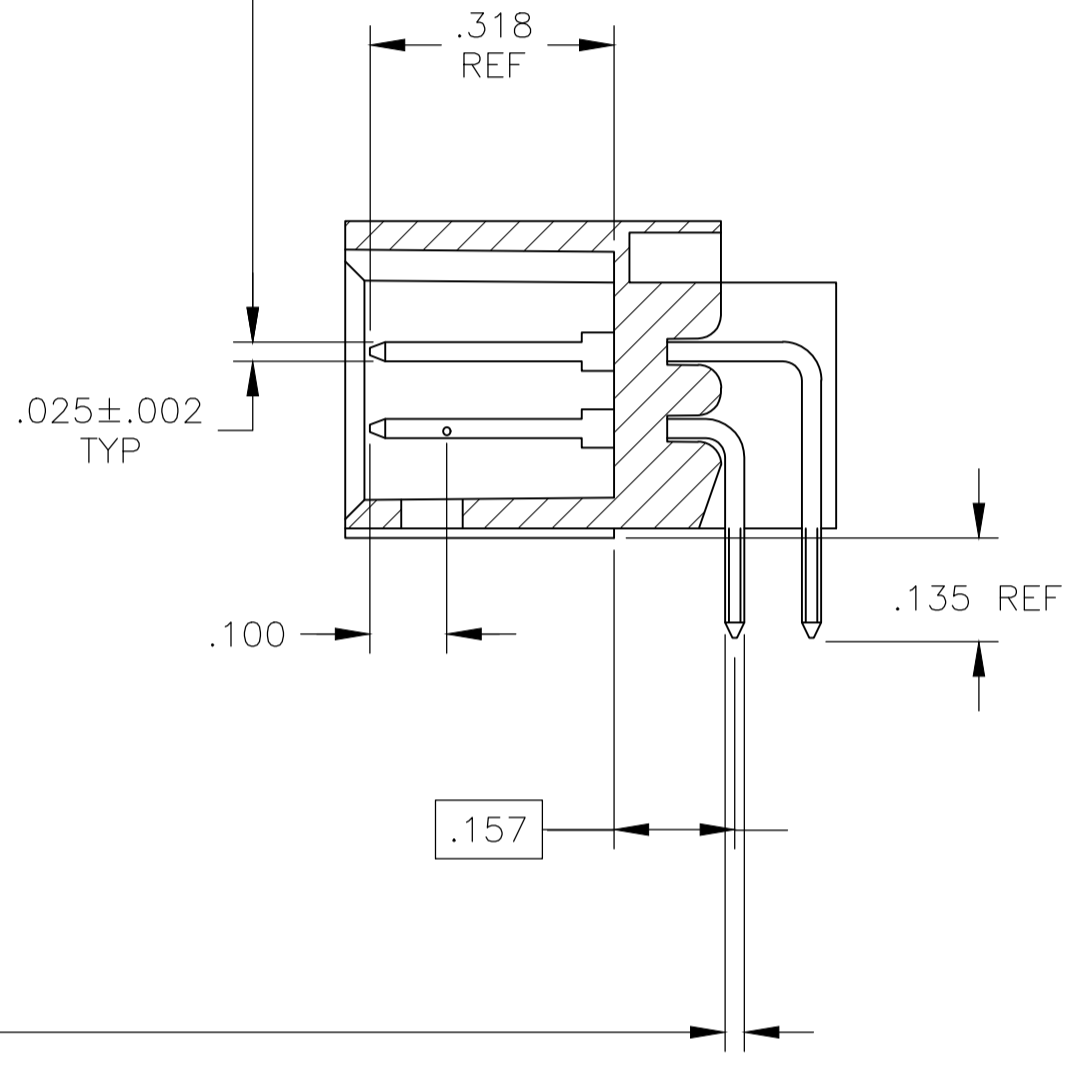
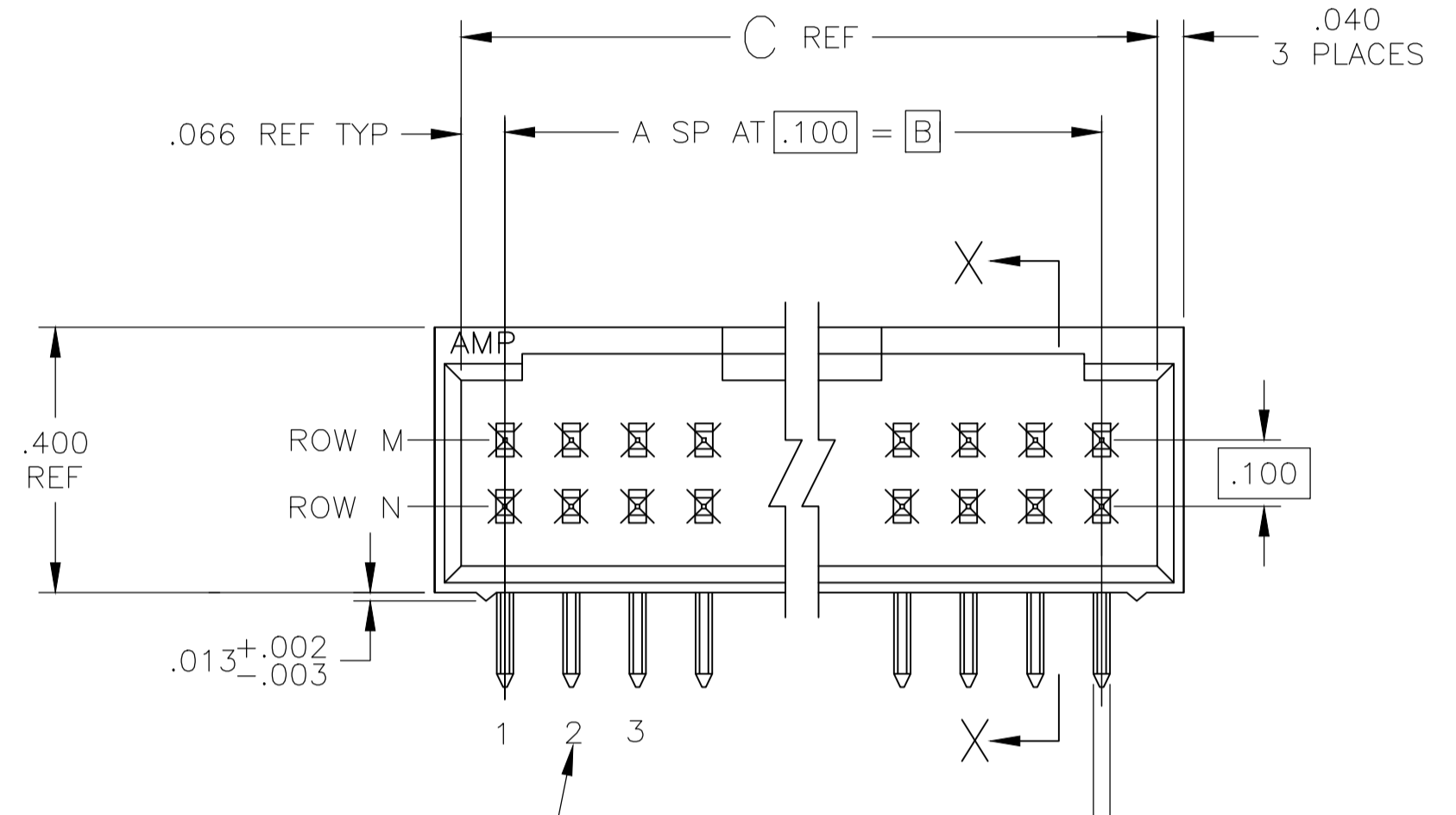


REVISIONS						
P	TR	DESCRIPTION	DATE	DN	APVD	
R3		PART STATUS UPDATED IN PART LIST TABLE	19FEB2018	SD	PS	



1. STAND-OFFS:
6 THRU 18 POSN (2) REQD LOCATED AS SHOWN OUTBOARD OF END CIRCUITS.
20 THRU 38 POSN (3) REQD LOCATED OUTBOARD OF END CIRCUITS PLUS (1) CENTERED.
40 THRU 74 POSN (4) REQD LOCATED OUTBOARD OF END CIRCUITS WITH (2) EVENLY SPACED WITHIN THE REMAINING LENGTH.
- 2 ACCESS SLOT
- 3 .000100-.000200 BRIGHT TIN-LEAD OVER .000050 NICKEL.
- 4 .000100-.000200 BRIGHT TIN OVER .000050 NICKEL.
- 5 PRELIMINARY PART
- 6 .000100-.000200 MATTE TIN OVER .000050 NICKEL
- 7 OBSOLETE PARTS: OBSOLETE CIS STREAMLINING PER D.RENAUD/D.SINISI



	FINISH	E	D	C	B	A	NO. OF POSN	PART NO.
7							6	8-87579-5
6							2	8-87579-4
6							36	8-87579-4
6							74	8-87579-4
6							35	8-87579-3
6							72	8-87579-3
6							70	8-87579-2
6							68	8-87579-1
6							66	8-87579-0
6							64	7-87579-9
6							62	7-87579-8
6							60	7-87579-7
6							58	7-87579-6
6							56	7-87579-5
6							54	7-87579-4
6							52	7-87579-3
6							50	7-87579-2
6							48	7-87579-1
7							46	7-87579-0
6							44	6-87579-9
6							42	6-87579-8
6							40	6-87579-7
6							38	6-87579-6
7							36	6-87579-5
6							34	6-87579-4
6							32	6-87579-3
6							30	6-87579-2
7							28	6-87579-1
6							26	6-87579-0
6							24	5-87579-9
6							22	5-87579-8
6							20	5-87579-7
6							18	5-87579-6
6							16	5-87579-5
6							14	5-87579-4
6							12	5-87579-3
6							10	5-87579-2
6							8	5-87579-1
5							60	3-87579-9
4							28	3-87579-8
4							16	3-87579-7
4							12	3-87579-6
4							6	3-87579-5
7							74	3-87579-4
7							72	3-87579-3
7							70	3-87579-2
7							68	3-87579-1
7							66	3-87579-0
7							64	2-87579-9
7							62	2-87579-8
7							60	2-87579-7
7							58	2-87579-6
7							56	2-87579-5
7							54	2-87579-4
7							52	2-87579-3
7							50	2-87579-2
7							48	2-87579-1
7							46	2-87579-0
7							44	1-87579-9
7							42	1-87579-8
7							40	1-87579-7
7							38	1-87579-6
7							36	1-87579-5
7							34	1-87579-4
7							32	1-87579-3
7							30	1-87579-2
7							28	1-87579-1
7							26	1-87579-0
7							24	87579-9
7							22	87579-8
7							20	87579-7
7							18	87579-6
7							16	87579-5
7							14	87579-4
7							12	87579-3
7							10	87579-2
7							8	87579-1

THIS DRAWING IS A CONTROLLED DOCUMENT.

DIMENSIONS: INCHES	TOLERANCES UNLESS OTHERWISE SPECIFIED: 0. PLC ± .001 1. PLC ± .001 2. PLC ± .001 3. PLC ± .001 4. PLC ± .001 ANGLES ± .5°	DIN S.A. SHUEY 11-10-89 CHK R. ELICKER 25-10-89 APVD R. ELICKER 25-10-89 NAME PRODUCT SPEC	<p>STE TE Connectivity</p> <p>HDR ASSY, MOD II, SHROUDED, 4 SIDES, DBL ROW, .100 X.100 C/L, .025 SQ POSTS</p>	
MATERIAL: HOUSING: FLAME RETARDANT THERMOPLASTIC; COLOUR: BLACK; CONTACTS: PHOS BRONZE	FINISH: SEE TABLE	WEIGHT: -	SIZE: A1	SCALE: 4:1
		CUSTOMER DRAWING	DRAWING NO: 00779	SHEET 1 OF 1

X-ON Electronics

Largest Supplier of Electrical and Electronic Components

Click to view similar products for [Headers & Wire Housings](#) category:

Click to view products by [TE Connectivity](#) manufacturer:

Other Similar products are found below :

[892-18-020-10-001101](#) [58102-G61-06LF](#) [582553-1](#) [0009485154](#) [009176003701906](#) [0050291907](#) [LY20-4P-DT1-P1E-BR](#) [02.125.8002.8](#)
[609-3404](#) [61062-3](#) [61082-181009](#) [622-3653LF](#) [63453-116](#) [636-1030](#) [636-1427](#) [636-3427](#) [636-4007](#) [641938-9](#) [641991-4](#) [644827-2](#) [65817-](#)
[010LF](#) [65817-015LF](#) [65863-015LF](#) [66207-023LF](#) [67095-007LF](#) [67601157](#) [68645-018](#) [68648-049](#) [70.362.1628.0](#) [70-4210](#) [70-4226B](#) [70-](#)
[4853B](#) [707-5020](#) [707-5028](#) [71.350.2428.0](#) [71918-208LF](#) [71961-016LF](#) [733-134](#) [733-162](#) [754199-000](#) [760-3052](#) [79531-3000](#) [FCN-](#)
[360C032-B](#) [FCN-367T-T012/H](#) [FCN-723D010/2](#) [80.063.4001.1](#) [800-90-001-10-001000](#) [800-90-010-10-002000](#) [801-43-002-10-013000](#)
[801-43-006-10-002000](#)