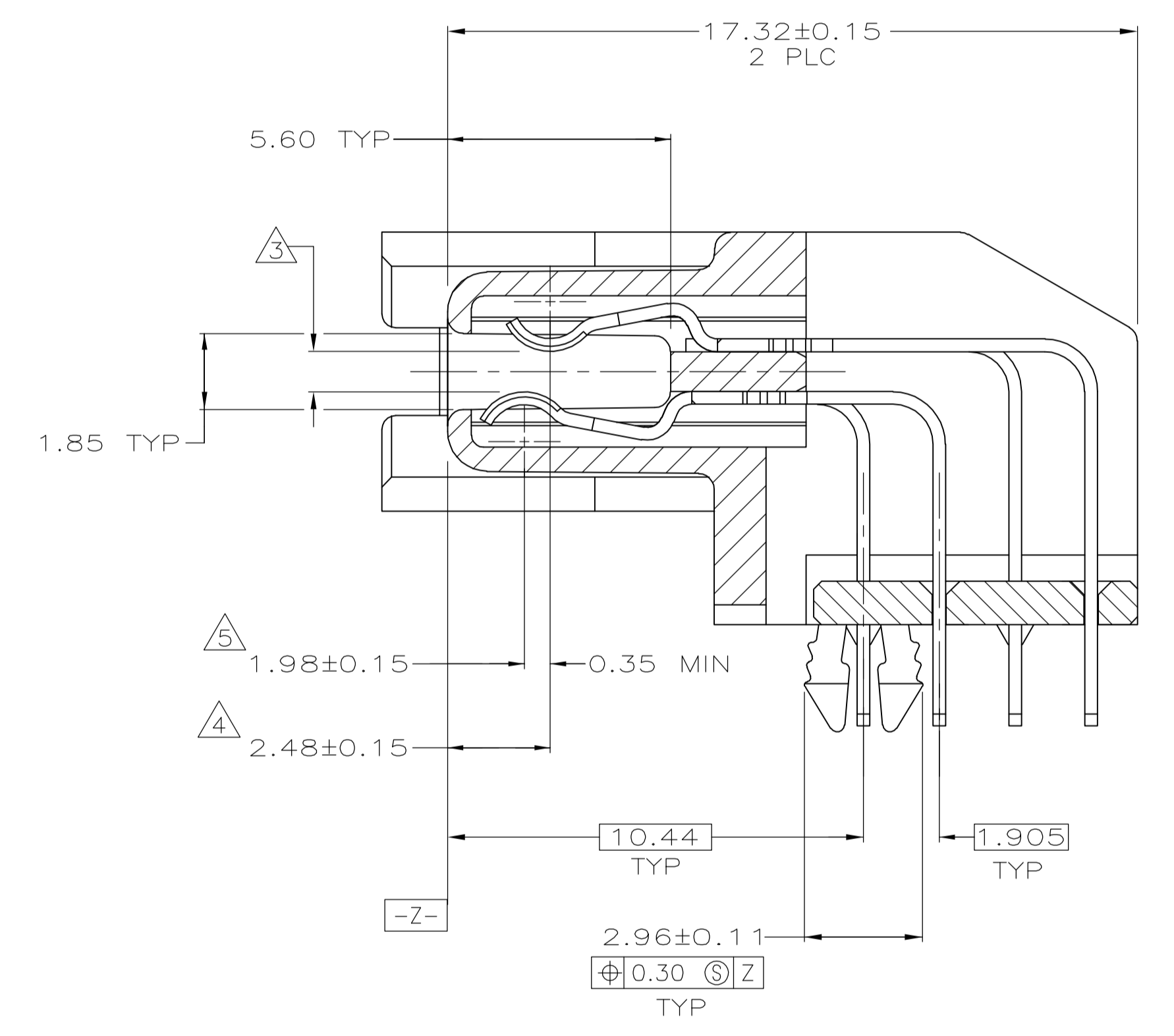


RECOMMENDED PC BOARD MOUNTING DIMENSIONS COMPONENT SIDE

- 1 HOUSING AND TINE PLATE: LCP, BLACK, UL 94V-0 RATED. TERMINALS: PHOSPHOR BRONZE. RETENTION LEGS: BRASS.
- 2 TERMINALS: 0.76µm MIN GOLD FOR A LENGTH 1.20 MIN STARTING 0.50 MAX FROM MATING END, 3.81µm MIN TIN-LEAD FOR A LENGTH OF 3.40 MIN FROM OPPOSITE END, BOTH OVER 1.27µm MIN NICKEL. RETENTION LEGS: 3.81µm MIN TIN-LEAD OVER 1.27µm MIN NICKEL.
- 3 CONNECTOR WILL ACCOMMODATE MATING PRINTED CIRCUIT BOARD OF 1.60±0.07.
- 4 CONTACTS 1-10,15,16 ARE POSITIONED AWAY FROM MATING FACE (SECOND MATE).
- 5 CONTACTS 11-14 AND 17-20 ARE POSITIONED TOWARD MATING FACE (FIRST MATE).
- 6 TERMINALS: 0.76µm MIN GOLD FOR A LENGTH 1.20 MIN STARTING 0.50 MAX FROM MATING END, 3.81µm MIN TIN FOR A LENGTH OF 3.40 MIN FROM OPPOSITE END, BOTH OVER 1.27µm MIN NICKEL. RETENTION LEGS: 3.81µm MIN TIN OVER 1.27µm MIN NICKEL.



SECTION B-B SCALE 8:1

YES	6	3.05	787653-4
YES	6	2.54	787653-3
NO	2	3.05	787653-2
NO	2	2.54	787653-1
LEAD FREE FINISH	D		PART NUMBER

THIS DRAWING IS A CONTROLLED DOCUMENT.		DIN B MCMMASTER 29MAR04	Tyco Electronics Corporation Harrisburg, Pa 17105-3608
DIMENSIONS: mm		CHK S. SHUEFY 29MAR04	
TOLERANCES UNLESS OTHERWISE SPECIFIED:		APVD B MCMMASTER 29MAR04	NAME
0 PLC ± -		PRODUCT SPEC	RECEPTACLE ASSEMBLY, RIGHT ANGLE, 20 POSITION, BOARD TO BOARD, .050, SERIES 1, CHAMP BLINDMATE
1 PLC ± -		108-1548	
2 PLC ± 0.10		APPLICATION SPEC	
3 PLC ± -		114-6061	
4 PLC ± -		SIZE CAGE CODE DRAWING NO	RESTRICTED TO
ANGLES ± -		114-6061	A1 00779 C=787653
MATERIAL FINISH SEE TABLE		WEIGHT	
1		CUSTOMER DRAWING	SCALE 4:1 SHEET 1 OF 1 REV H

## X-ON Electronics

Largest Supplier of Electrical and Electronic Components

*Click to view similar products for [I/O Connectors](#) category:*

*Click to view products by [TE Connectivity](#) manufacturer:*

Other Similar products are found below :

[571763P](#) [58098-0628](#) [D20419-211](#) [D38999/20FJ24PA L/C](#) [D38999/20FJ29SB L/C](#) [D38999/24FG11SN L/C](#) [72.250.1628.2](#) [72.250.2428.2](#)  
[74720-0505](#) [76.350.0729.0](#) [76871-1403](#) [FCN-244F080-G/1](#) [FCN-260A9920](#) [FCN-268D024-G/2F#10X-R10](#) [PCS-E50FA](#) [PCS-XE26LKA](#)  
[PCS-XE26MA+](#) [PCS-XES68MS+](#) [G38A71314B](#) [DX40-50P\(55\)](#) [1571250010](#) [157-22500-3](#) [MS3471L14-19P L/C](#) [1888020-8](#) [91-569786-](#)  
[35H](#) [91-569786-35M](#) [91-644626-35P](#) [SM3100F14S-58S](#) [172501-4002](#) [172501-6002](#) [FCN-260C008-A/L0](#) [FCN-260C024-AL0](#) [FCN-](#)  
[261Z008](#) [FCN-268D008-G/1K](#) [2000314-1](#) [200331-1](#) [2007498-2](#) [PCR-E28LMDAG1+](#) [PCR-E36FC+](#) [PCS-E28FS+](#) [PCS-XE26SLFD+](#) [PCS-](#)  
[XE26SLFDT+](#) [G38A71214B](#) [HDRA-E68W1LFDTC-SL+](#) [HDR-E14MSG1+](#) [R88A-CNK81S](#) [CRT1-ATT02](#) [54182-0605](#) [U90B2054081210](#)  
[UE86K842720321](#)