

DEUTSCH DMC-MD Shielded Cable Clamp

2 Piece Single Module Backshell Offering Cost-Efficient Strain-Relief

VERSATILE

- Interchangeable 2 piece design
- Simple shield termination

COMPATIBLE

- Mates with all DMC-MD single module connectors
- Attaches to both EN4165 plug and extended receptacle

RUGGED AND RELIABLE

- Design is based on EN4165
- Utilizes high-performance composite materials
- -55°C to +175°C operating temperature

SIMPLE INSTALLATION

- Utilizes 2 self-tapping stainless steel screws

COST EFFECTIVE

- Eliminates multiple piece constructions
- No special tooling required; eliminates cable ties
- Fast mate and de-mate with enhanced grip design

ENHANCED PART IDENTIFICATION

- TE logo and part number molded in

Description

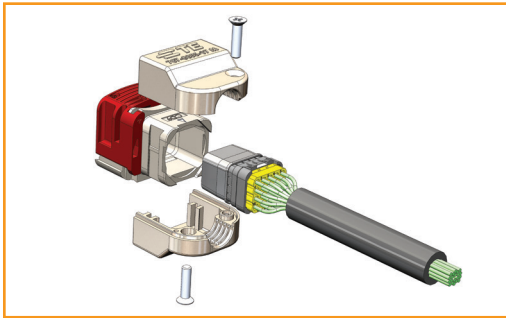
The new TE Connectivity (TE) cost optimized DMC-MD shielded cable clamp is based on the European Standard EN4165. It provides a simple 2-piece split shell design that is compact, simple to use, and easy to install. Because both halves are identical, there are no concerns with mateability. Two new exciting features include the incorporation of 2 stainless steel self-tapping screws, eliminating conventional thread locking screws. Our newly designed back end provides enhanced gripping action to help facilitate the mate and de-mate connector process. This cost optimized backshell is the simplest design ever and can be positioned on both the plug and extender receptacle.

TE Components . . . TE Technology . . . TE Know-how . . .
 AMP | AGASTAT | CII | HARTMAN | KILOVAC | MICRODOT | NANONICS | POLAMCO | Raychem
 SEACON | Rochester | DEUTSCH

Empower Engineers to Solve Problems, Moving the World Forward.

DEUTSCH DMC-MD Shielded Cable Clamp

2 Piece Single Module Backshell Offering Cost-Efficient Strain-Relief



Rugged Reliability

Built to withstand various harsh environmental conditions typically seen in the aerospace industry, the DMC-MD 2 Piece Single Module Cable Clamp is ideal for use where robust wire and cable retention is required. This includes both shielded and non-shielded applications, including potential multiple re-entries.

Versatile, Quick, Easy

The 2 Piece Single Module Cable Clamp provides maximum flexibility during design and installation and is fully compatible with TE's aerospace-qualified DMC-MD connectors. In addition, it is compatible with all other EN4165 compliant connectors currently in the market.

Simple, Efficient, Cost Effective

The simplicity of design and versatility of a common cable clamp makes this a very cost efficient strain-relief solution for DMC-MD plugs and receptacles and with our logo and part number molded in, lead times and costs are further reduced.

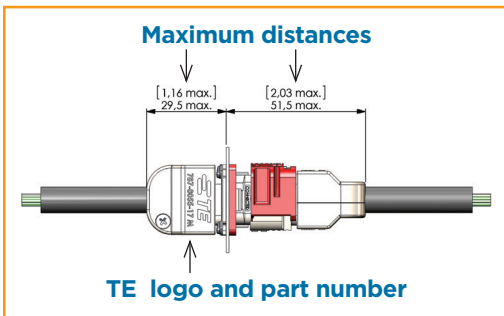


Applications

- Lighting
- Seat wiring and actuation
- Cabin wiring
- Passenger service unit
- Onboard entertainment systems

SPECIFICATIONS

- **Materials:** Composite, Nickel-Plated Thermoplastic
- **Temperature:** -55°C to +175°C
- **Weight:** 10 gr max.
- **Torque Screw:** 4.42 in-lbs max.



te.com/deutsch-dmc-md-shielded

© 2018 TE Connectivity All Rights Reserved.

1-1773951-3 05/18

AMP, AGASTAT, CII, DEUTSCH, HARTMAN, KILOVAC, MICRODOT, NANONICS, POLAMCO, Raychem, SEACON, TE, TE Connectivity and the TE connectivity (logo) are trademarks of TE Connectivity.

Other products, logos, and company names mentioned herein may be trademarks of their respective owners.

While TE Connectivity (TE) has made every reasonable effort to ensure the accuracy of the information herein, nothing herein constitutes any guarantee that such information is error-free, or any other representation, warranty or guarantee that the information is accurate, correct, reliable or current. The TE entity issuing this publication reserves the right to make any adjustments to the information contained herein at any time without notice. All implied warranties regarding the information contained herein, including, but not limited to, any implied warranties of merchantability or fitness for a particular purpose are expressly disclaimed. The dimensions herein are for reference purposes only and are subject to change without notice. Specifications are subject to change without notice.

Consult TE for the latest dimensions and design specifications.

North America +1 800 522 6752 • Asia Pacific +86 0 400 820 6015 • France +33 1 34 20 86 86 • Germany +49 6251 133 1999 • United Kingdom +44 800 267 666
Visit te.com for additional country contacts.

X-ON Electronics

Largest Supplier of Electrical and Electronic Components

Click to view similar products for [Rectangular MIL Spec Connectors](#) category:

Click to view products by [TE Connectivity](#) manufacturer:

Other Similar products are found below :

[891-011-15SA2-BSST](#) [CTS-S16/16](#) [65002-062](#) [CY4602-000](#) [732-8020-01](#) [77058-22-55PN](#) [81542-20](#) [86.030.0053.0](#) [1241346-1](#) [RM252-020-311-2900](#) [DMC-M 08-16 SA](#) [1589051-4](#) [MSO34MPK1E1](#) [BACC65CAMA](#) [BACC65CP1PN](#) [BACI10BC0816PNBA](#) [HSB-D4S03DM222X](#) [2217548-1](#) [891-006-9PS-BST1T](#) [891-009-15SA2-BRT1T](#) [27963-20T12](#) [SIM2N40NC3](#) [SIM2S100A](#) [1604996-2](#) [SMD25PN90L-4055](#) [1900ND08S1B00A](#) [22628-10-6P-791](#) [33526M11-08PD](#) [RE04-212S](#) [M32139/03-G05SN](#) [CTD160E01F-6148](#) [CTJ112E03B](#) [CTJ122E02D-8000](#) [CTJ-3D-12](#) [CTJ920E06N-513](#) [CTJ920E12N-513](#) [CTL-16-090](#) [RM300-000-581-0000](#) [CY4600-000](#) [CY4601-000](#) [38111-14-15SN](#) [38112-14-15PN](#) [MMA23-0111R1](#) [MMD25-0071P1](#) [33516062020](#) [33526M11-08PE](#) [DMC-M99-01AN](#) [Y59113WE20PNV00300](#) [ZPF000000000106310](#) [105979-31](#)