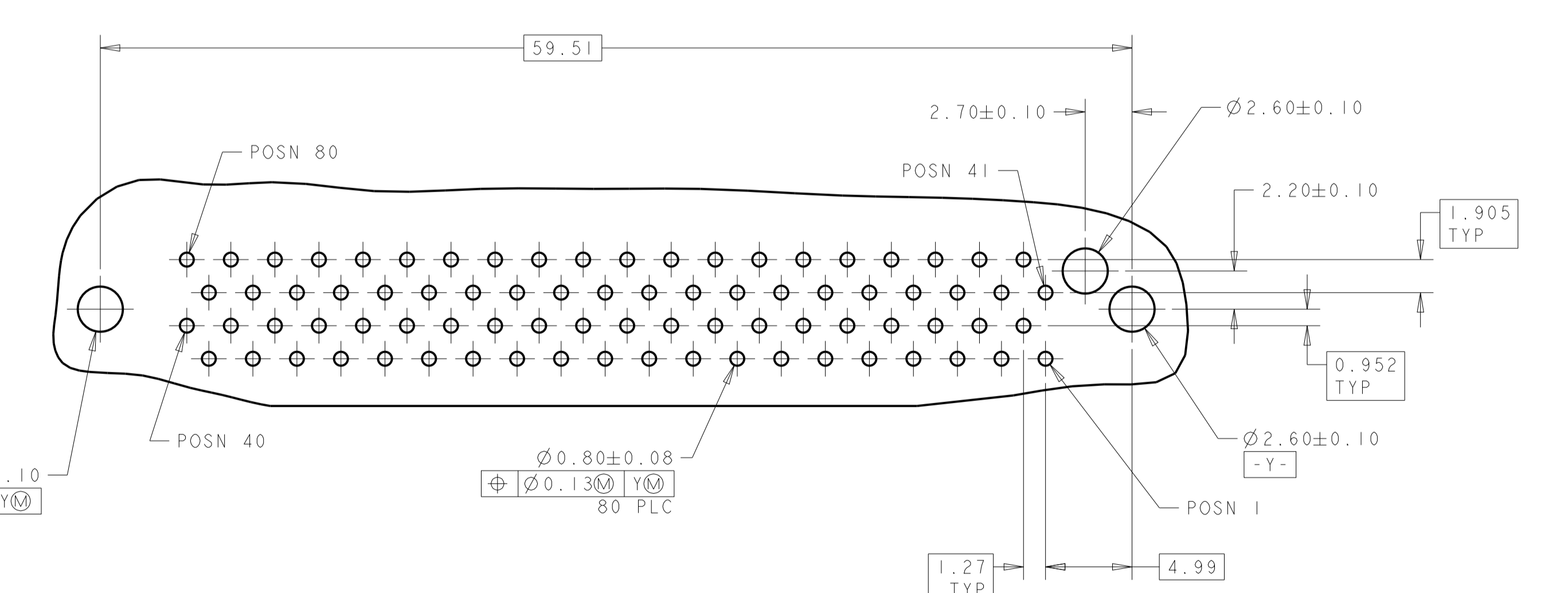
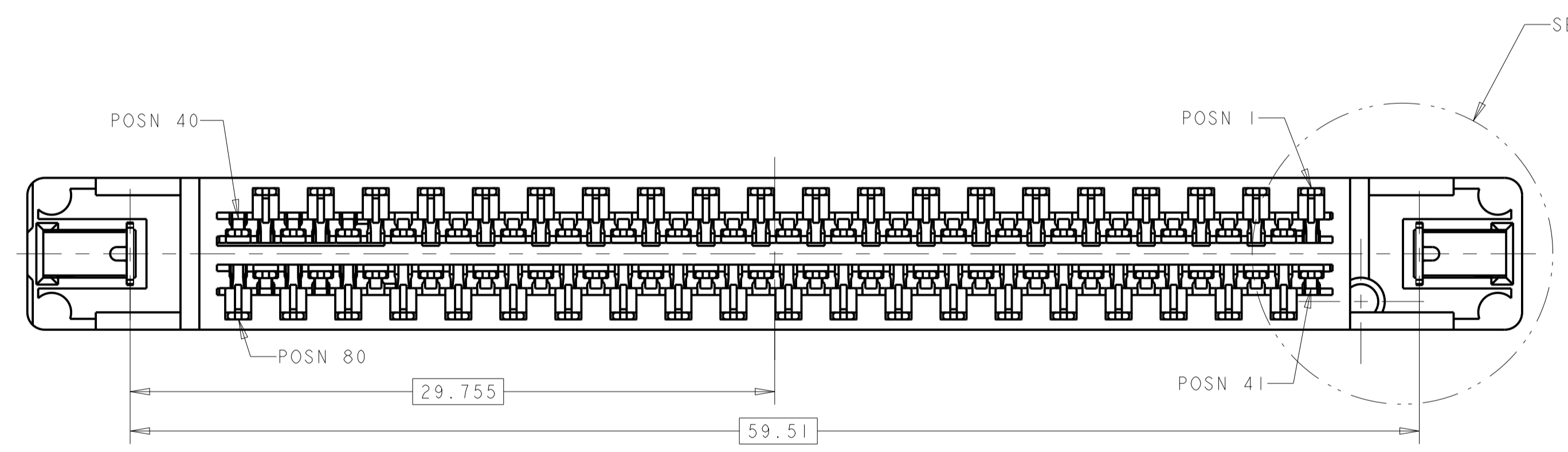
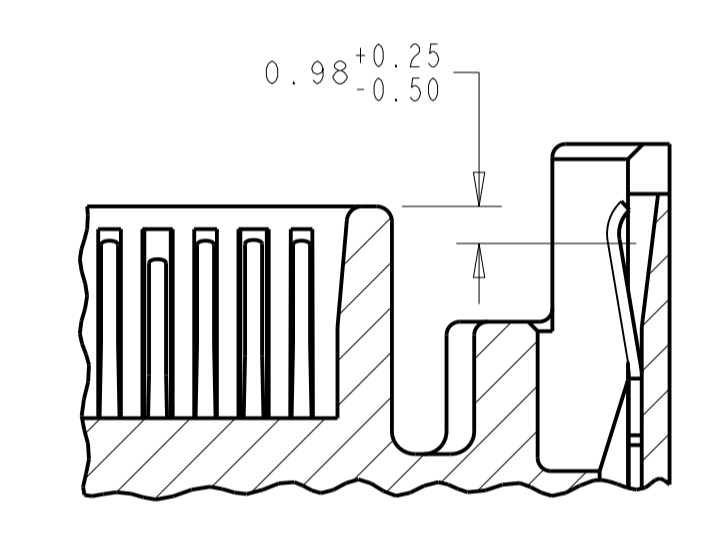
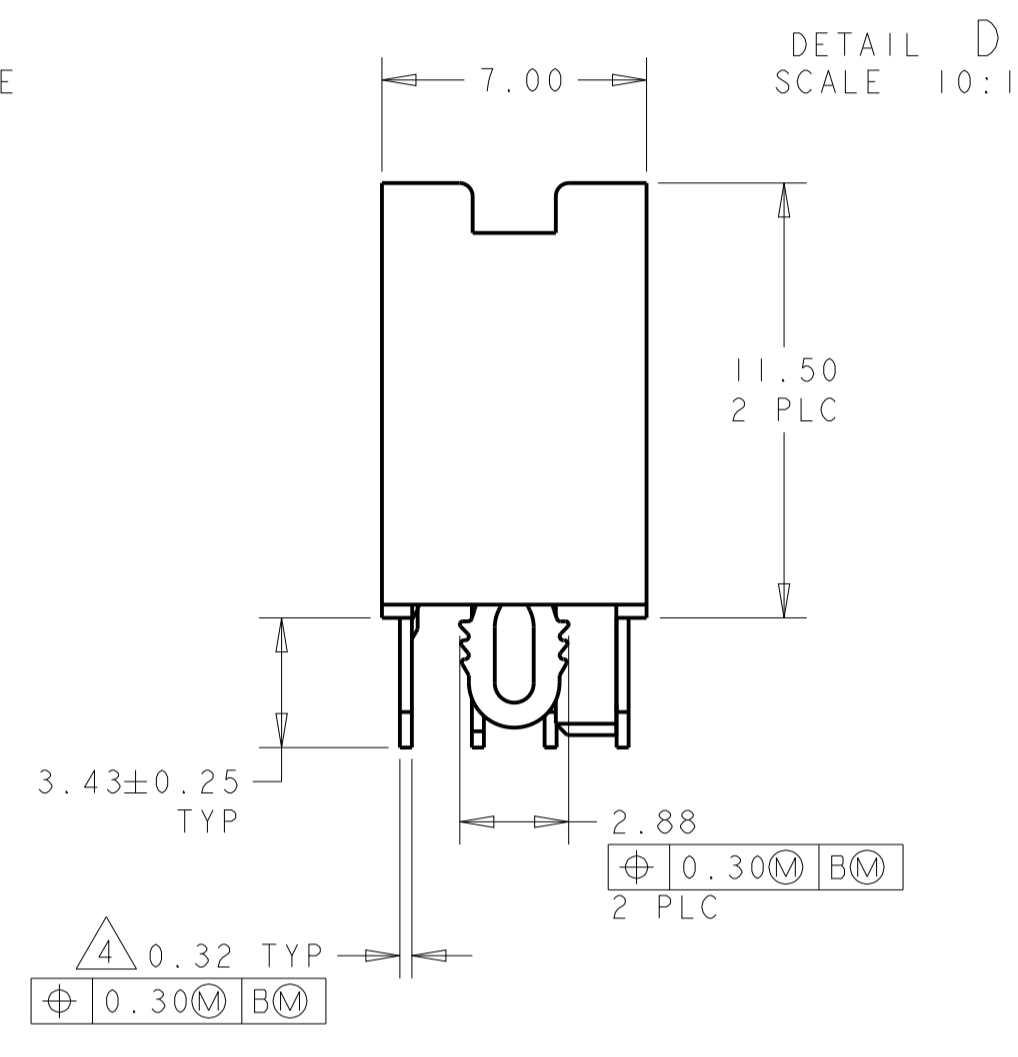
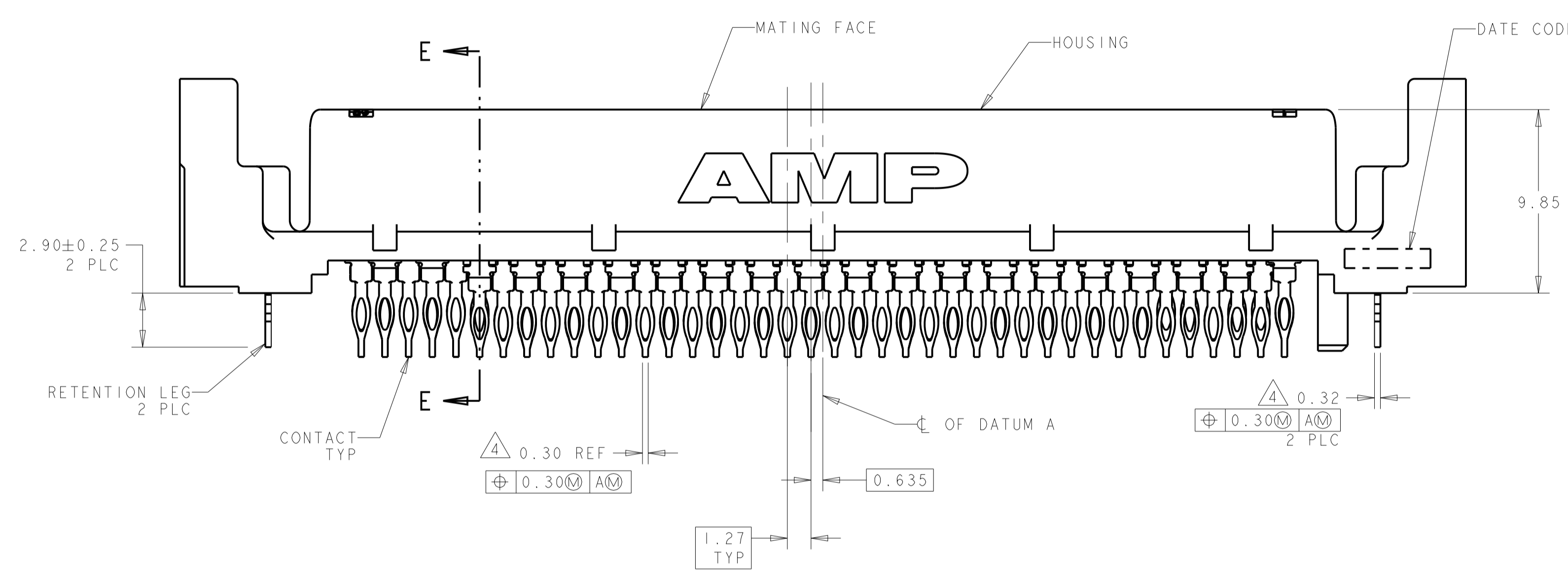
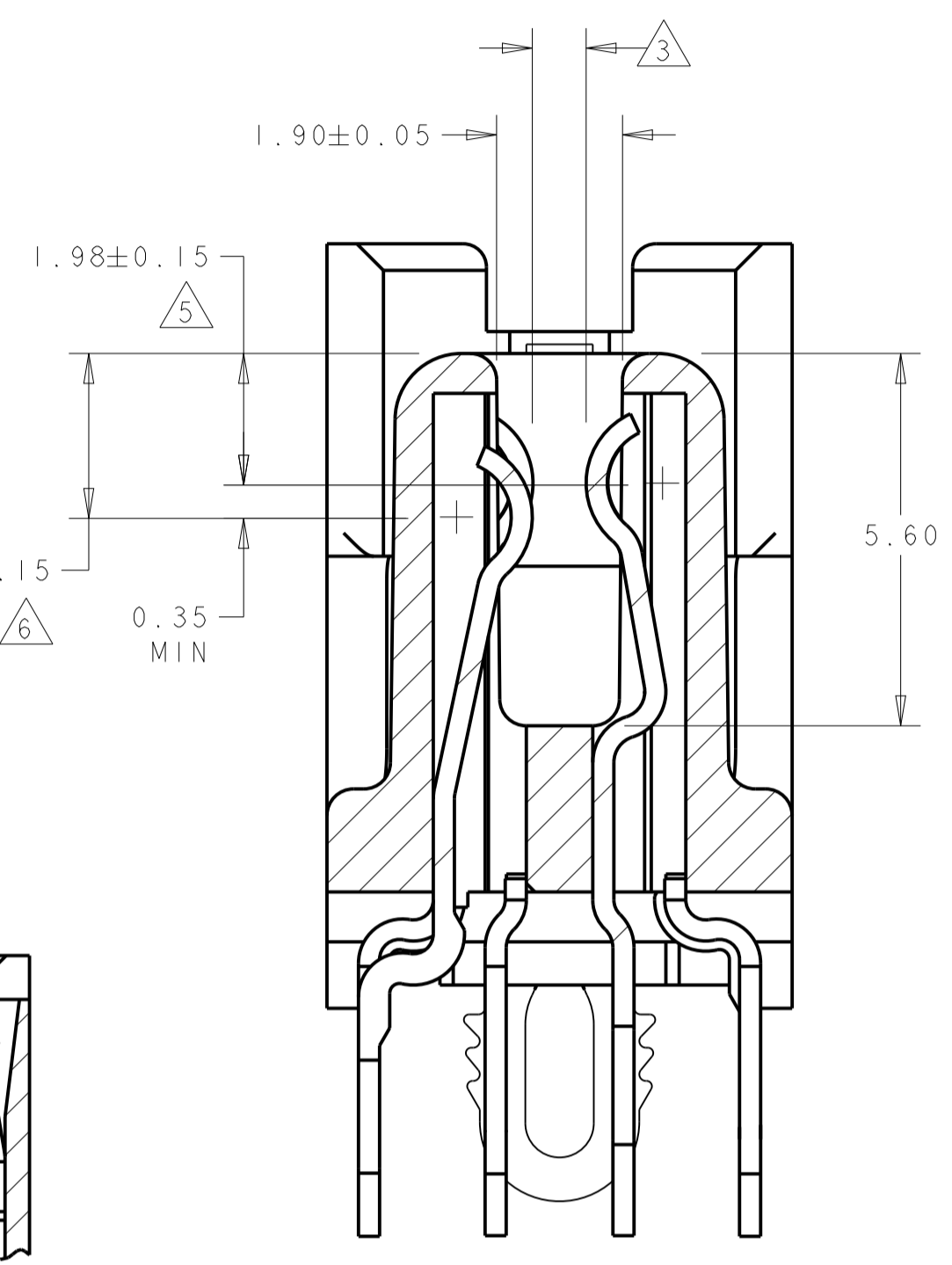
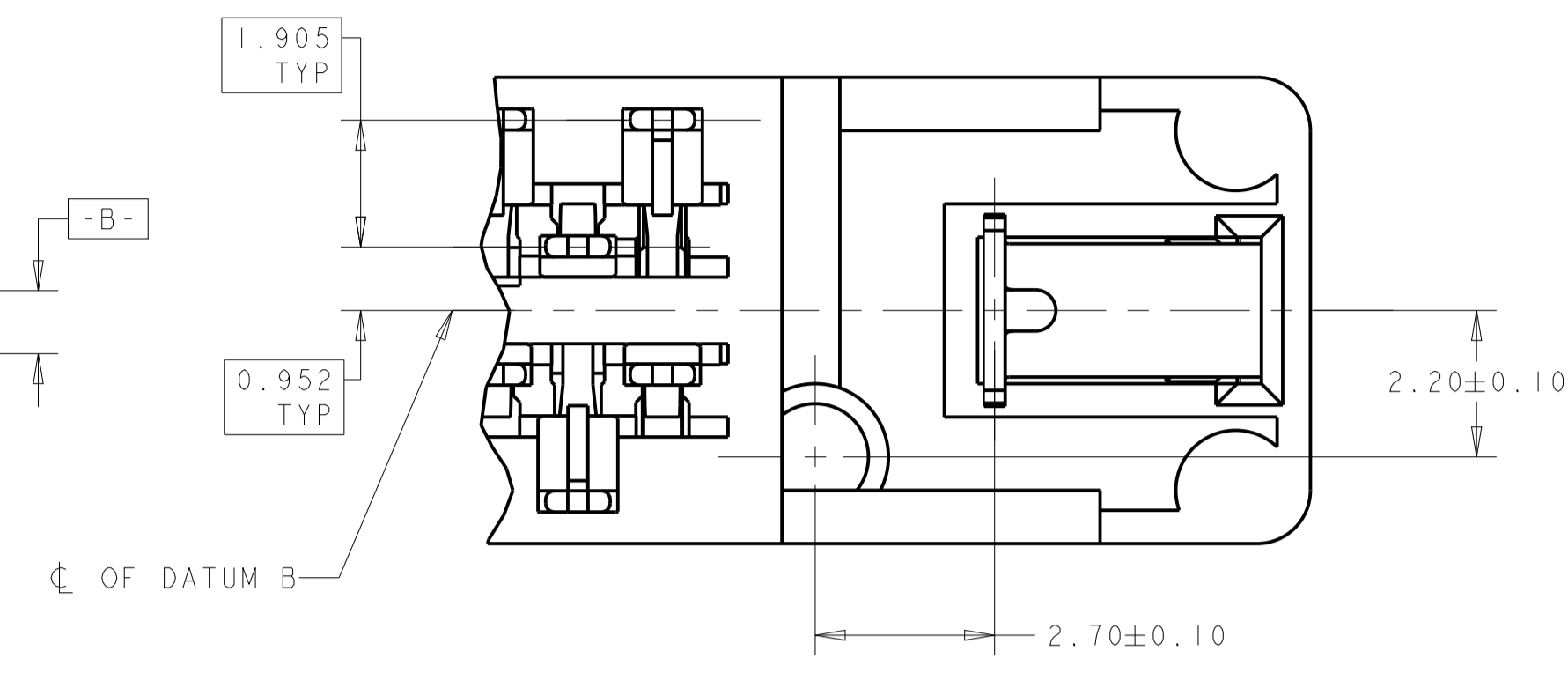
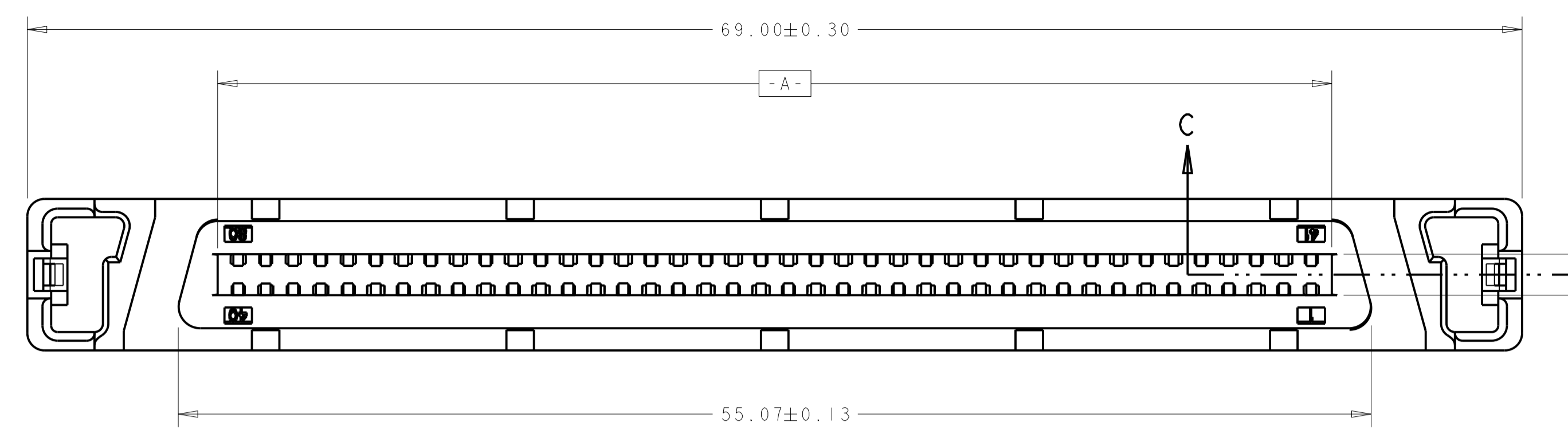


LOC	DIST	REVISIONS			
GP	00	REV	DATE	BY	CHK
		K	09APR13	BL	AC
		K1	03MAR2021	SH	SZ



- 1 HOUSING: LCP, UL 94V-0 RATED, BLACK. CONTACTS: PHOSPHOR BRONZE. RETENTION LEG: BRASS.
- 2 CONTACTS: 0.76µm GOLD FOR A LENGTH OF 1.20 MIN STARTING 0.50 MAX FROM MATING END, 1.27µm-3.81µm TIN-LEAD FOR A LENGTH OF 3.43 MIN FROM OPPOSITE END, BOTH OVER 1.27µm MIN NICKEL.
- 3 CONNECTOR WILL ACCOMMODATE MATING PRINTED CIRCUIT BOARD OF 1.60±0.07 THICKNESS.
- 4 POSITION TOLERANCE APPLIES AT CONTACT TIP ONLY.
- 5 DIMENSION APPLIES TO CONTACTS 1, 36 THRU 40, 41 THRU 43, 45, 46 AND 75 THRU 80.
- 6 DIMENSION APPLIES TO CONTACTS 2 THRU 35, 44, AND 47 THRU 74.
- 7 RETENTION LEG: 3.81µm MIN TIN-LEAD OVER 1.27µm MIN NICKEL.
- 8 RECOMMENDED PC BOARD THICKNESS IS 2.36 TO 3.81.
- 9 CONTACTS: 0.76µm GOLD FOR A LENGTH OF 1.20 MIN STARTING 0.50 MAX FROM MATING END, 1.27µm-3.81µm MATTE TIN FOR A LENGTH OF 3.43 MIN FROM OPPOSITE END, BOTH OVER 1.27µm MIN NICKEL.
- 10 RETENTION LEGS: 3.81µm MIN HALT TIN.
- 11 CONTACTS: 0.38µm GOLD FOR A LENGTH OF 1.20 MIN STARTING 0.50 MAX FROM MATING END, 1.27µm-3.81µm MATTE TIN FOR A LENGTH OF 3.43 MIN FROM OPPOSITE END, BOTH OVER 1.27µm MIN NICKEL.
- 12 CONTACTS: 0.38µm GOLD FOR A LENGTH OF 1.20 MIN STARTING 0.50 MAX FROM MATING END, 1.27µm-3.81µm TIN-LEAD FOR A LENGTH OF 3.43 MIN FROM OPPOSITE END, BOTH OVER 1.27µm MIN NICKEL.
- 13 OBSOLETE STREAMLINING PER D.RENAUD/D.SINISI

RECOMMENDED PC BOARD MOUNTING DIMENSIONS COMPONENT SIDE SCALE 4:1

FINISH	PART NUMBER
1	787900-4
2	787900-3
3	787900-2
4	787900-1

THIS DRAWING IS A CONTROLLED DOCUMENT.

DIMENSIONS:	TOLERANCES UNLESS OTHERWISE SPECIFIED:	OWN: R. FOLTZ 13-Sep-96	NAME: RECEPTACLE ASSEMBLY, VERTICAL, 80 POSITION, PRESS FIT, CHAMP BLINDMATE .050 SERIES 1
mm	0 PLC ±	CHK: J. SWANK 17-Sep-96	PRODUCT SPEC: 108-1548
	1 PLC ±0.13	APVD: J. SWANK 17-Sep-96	APPLICATION SPEC:
	2 PLC ±		SIZE: A100779C=787900
	3 PLC ±		SCALE: 2:1 SHEET: 1 OF 1 REV: K1
	4 PLC ±		
MATERIAL:	FINISH: SEE TABLE	WEIGHT:	CUSTOMER DRAWING
ANGLES:			

TE Connectivity

X-ON Electronics

Largest Supplier of Electrical and Electronic Components

Click to view similar products for [I/O Connectors](#) category:

Click to view products by [TE Connectivity](#) manufacturer:

Other Similar products are found below :

[571763P](#) [72.250.1628.2](#) [72.250.2428.2](#) [74720-0505](#) [76.350.0729.0](#) [76871-1403](#) [FCN-244F080-G/1](#) [FCN-260A9920](#) [MP-5T180MUNNA-005](#)
[PCR-E36PM](#) [PCS-XE26MA+](#) [G38A71314B](#) [1571250010](#) [157-22500-3](#) [MS3471L14-19P L/C](#) [91-569786-35H](#) [172501-4002](#) [172501-6002](#)
[FCN-260C008-A/L0](#) [FCN-260C024-AL0](#) [FCN-261Z008](#) [2000314-1](#) [200331-1](#) [PCR-E36FC+](#) [PCS-E28FS+](#) [PCS-XE26SLFD+](#) [PCS-](#)
[XE26SLFDT+](#) [G730VID08BDC24](#) [U90B2054081210](#) [UE86K842720321](#) [38113800006](#) [DP3AR020WQ1R200](#) [Z4.102.0680.0](#) [500-1040](#)
[500-1052](#) [500-1054](#) [ZP-4008-66L](#) [0709821002](#) [10-565995-597N](#) [DX40-20P\(55\)](#) [5554841-1](#) [MS3474W18-8P-LC*](#) [U90B3054061110](#) [U65-](#)
[E04-4020](#) [ZPF000000000097891](#) [557-262M2-06C](#) [747360449](#) [10099439-003C-TRLF](#) [10137239-0021LF](#) [E9320-001-01](#)