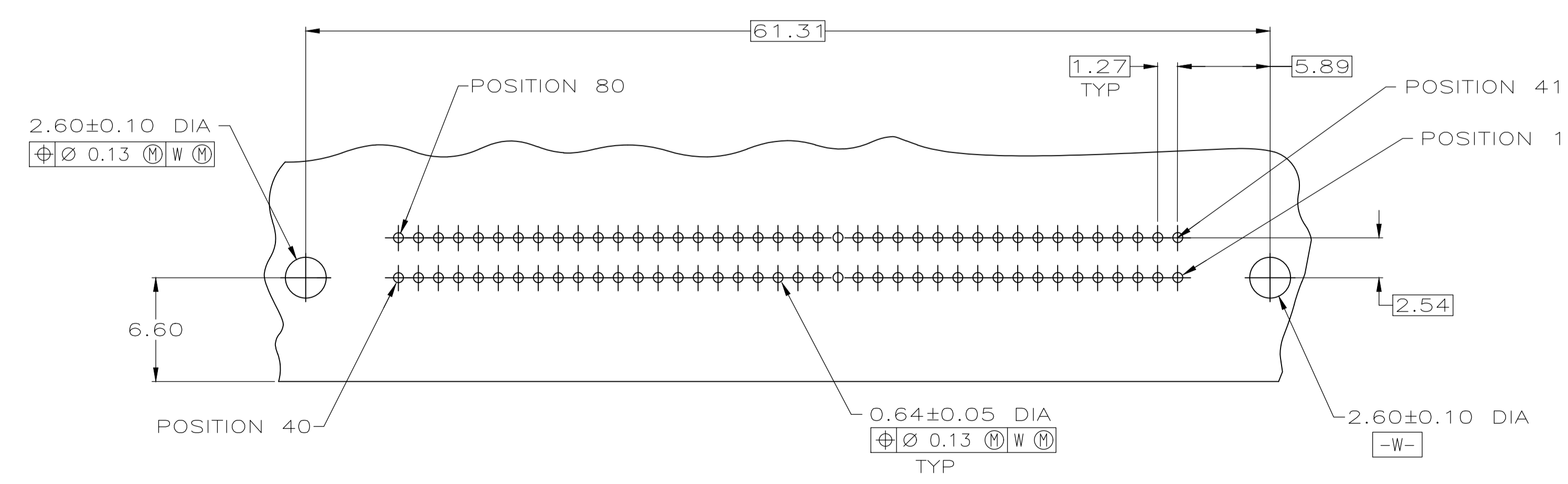
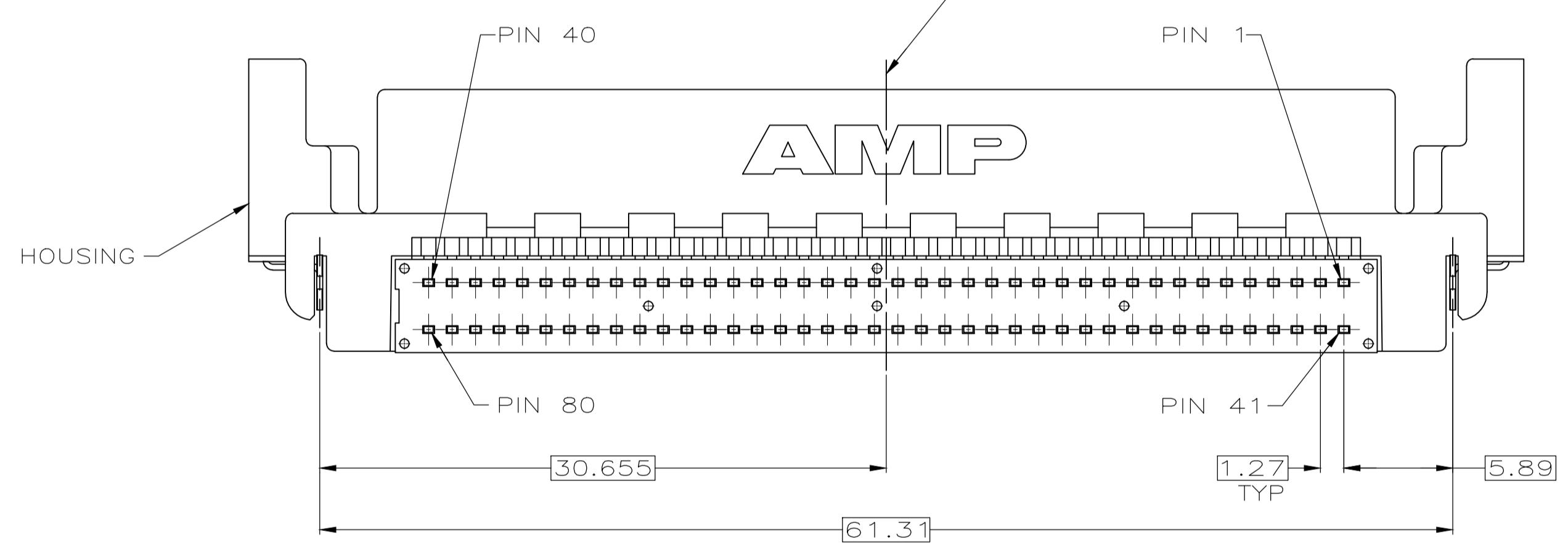
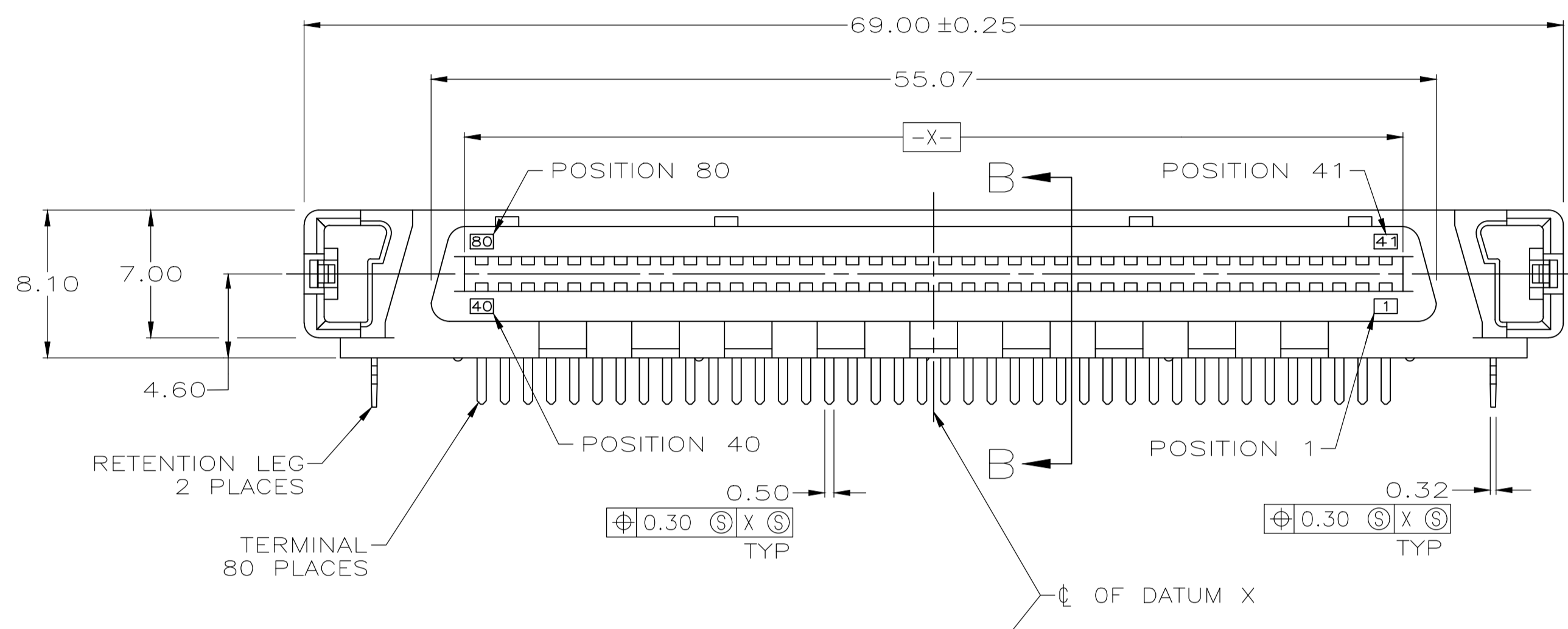
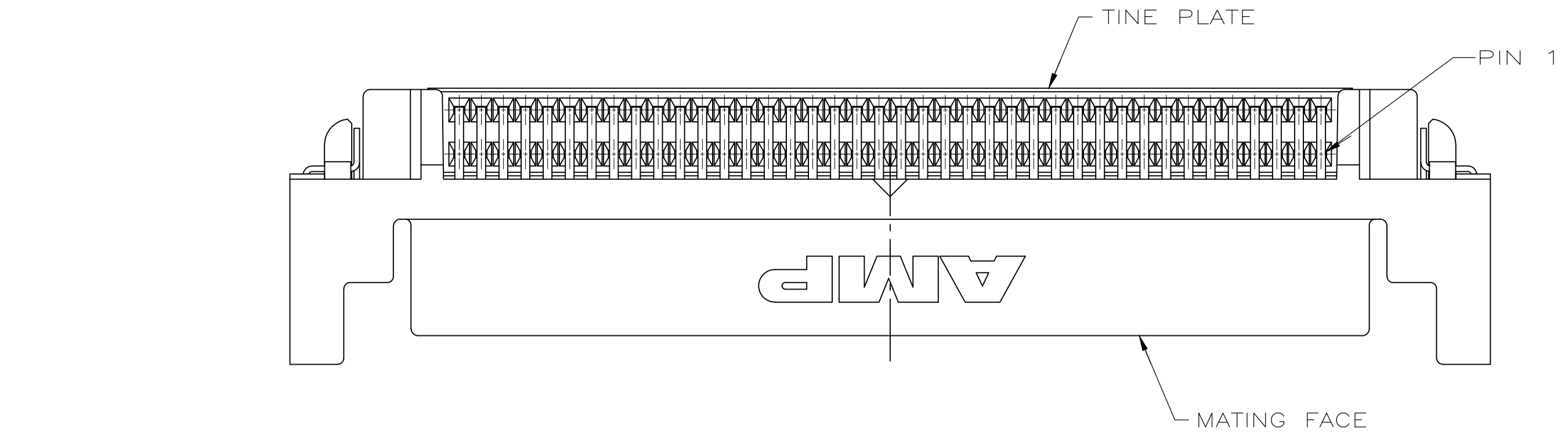
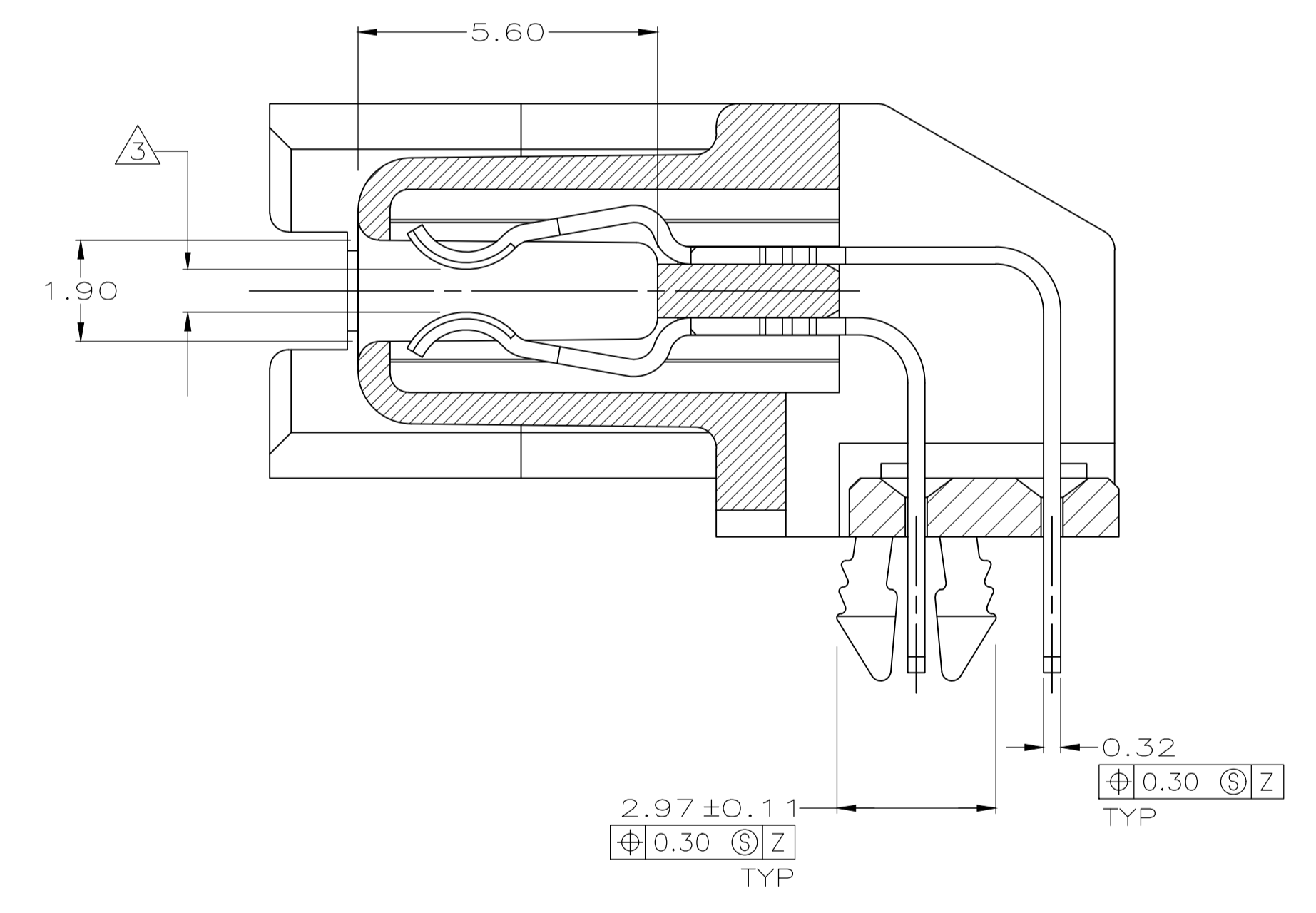
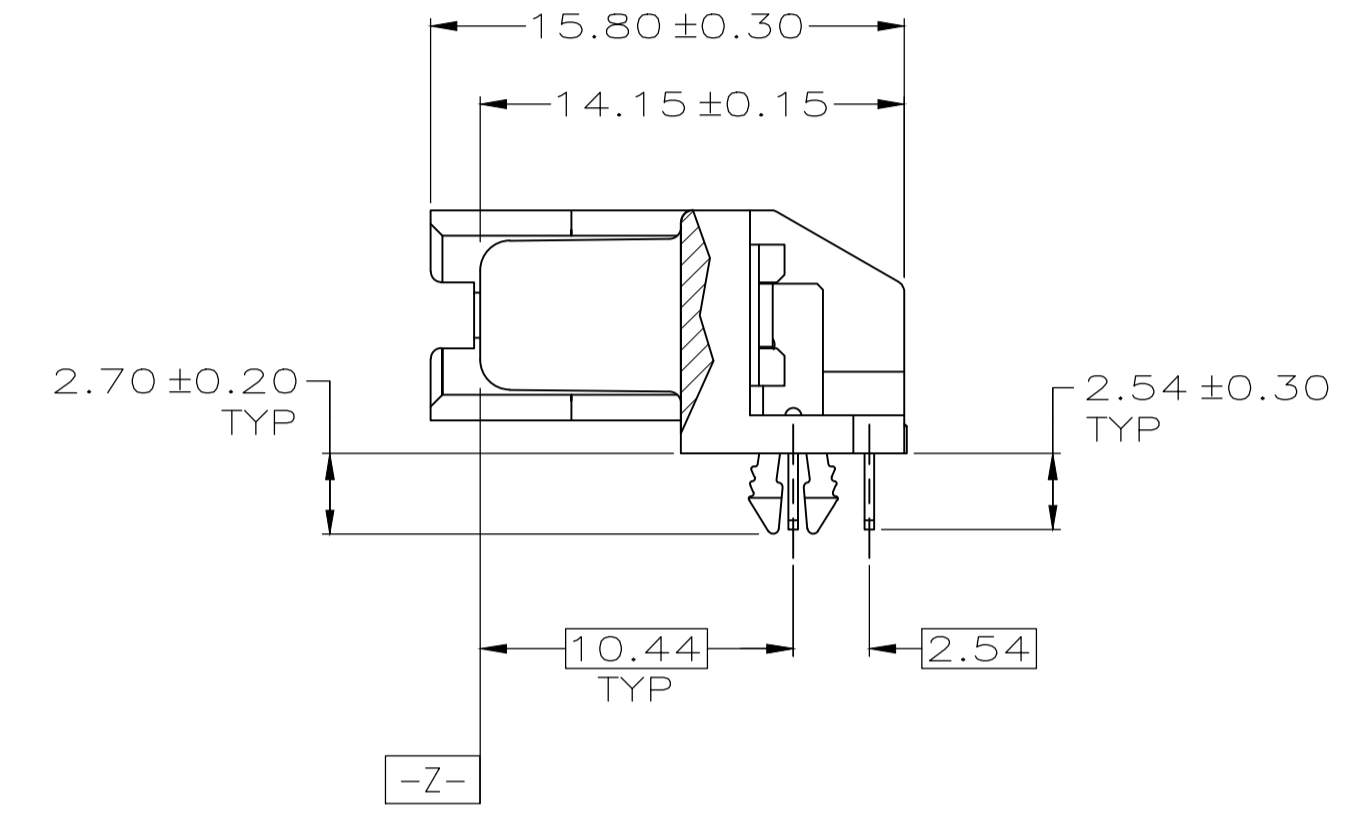


REVISIONS				
#	DATE	DESCRIPTION	DATE	APPROVED
H	16APR13	REVISED PER ECO-19-004724		SH SH



RECOMMENDED PC BOARD MOUNTING DIMENSIONS COMPONENT SIDE

- △ HOUSING: LCP, UL 94V-0 RATED, BLACK.  
TINE PLATE: SPS, UL 94V-0 RATED, BLACK.  
TERMINALS: PHOSPHOR BRONZE.  
RETENTION LEGS: BRASS.
- △ TERMINALS: 0.38μm MIN GOLD FOR A LENGTH 1.20 MIN STARTING 0.50 MAX FROM MATING END, 3.81μm MIN TIN-LEAD FOR A LENGTH OF 3.40 MIN FROM OPPOSITE END, BOTH OVER 1.27μm MIN NICKEL.  
RETENTION LEGS: 3.81μm MIN TIN-LEAD OVER 1.27μm MIN NICKEL.
- △ CONNECTOR WILL ACCOMMODATE MATING PRINTED CIRCUIT BOARD OF 1.60±0.07.
- △ TERMINALS: 0.38μm MIN GOLD FOR A LENGTH 1.20 MIN STARTING 0.50 MAX FROM MATING END, 3.81μm MIN TIN FOR A LENGTH OF 3.40 MIN FROM OPPOSITE END, BOTH OVER 1.27μm MIN NICKEL.  
RETENTION LEGS: 3.81μm MIN TIN OVER 1.27μm MIN NICKEL.



SECTION B-B  
SCALE 10:1

OBsolete	YES	△ 4	80	787915-2
OBsolete	NO	△ 2	80	787915-1
LEAD FREE	FINISH	NO OF POSN	PART NUMBER	

THIS DRAWING IS A CONTROLLED DOCUMENT.		DWN S. MCMASTER 29MAR04	TE Connectivity	
DIMENSIONS: mm		CHK S. SHUJY 29MAR04	RECEPTACLE ASSY, R/A,BTB .050, SERIES I, CHAMP BLINDMATE	
TOLERANCES UNLESS OTHERWISE SPECIFIED:		APPR M. WALMSLEY 29MAR04	108-1548-2	
0 PLC	±	SIZE CAGE CODE DRAWING NO RESTRICTED TO		
1 PLC	±	A1 00779 C-787915		
2 PLC	± 0.10	SCALE 4:1 SHEET 1 OF 1 REV H		
3 PLC	±	CUSTOMER DRAWING		
4 PLC	±			
ANGLES	±			
MATERIAL	FINISH			
△	SEE TABLE			

## X-ON Electronics

Largest Supplier of Electrical and Electronic Components

*Click to view similar products for [I/O Connectors](#) category:*

*Click to view products by [TE Connectivity](#) manufacturer:*

Other Similar products are found below :

[571763P](#) [58098-0628](#) [D20419-211](#) [D38999/20FJ24PA L/C](#) [D38999/20FJ29SB L/C](#) [D38999/24FG11SN L/C](#) [72.250.1628.2](#) [72.250.2428.2](#)  
[74720-0505](#) [76.350.0729.0](#) [76871-1403](#) [FCN-244F080-G/1](#) [FCN-260A9920](#) [FCN-268D024-G/2F#10X-R10](#) [PCS-E50FA](#) [PCS-XE26LKA](#)  
[PCS-XE26MA+](#) [PCS-XES68MS+](#) [G38A71314B](#) [DX40-50P\(55\)](#) [1571250010](#) [157-22500-3](#) [MS3471L14-19P L/C](#) [1888020-8](#) [91-569786-](#)  
[35H](#) [91-569786-35M](#) [91-644626-35P](#) [SM3100F14S-58S](#) [172501-4002](#) [172501-6002](#) [FCN-260C008-A/L0](#) [FCN-260C024-AL0](#) [FCN-](#)  
[261Z008](#) [FCN-268D008-G/1K](#) [2000314-1](#) [200331-1](#) [2007498-2](#) [PCR-E28LMDAG1+](#) [PCR-E36FC+](#) [PCS-E28FS+](#) [PCS-XE26SLFD+](#) [PCS-](#)  
[XE26SLFDT+](#) [G38A71214B](#) [HDRA-E68W1LFDTC-SL+](#) [HDR-E14MSG1+](#) [R88A-CNK81S](#) [CRT1-ATT02](#) [54182-0605](#) [U90B2054081210](#)  
[UE86K842720321](#)