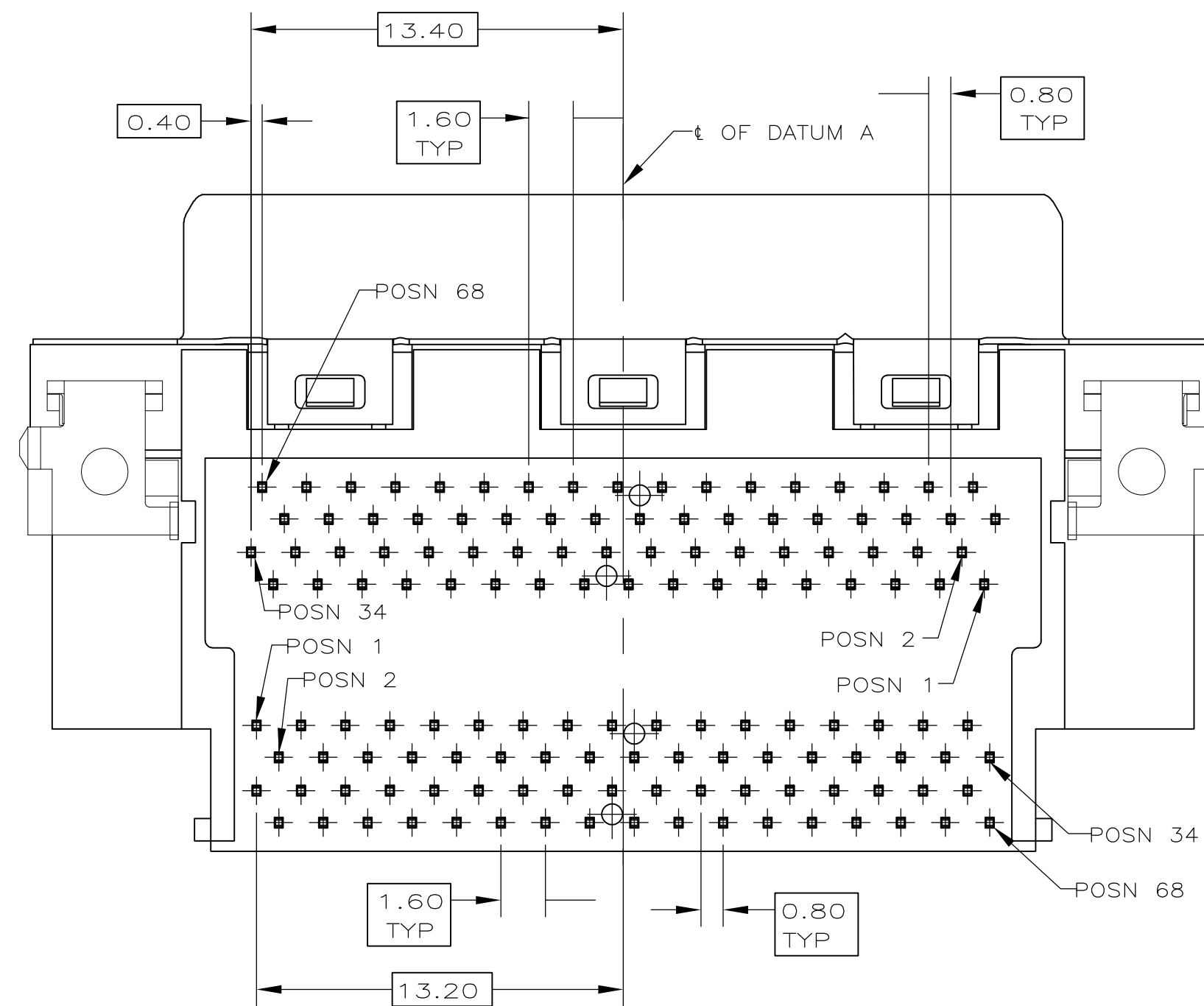
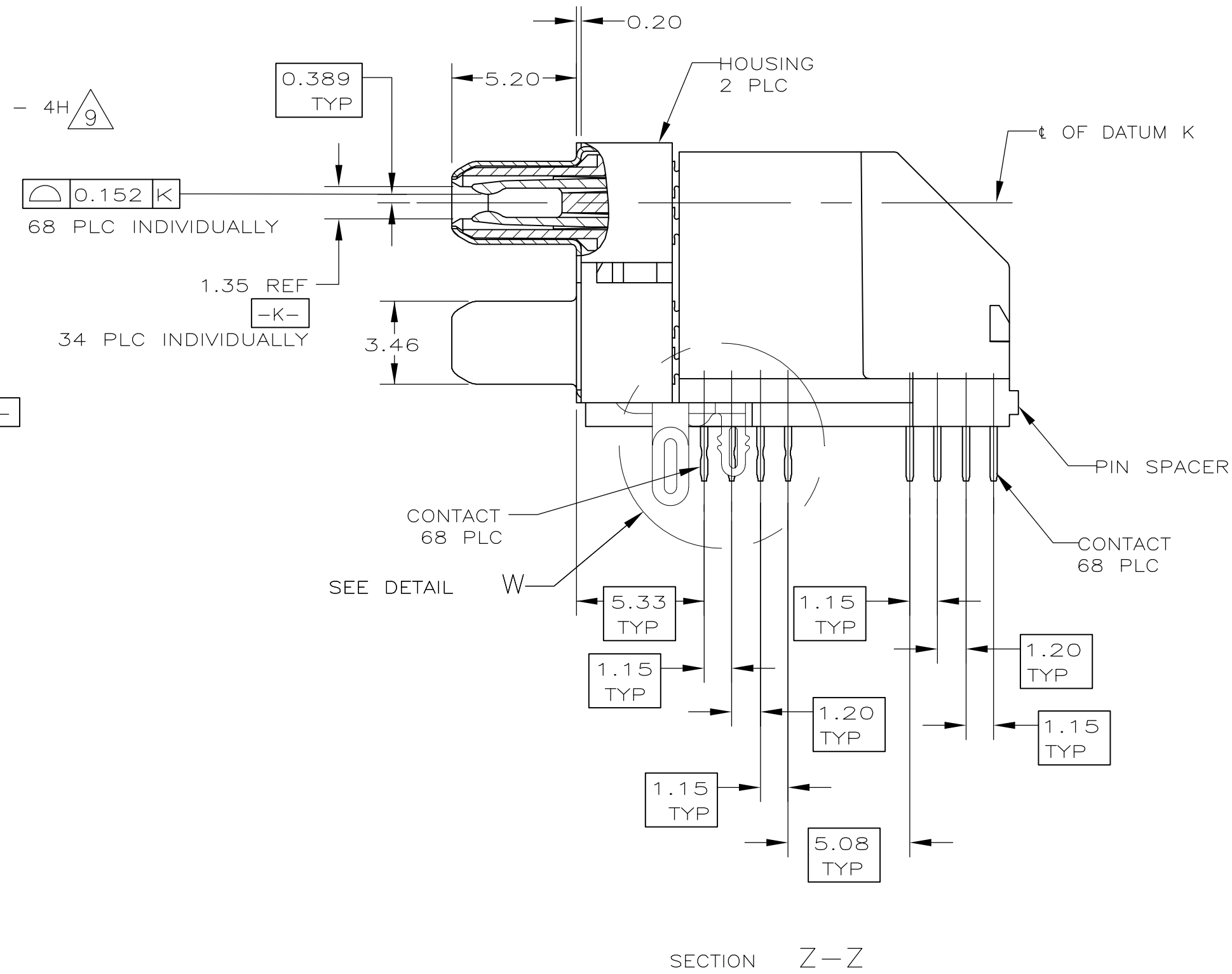
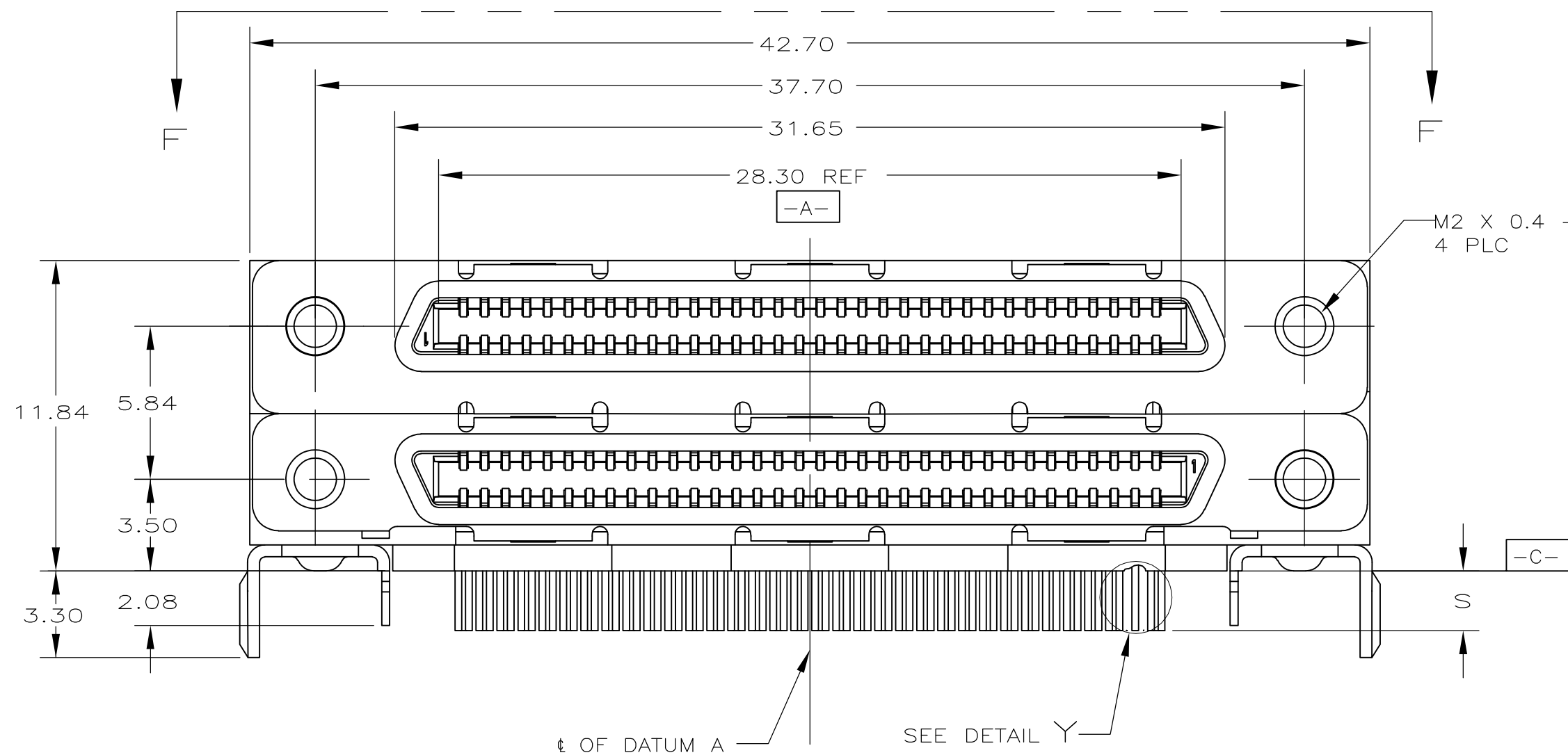


THIS DRAWING IS UNPUBLISHED. RELEASED FOR PUBLICATION  
 © COPYRIGHT BY TYCO ELECTRONICS CORPORATION. ALL INTERNATIONAL RIGHTS RESERVED.

LOC		DIST		REVISIONS			
P	LTR	DESCRIPTION	DATE	DWN	APVD		
GP	00						
	T	REVISED PER ECO-09-001695	7FEB2009	ZMREDB			

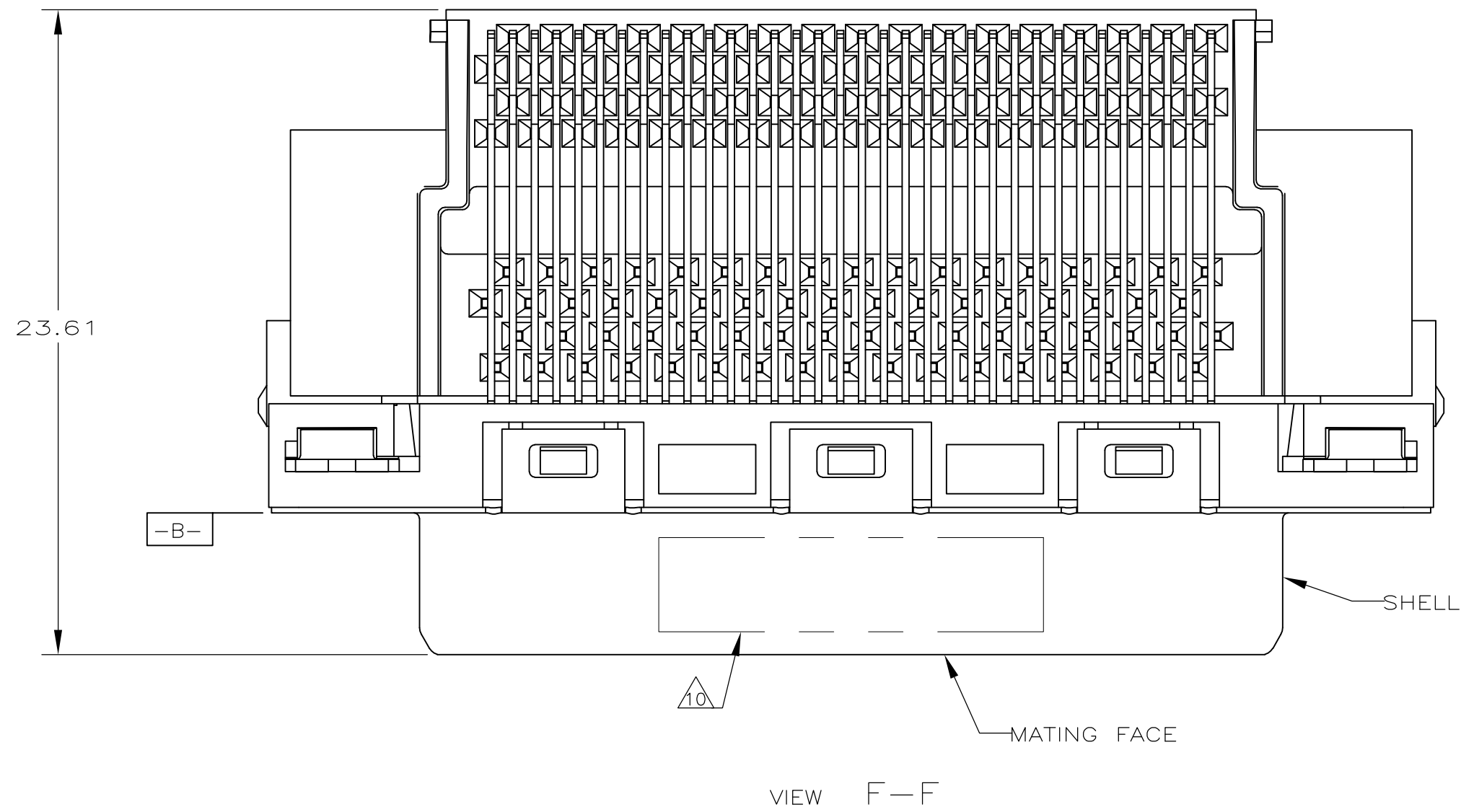


8	3.55	787962-2
3	2.27	787962-1
REMARKS	S	PART NUMBER

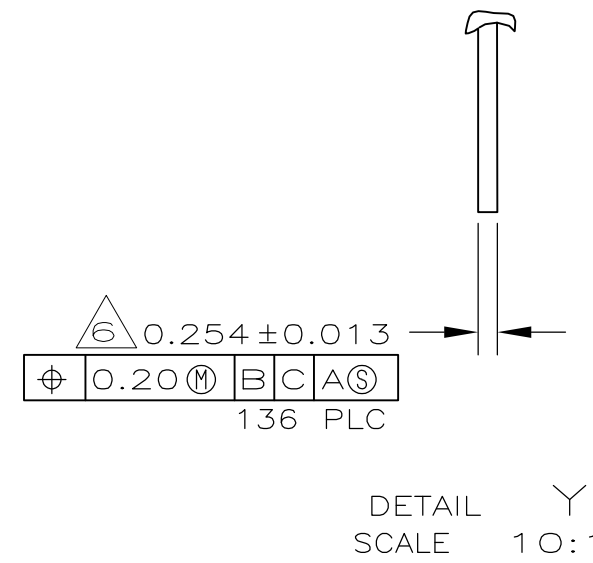
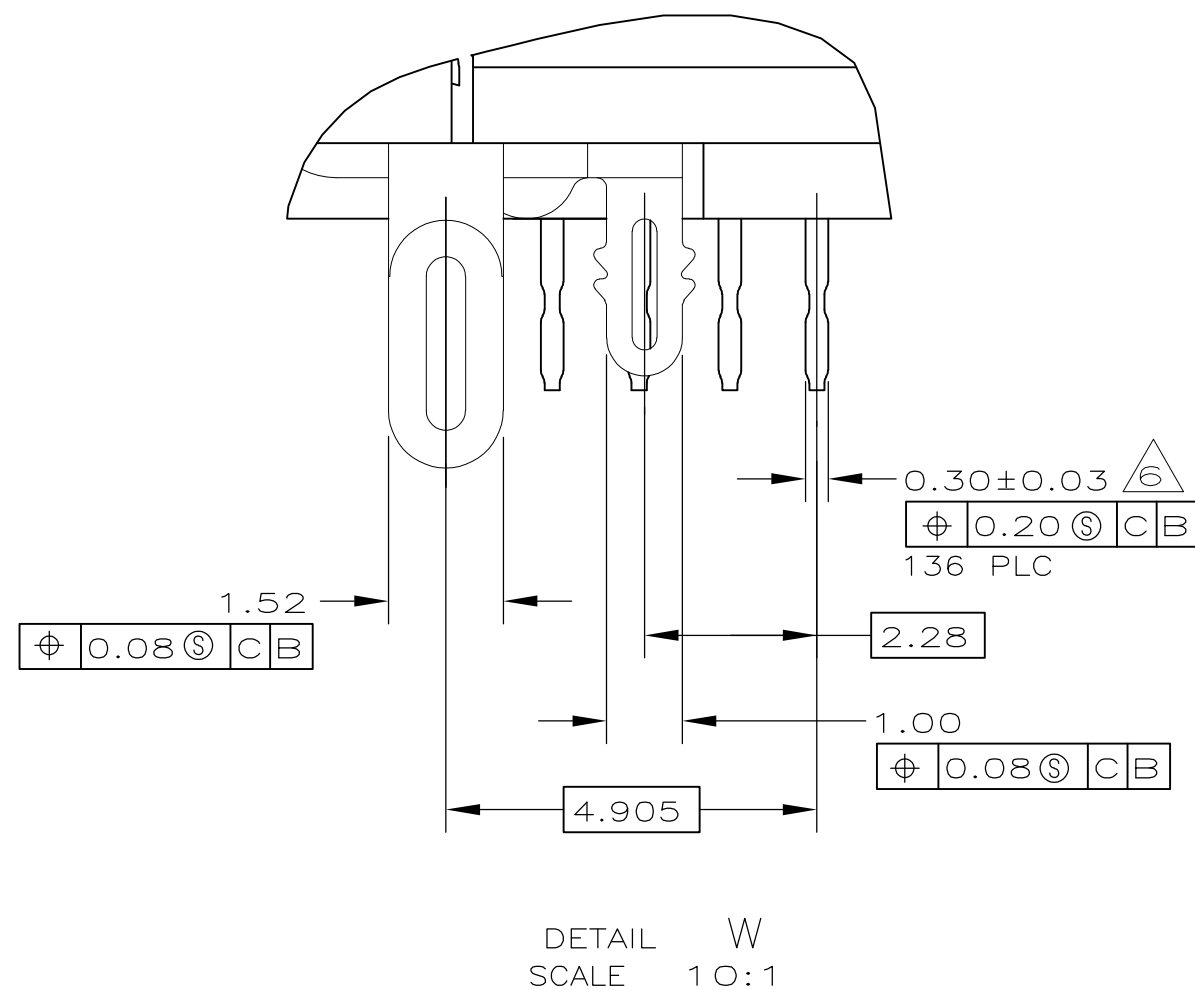
THIS DRAWING IS A CONTROLLED DOCUMENT.		DWN T.SHUEY 09MAR05	Tyco Electronics Corporation Harrisburg, PA 17105-3608	
DIMENSIONS: mm		CHK J.GERACE 09MAR05	NAME	
TOLERANCES UNLESS OTHERWISE SPECIFIED:		APVD M.WALMSLEY 09MAR05	RECEPTACLE ASSEMBLY, 68 POSITION, STACKED, RIGHT ANGLE, CHAMP 0.8mm	
0 PLC ± -		PRODUCT SPEC	SIZE A2	CAGE CODE 00779
1 PLC ± -		APPLICATION SPEC	DRAWING NO C=787962	RESTRICTED TO
2 PLC ± 0.13			SCALE 5:1	SHEET 1 of 3
3 PLC ± -		WEIGHT -	REV T	
4 PLC ± -				
ANGLES ± 1'				
FINISH				
MATERIAL 1		CUSTOMER DRAWING		

THIS DRAWING IS UNPUBLISHED. RELEASED FOR PUBLICATION  
 © COPYRIGHT BY TYCO ELECTRONICS CORPORATION. ALL INTERNATIONAL RIGHTS RESERVED.

LOC	DIST	REVISIONS			
P	LTR	DESCRIPTION	DATE	DWN	APVD
GP	00	SEE SHEET 1	-	-	-



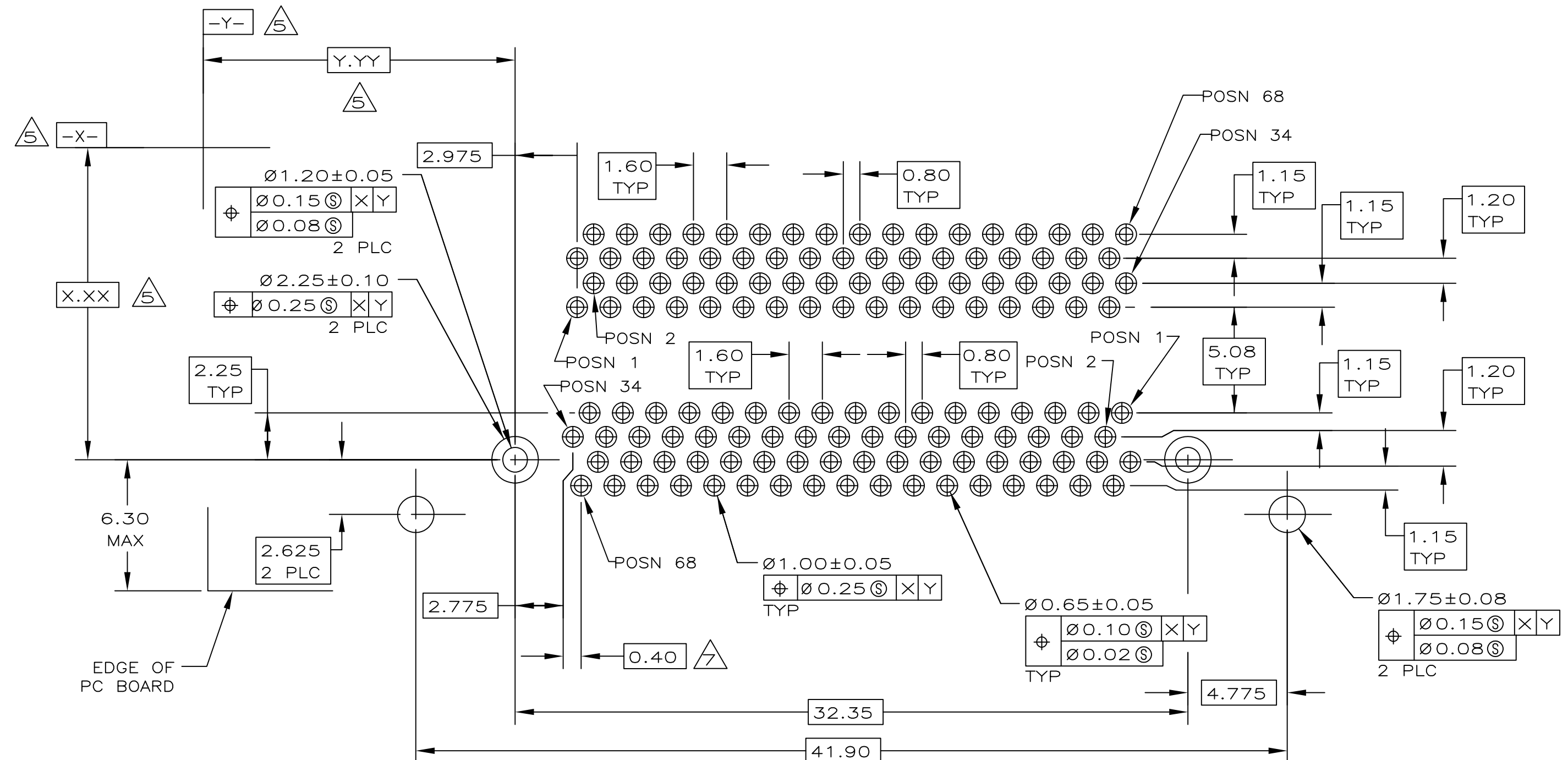
- 1 MOLDED PARTS: THERMOPLASTIC, BLACK, UL 94V-0 RATED.  
SHELL: CARBON STEEL.  
CONTACTS: PHOSPHOR BRONZE.  
BRACKETS: STEEL.
- 2 SHELL: 5.08µm MIN NICKEL OVER 2.54µm MIN COPPER.  
CONTACTS: 0.76µm MIN GOLD ON MATING END, 3.75µm MIN TIN-LEAD ON  
SOLDER TAILS, BOTH OVER 1.27µm MIN NICKEL OVER ENTIRE CONTACT.  
BRACKETS: TIN PLATED.
- 3 CONTACTS DESIGNED FOR USE ON 1.60±0.15 THICK PC BOARD WITH  
PLATED THRU MOUNTING HOLES.
- 4 RECEPTACLE ASSEMBLY DESIGNED FOR USE WITH 1.12±0.08 THICK PANEL.
- 5 DATUMS AND DIMENSIONS ESTABLISHED BY CUSTOMER.
- 6 POSITION TOLERANCE APPLIES AT CONTACT TIP ONLY.
- 7 OFFSET DIMENSION APPLIES TO LOWER FOOTPRINT ONLY.
- 8 CONTACTS DESIGNED FOR USE ON 2.35±0.15 THICK PC BOARD WITH  
PLATED THRU MOUNTING HOLES.
- 9 MAXIMUM TORQUE 0.45 N-M.
- 10 DATE CODE MARKED IN APPROXIMATE AREA SHOWN.



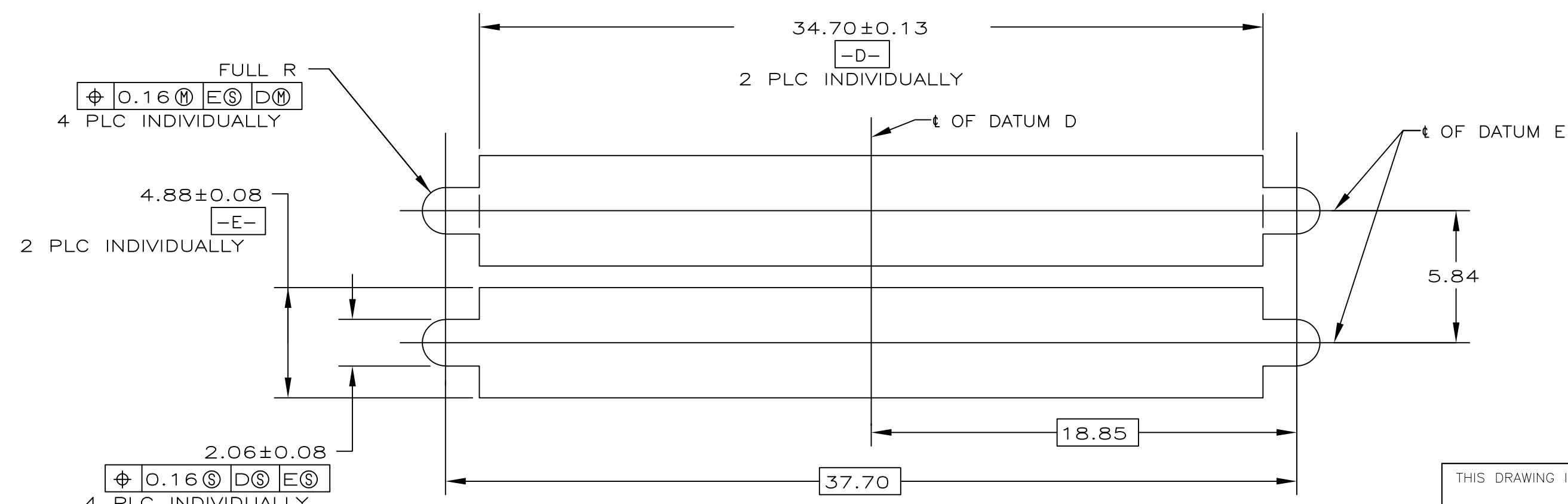
THIS DRAWING IS A CONTROLLED DOCUMENT.		DWN T.SHUEY 09MAR05	Tyco Electronics Corporation Harrisburg, PA 17105-3608																			
DIMENSIONS: mm		CHK J.GERACE 09MAR05																				
TOLERANCES UNLESS OTHERWISE SPECIFIED:		APVD M.WALMSLEY 09MAR05	NAME RECEPTACLE ASSEMBLY, 68 POSITION, STACKED, RIGHT ANGLE, CHAMP 0.8mm																			
<table border="1"> <tr><td>0 PLC</td><td>±</td><td>-</td></tr> <tr><td>1 PLC</td><td>±</td><td>-</td></tr> <tr><td>2 PLC</td><td>±</td><td>0.13</td></tr> <tr><td>3 PLC</td><td>±</td><td>-</td></tr> <tr><td>4 PLC</td><td>±</td><td>-</td></tr> <tr><td>ANGLES</td><td>±</td><td>1°</td></tr> </table>		0 PLC	±	-	1 PLC	±	-	2 PLC	±	0.13	3 PLC	±	-	4 PLC	±	-	ANGLES	±	1°	PRODUCT SPEC -	SIZE A2	CAGE CODE 00779
0 PLC	±	-																				
1 PLC	±	-																				
2 PLC	±	0.13																				
3 PLC	±	-																				
4 PLC	±	-																				
ANGLES	±	1°																				
MATERIAL -		FINISH -	WEIGHT -	DRAWING NO C=787962																		
CUSTOMER DRAWING			SCALE 5:1	SHEET 2 OF 3																		
			REV T	RESTRICTED TO -																		

THIS DRAWING IS UNPUBLISHED. RELEASED FOR PUBLICATION  
 © COPYRIGHT BY TYCO ELECTRONICS CORPORATION. ALL INTERNATIONAL RIGHTS RESERVED.

LOC		DIST		REVISIONS			
GP	00	P	LTR	DESCRIPTION	DATE	DWN	APVD
		-	-	SEE SHEET 1	-	-	-



PC BOARD MOUNTING DIMENSIONS  $\Delta$   
 SCALE 5:1



PANEL CUT-OUT DIMENSIONS  $\Delta$   
 SCALE 5:1

THIS DRAWING IS A CONTROLLED DOCUMENT.		DWN	T. SHUEY	09MAR05	 Tyco Electronics Corporation Harrisburg, PA 17105-3608
DIMENSIONS:		CHK	J. GERACE	09MAR05	
TOLERANCES UNLESS OTHERWISE SPECIFIED:		APVD	M. WALMSLEY	09MAR05	NAME
0 PLC ± - 1 PLC ± - 2 PLC ± 0.13 3 PLC ± - 4 PLC ± - ANGLES ± 1° FINISH -		PRODUCT SPEC		RECEPTACLE ASSEMBLY, 68 POSITION, STACKED, RIGHT ANGLE, CHAMP 0.8mm	
MATERIAL		APPLICATION SPEC		SIZE	
		WEIGHT		CAGE CODE	
		CUSTOMER DRAWING		DRAWING NO	
		SCALE		RESTRICTED TO	
		SHEET		-	
		REV		-	

## X-ON Electronics

Largest Supplier of Electrical and Electronic Components

*Click to view similar products for [I/O Connectors](#) category:*

*Click to view products by [TE Connectivity](#) manufacturer:*

Other Similar products are found below :

[571763P](#) [58098-0628](#) [D20419-211](#) [D38999/20FJ24PA L/C](#) [D38999/20FJ29SB L/C](#) [D38999/24FG11SN L/C](#) [72.250.1628.2](#) [72.250.2428.2](#)  
[74720-0505](#) [76.350.0729.0](#) [76871-1403](#) [FCN-244F080-G/1](#) [FCN-260A9920](#) [FCN-268D024-G/2F#10X-R10](#) [PCS-E50FA](#) [PCS-XE26LKA](#)  
[PCS-XE26MA+](#) [PCS-XES68MS+](#) [G38A71314B](#) [DX40-50P\(55\)](#) [1571250010](#) [157-22500-3](#) [MS3471L14-19P L/C](#) [1888020-8](#) [91-569786-](#)  
[35H](#) [91-569786-35M](#) [91-644626-35P](#) [SM3100F14S-58S](#) [172501-4002](#) [172501-6002](#) [FCN-260C008-A/L0](#) [FCN-260C024-AL0](#) [FCN-](#)  
[261Z008](#) [FCN-268D008-G/1K](#) [2000314-1](#) [200331-1](#) [2007498-2](#) [PCR-E28LMDAG1+](#) [PCR-E36FC+](#) [PCS-E28FS+](#) [PCS-XE26SLFD+](#) [PCS-](#)  
[XE26SLFDT+](#) [G38A71214B](#) [HDRA-E68W1LFDTC-SL+](#) [HDR-E14MSG1+](#) [R88A-CNK81S](#) [CRT1-ATT02](#) [54182-0605](#) [U90B2054081210](#)  
[UE86K842720321](#)