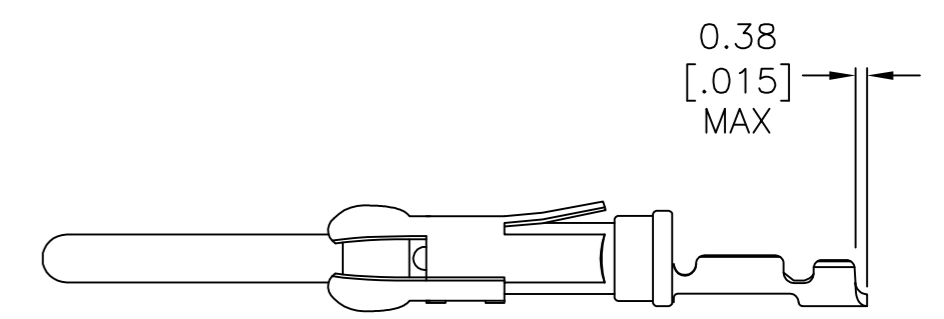
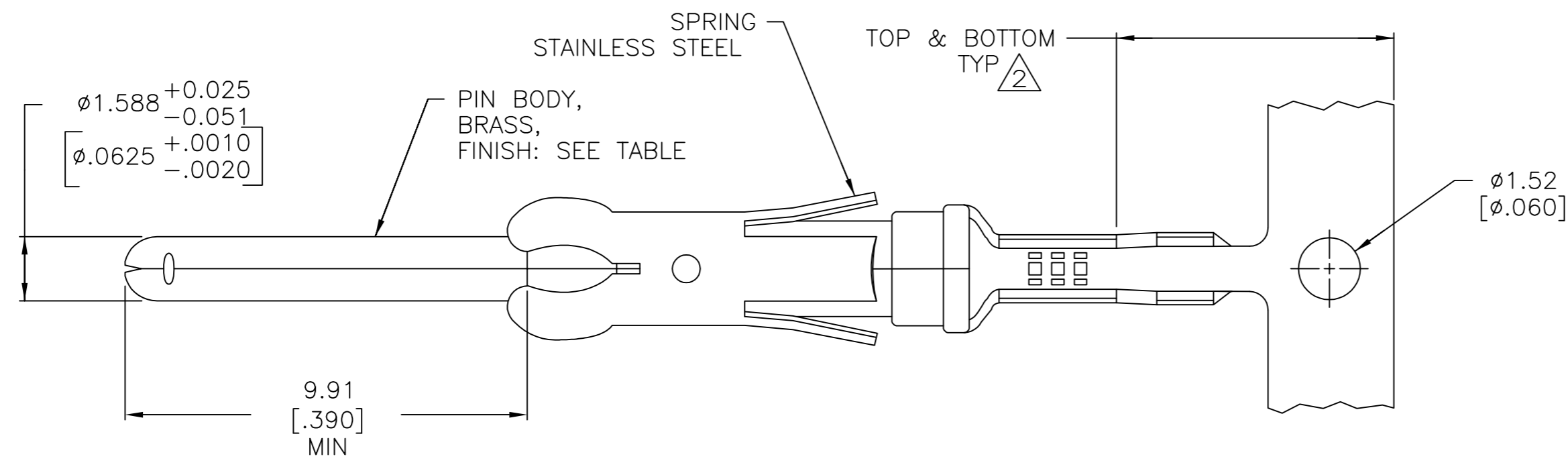
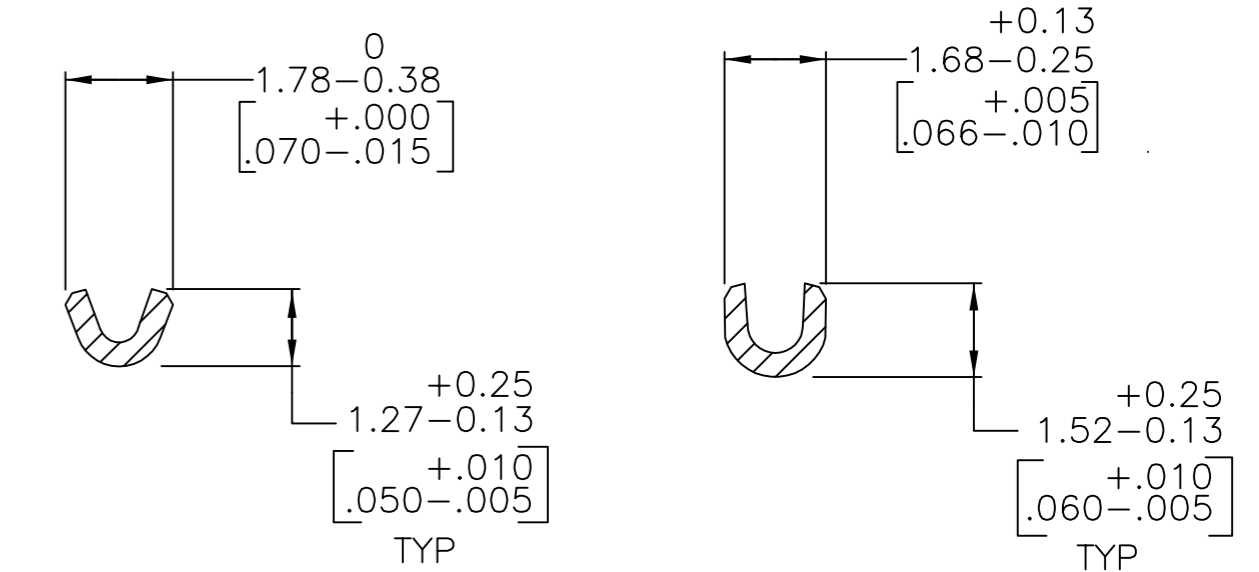
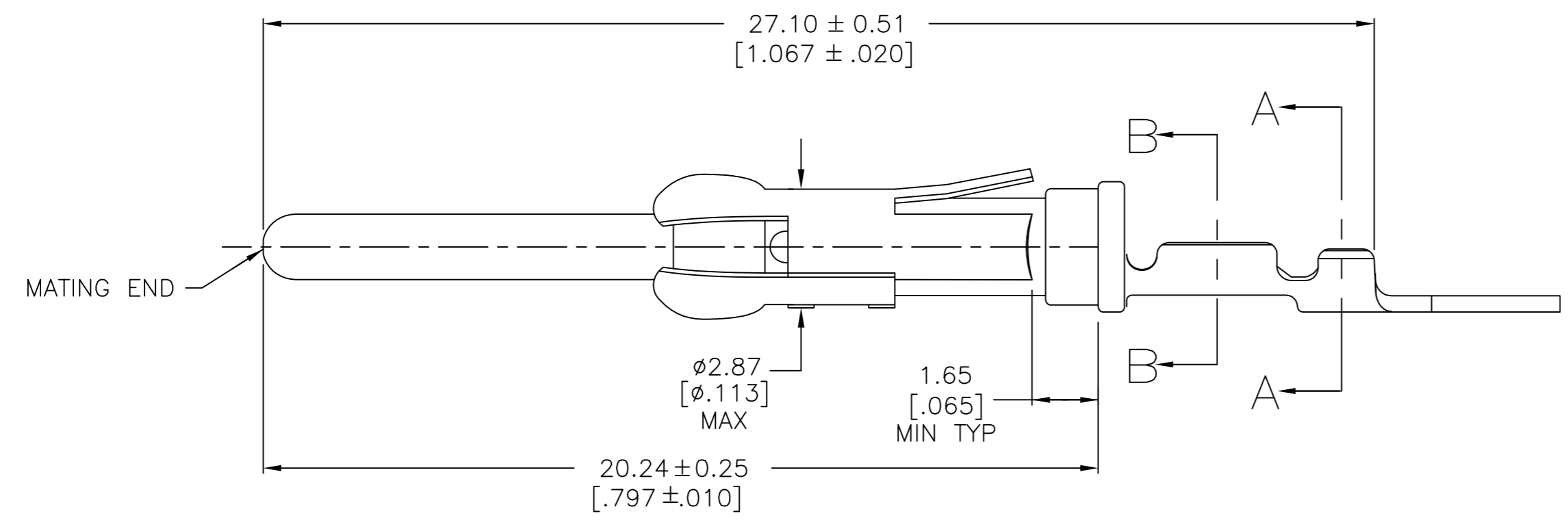


THIS DRAWING IS UNPUBLISHED. RELEASED FOR PUBLICATION
 © COPYRIGHT - By - ALL RIGHTS RESERVED.

REVISIONS					
P	LTR	DESCRIPTION	DATE	DWN	APVD
E1		REVISED PER ECO-16-004223	20JUL2016	NK	MZ
F		REVISED PER ECO-16-017885	06OCT2017	RS	MZ



DETAIL C
 SCALE 4:1



SECTION B-B SECTION A-A

- $\triangle 1$ 0.76 μm [.000030] MIN PRECIOUS METAL PLATE ON MATING END FOR A LENGTH OF 5.08 [.200] MIN WITH 1.27 μm [.000050] MIN MATTE TIN PLATE IN WIRE CRIMP AREA, BOTH OVER 1.27 μm [.000050] MIN NICKEL PLATE. CONFORMS TO THE REQUIREMENTS OF TE CONNECTIVITY PRODUCT SPEC 108-10042, BASED ON EIA/ECA-364-1000.01A (CONTROLLED ENVIRONMENT APPLICATIONS).
- $\triangle 2$ GOLD PLATING NEED NOT APPEAR IN THIS AREA.
- 3 REELED FOR MINI-APPLICATOR.
- 4 WIRE RANGE 28-30 AWG. INSULATION RANGE $\phi 3.81[\phi 0.15]$ - $\phi 7.62[\phi 0.30]$.
- $\triangle 5$ 0.76 μm [.000030] MIN PRECIOUS METAL PLATE ON MATING END FOR A LENGTH OF 5.08 [.200] MIN WITH A UNIFORM GRADIENT TO 0.25 μm [.000010] ON REMAINDER, OVER 1.27 μm [.000050] MIN NICKEL PLATE. GOLD FLASH ALL OVER. CONFORMS TO THE REQUIREMENTS OF TYCO ELECTRONICS PRODUCT SPEC 108-10042, BASED ON EIA/ECA-364-1000.01A (CONTROLLED ENVIRONMENT APPLICATIONS).
- $\triangle 6$ 0.38 μm [.000015] MIN GOLD PER MIL-G-45204 ON MATING END FOR A LENGTH OF 5.08 [.200] MIN WITH 1.27 μm [.000050] MIN MATTE TIN PLATE IN WIRE CRIMP AREA, BOTH OVER 1.27 μm [.000050] MIN NICKEL PER QQ-N-290.

OBSOLETE	PER DETAIL C	$\triangle 1$	788085-4
	-	$\triangle 6$	788085-3
OBSOLETE	-	$\triangle 5$	788085-2
	-	$\triangle 1$	788085-1
LOOSE PIECE		FINISH	PART NUMBER

THIS DRAWING IS A CONTROLLED DOCUMENT.

DIMENSIONS: mm [INCHES]	TOLERANCES UNLESS OTHERWISE SPECIFIED:	DWN C. OBERMAN 21 NOV 96	TE Connectivity	
ϕ	0 PLC \pm - 1 PLC \pm - 2 PLC \pm 0.13 [.005] 3 PLC \pm - 4 PLC \pm - ANGLES \pm -	CHK R. STONE 22 NOV 96	NAME G. STEINHAUER	
MATERIAL SEE CALLOUTS	FINISH SEE CALLOUTS	APVD G. STEINHAUER 22 NOV 96	PRODUCT SPEC 108-10042	
			APPLICATION SPEC 114-10004	
		WEIGHT -	SIZE A2	CAGE CODE 00779
		CUSTOMER DRAWING	DRAWING NO C=788085	RESTRICTED TO -
			SCALE 4:1	SHEET 1 of 1
				REV F

X-ON Electronics

Largest Supplier of Electrical and Electronic Components

Click to view similar products for [Pin & Socket Connectors](#) category:

Click to view products by [TE Connectivity](#) manufacturer:

Other Similar products are found below :

[6450822-1](#) [770392-1](#) [794042-1](#) [796885-1](#) [8-794535-1](#) [881459-2](#) [R929993003](#) [1-350779-3](#) [1403611-1](#) [1-480349-5](#) [1586092-1](#) [1586129-1](#)
[1586487-1](#) [1586681-4](#) [1586700-1](#) [1586065-1](#) [1586077-1](#) [1586368-1](#) [1586380-1](#) [1586680-5](#) [1586681-2](#) [1604996-1](#) [16-06-0038](#) [164164-5](#) [1-](#)
[6609930-1](#) [172296-1](#) [1-794714-6](#) [19-09-2035](#) [1969804-1](#) [200503-1](#) [200788-2](#) [201046-7](#) [202648-4](#) [2029076-2](#) [2029090-4](#) [2029095-4](#) [2-](#)
[66102-6](#) [925061-7](#) [926681-1](#) [293734-4](#) [293737-2](#) [1-765362-4](#) [1-794606-3](#) [1871534-1](#) [1969795-1](#) [1969798-1](#) [1969800-1](#) [200833-4](#)
[2008625-2](#) [2029027-2](#)