

4

3

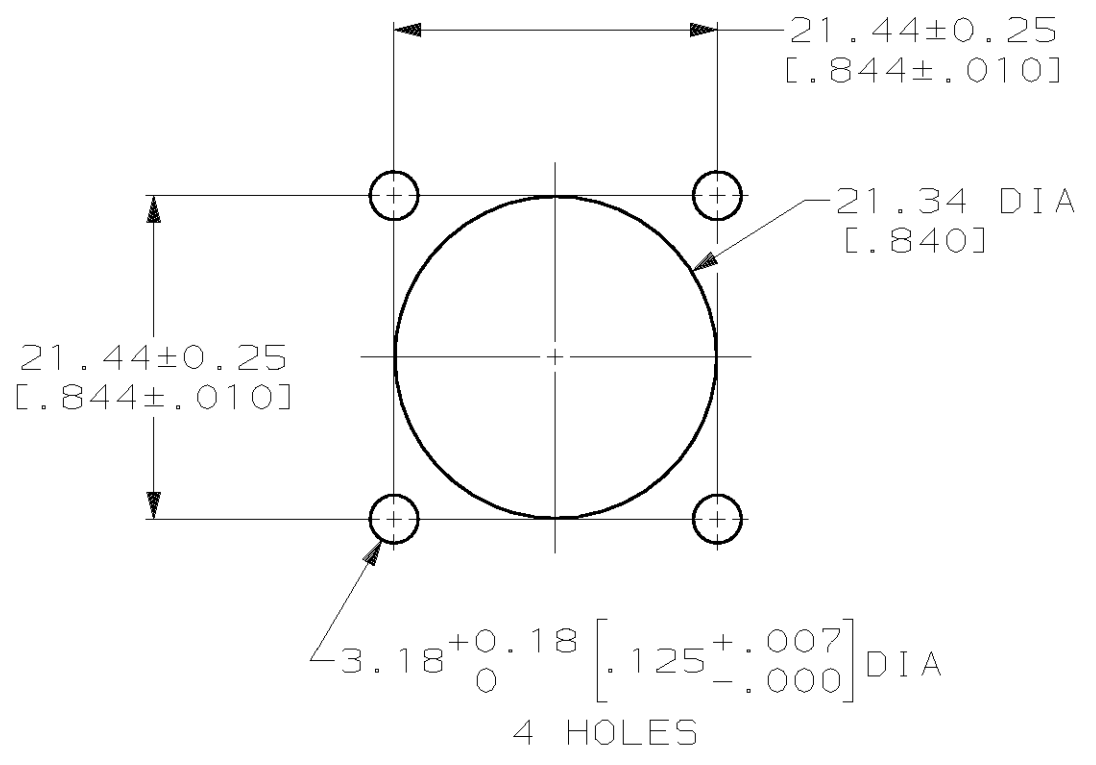
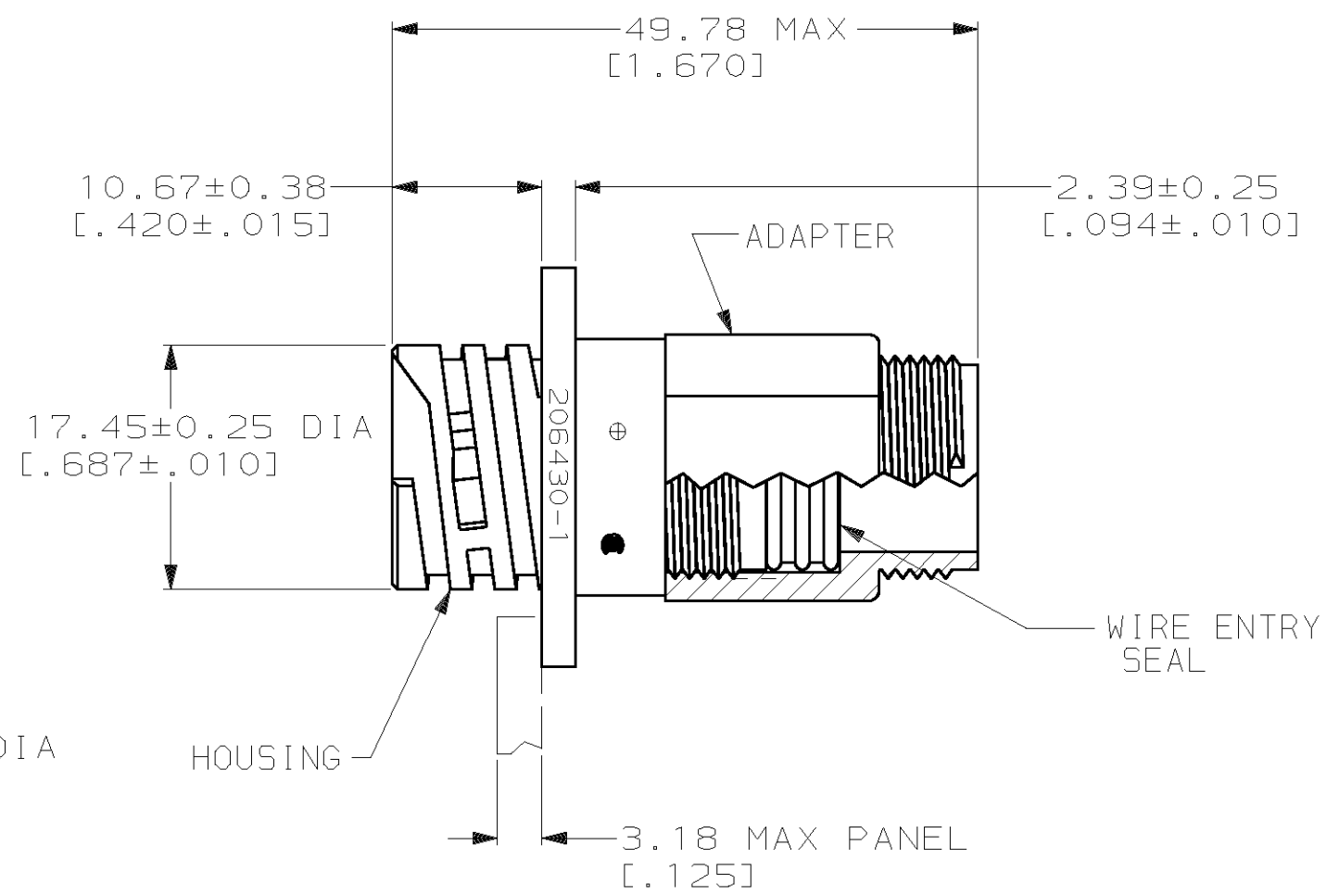
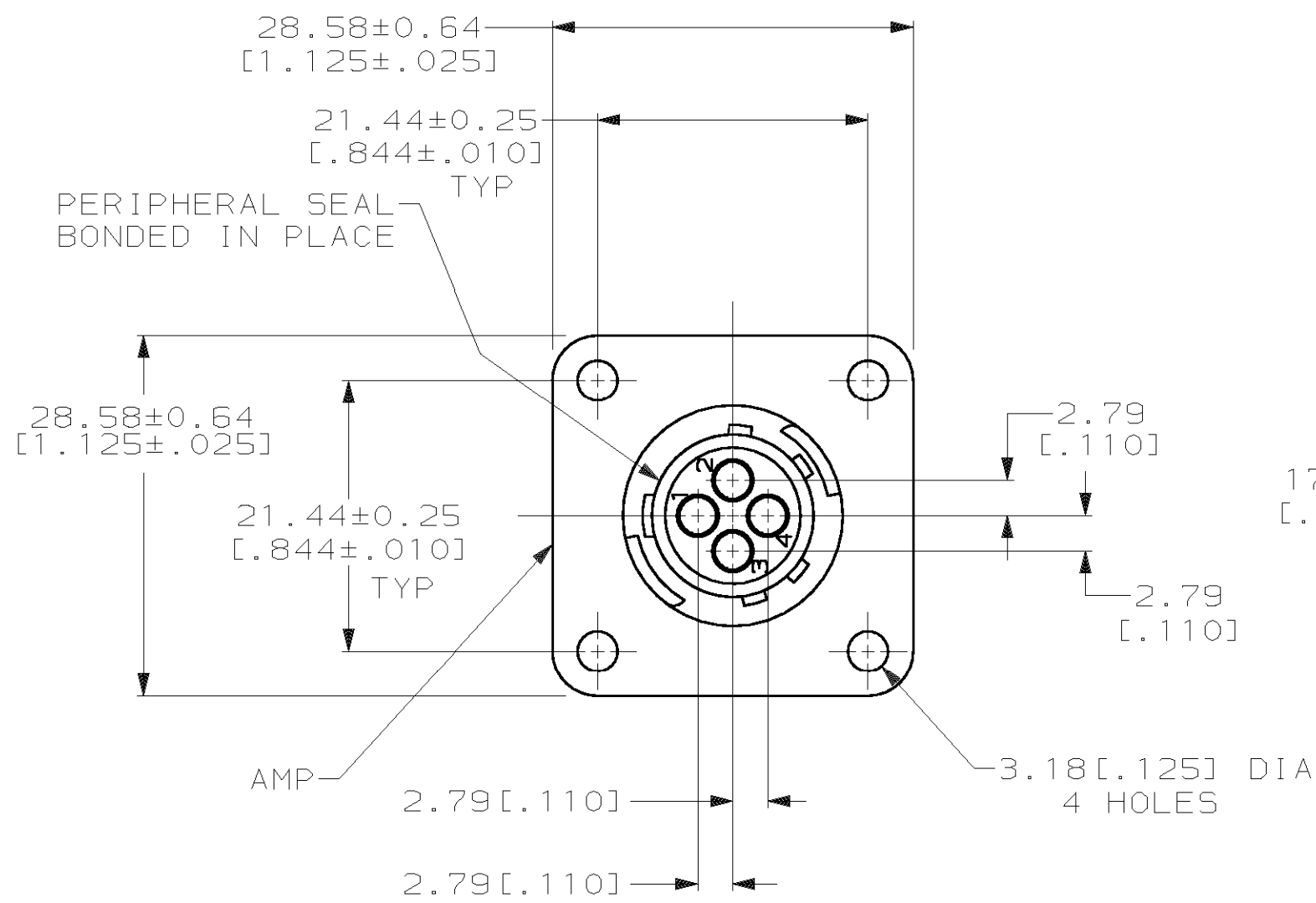
2

1

THIS DRAWING IS UNPUBLISHED. RELEASED FOR PUBLICATION, 19 .

© COPYRIGHT 19 BY AMP INCORPORATED. ALL RIGHTS RESERVED.

LOC	DIST	REVISIONS			
P	LTR	DESCRIPTION	DATE	DWN	APVD
FT	0				
		0	RELEASED -2 PER NPR 5730	22 OCT 99	DH KD



- 1 HOUSING & ADAPTER: NYLON 6/6, BLACK. WIRE ENTRY SEAL: ELASTOMER, RED.
- 2. THIS CONNECTOR WILL ACCEPT FOUR (4) MULTIMATE SOCKET CONTACTS.

788154-2

PART NUMBER

THIS DRAWING IS A CONTROLLED DOCUMENT.		DWN P. BENNINGHOVE 01 OCT 97	<b>AMP</b> AMP Incorporated Harrisburg, PA 17105-3608	
		CHK K. DOWHOWER 28 OCT 99		
DIMENSIONS: mm [INCHES]		APVD K. DOWHOWER 28 OCT 99	NAME RECEPTACLE ASSEMBLY, 11-4, REVERSE SEX, SERIES I, SEALED, CPC	
TOLERANCES UNLESS OTHERWISE SPECIFIED:		PRODUCT SPEC 108-1579	SIZE CAGE CODE DRAWING NO RESTRICTED TO	
0 PLC ±-		APPLICATION SPEC 114-10038	A3 00779 C- 788154	
1 PLC ±-		WEIGHT -	SCALE 2:1 SHEET 1 OF 1 REV 0	
2 PLC ±0.13 [.005]		CUSTOMER DRAWING		
3 PLC ±-				
4 PLC ±-				
ANGLES ±-				
MATERIAL				
FINISH -				

RECOMMENDED PANEL CUTOUT

## X-ON Electronics

Largest Supplier of Electrical and Electronic Components

*Click to view similar products for [Standard Circular Connector](#) category:*

*Click to view products by [TE Connectivity](#) manufacturer:*

Other Similar products are found below :

[5M2530B10P](#) [600259N006](#) [600273N007](#) [6134-336-13149](#) [6134-337-11149](#) [6134-337-2390](#) [6134-341-17149](#) [6280-4SG-516](#) [6280-7SG-3DC](#)  
[6290](#) [6291A](#) [66200A-10](#) [680-SMG](#) [681-PMG](#) [CXS3102A14S2P](#) [CXS3102A181S](#) [7251-5SG-300](#) [7271-6SG-300](#) [7282-3PG-300-CH3](#) [75-](#)  
[474618-01S](#) [75-474618-04P](#) [75-474618-04S](#) [799539-000](#) [MI8-SE](#) [805-005-07NF11-19PC](#) [805-005-07NF15-7PA](#) [8280-4PG-516](#) [8280-7PG-](#)  
[519](#) [8282-5PG-519](#) [836783-1](#) [MP-4102-25P-C](#) [862256-1](#) [864019-2](#) [866857-1](#) [867865-1](#) [PT01SP-14-18P](#) [PT08P-14-5S](#) [PTSF06SE-14-12S](#)  
[120-1833-000](#) [QCM019PC2DC012B](#) [1-2069279-1](#) [121583-0217](#) [121667-0020](#) [129591AU](#) [1000B BULK](#) [RD10A16-19-P6CS051/1](#)  
[RD10A20-31-P8CS051/1](#) [RD16A14-12-S6CS051/2](#) [1301240290](#) [1301240347](#) [1301860202](#)