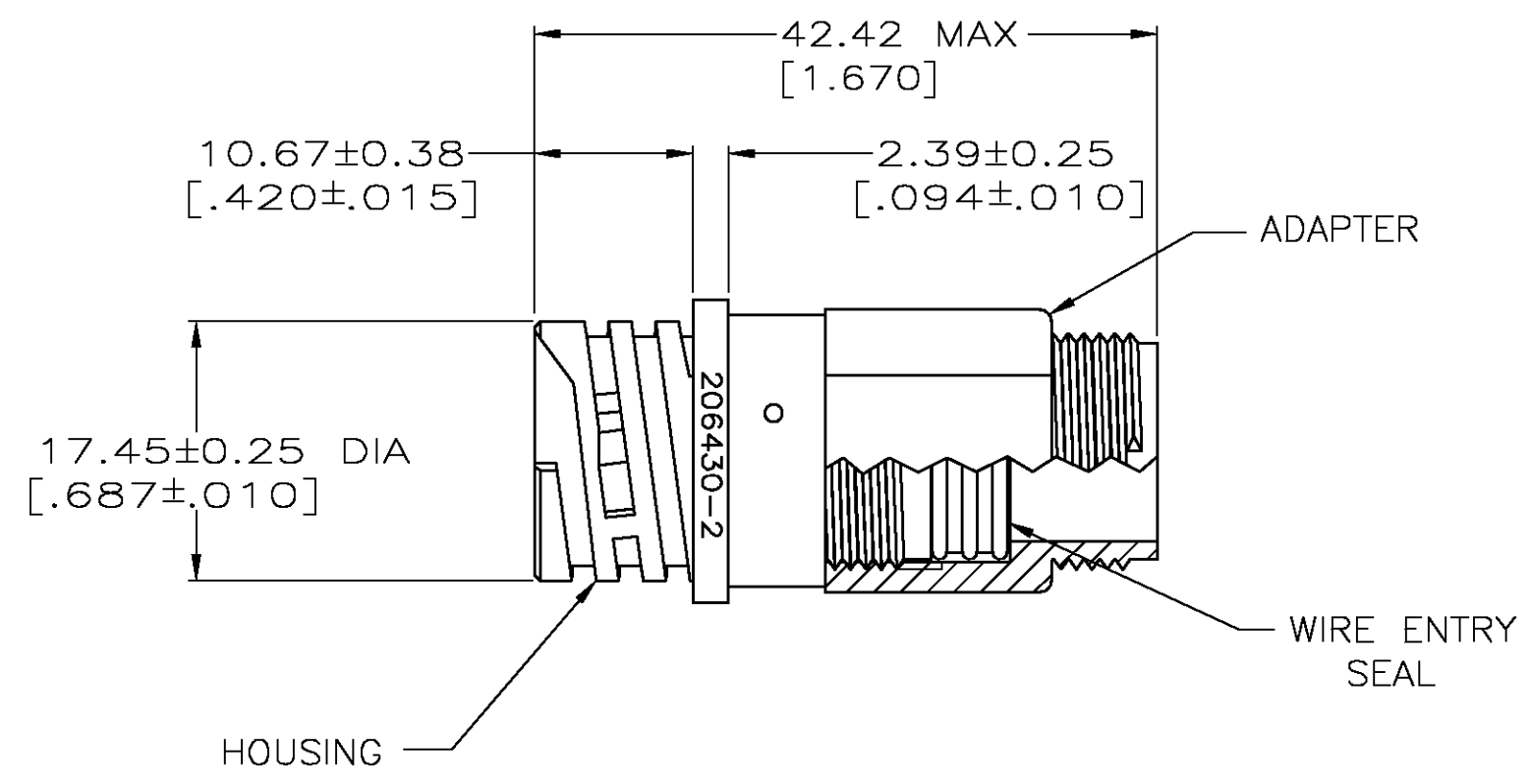
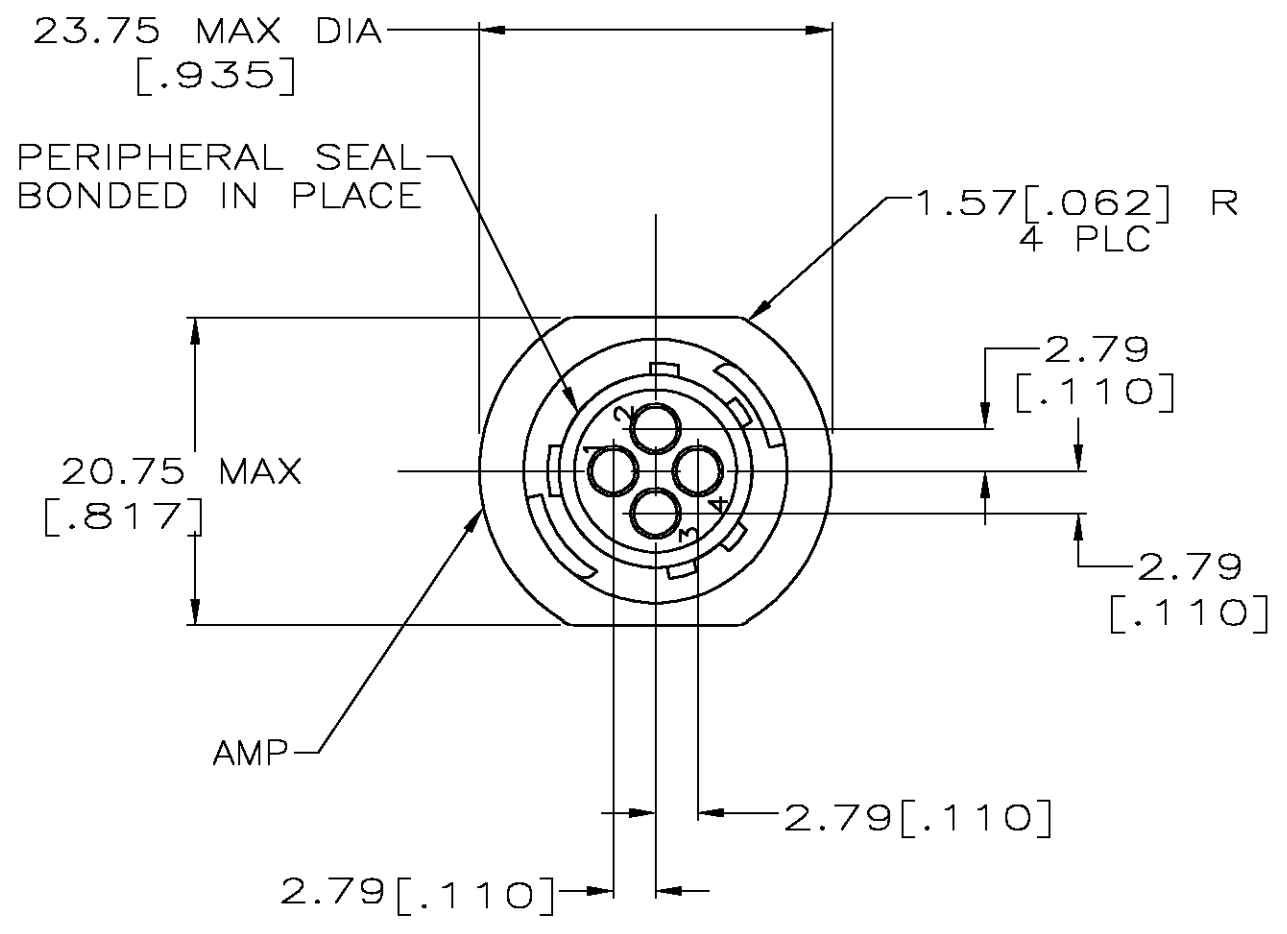


THIS DRAWING IS UNPUBLISHED. RELEASED FOR PUBLICATION
 © COPYRIGHT BY TYCO ELECTRONICS CORPORATION. ALL RIGHTS RESERVED.

| | | | | | | | |
|-----|------|-----------|-----|--------------------------|---------|-----|------|
| LOC | DIST | REVISIONS | | | | | |
| FT | 0 | P | LTR | DESCRIPTION | DATE | DWN | APVD |
| | | | A | REVISED PER 0G3B-0140-04 | 2/19/04 | SS | SH |



788155-2
 PART NUMBER

- ⚠ HOUSING & ADAPTER: NYLON 6/6, BLACK.
 WIRE ENTRY SEAL: ELASTOMER, RED.
- 2. THIS CONNECTOR WILL ACCEPT FOUR (4) MULTIMATE SOCKET CONTACTS.

| | | | | | | | |
|--|--|--|-----------|------------------|-----------------------------------|---|--|
| THIS DRAWING IS A CONTROLLED DOCUMENT. | | DWN | 01 OCT 97 | | tyco Electronics | Tyco Electronics Corporation | |
| | | CHK | 28 OCT 99 | | | Harrisburg, Pa 17105-3608 | |
| DIMENSIONS: MM [INCHES] | | TOLERANCES UNLESS OTHERWISE SPECIFIED: | | APVD | | NAME | |
| | | 0 PLC ± - | | 28 OCT 99 | | RECEPTACLE ASSEMBLY, 11-4, REVERSE SEX, SERIES I, SEALED, CPC | |
| | | 1 PLC ± - | | PRODUCT SPEC | | 108-1579 | |
| | | 2 PLC ± 0.13 [.005] | | APPLICATION SPEC | | 114-10038 | |
| | | 3 PLC ± - | | WEIGHT | | - | |
| | | 4 PLC ± - | | SIZE | | A3 | |
| | | ANGLES ± - | | CAGE CODE | | 00779 | |
| MATERIAL | | FINISH | | DRAWING NO | | C=788155 | |
| - | | - | | RESTRICTED TO | | - | |
| CUSTOMER DRAWING | | | | SCALE | | 2:1 | |
| | | | | SHEET | | 1 OF 1 | |
| | | | | REV | | A | |

X-ON Electronics

Largest Supplier of Electrical and Electronic Components

Click to view similar products for [Standard Circular Connector](#) category:

Click to view products by [TE Connectivity](#) manufacturer:

Other Similar products are found below :

[5M2530B10P](#) [600259N006](#) [600273N007](#) [6134-336-13149](#) [6134-337-11149](#) [6134-337-2390](#) [6134-341-17149](#) [6280-4SG-516](#) [6280-7SG-3DC](#)
[6290](#) [6291A](#) [66200A-10](#) [680-SMG](#) [681-PMG](#) [CXS3102A14S2P](#) [CXS3102A181S](#) [7251-5SG-300](#) [7271-6SG-300](#) [7282-3PG-300-CH3](#) [75-](#)
[474618-01S](#) [75-474618-04P](#) [75-474618-04S](#) [799539-000](#) [MI8-SE](#) [805-005-07NF11-19PC](#) [805-005-07NF15-7PA](#) [8280-4PG-516](#) [8280-7PG-](#)
[519](#) [8282-5PG-519](#) [836783-1](#) [MP-4102-25P-C](#) [862256-1](#) [864019-2](#) [866857-1](#) [867865-1](#) [PT01SP-14-18P](#) [PT08P-14-5S](#) [PTSF06SE-14-12S](#)
[120-1833-000](#) [QCM019PC2DC012B](#) [1-2069279-1](#) [121583-0217](#) [121667-0020](#) [129591AU](#) [1000B BULK](#) [RD10A16-19-P6CS051/1](#)
[RD10A20-31-P8CS051/1](#) [RD16A14-12-S6CS051/2](#) [1301240290](#) [1301240347](#) [1301860202](#)