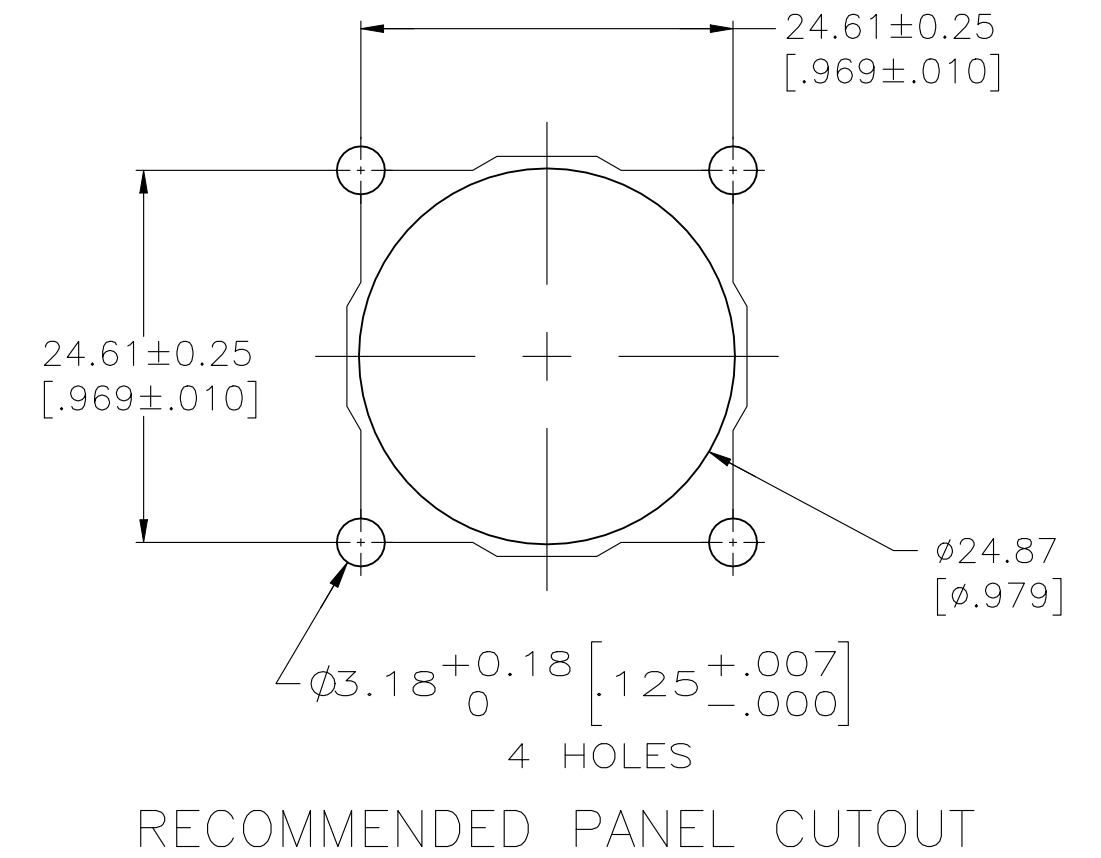
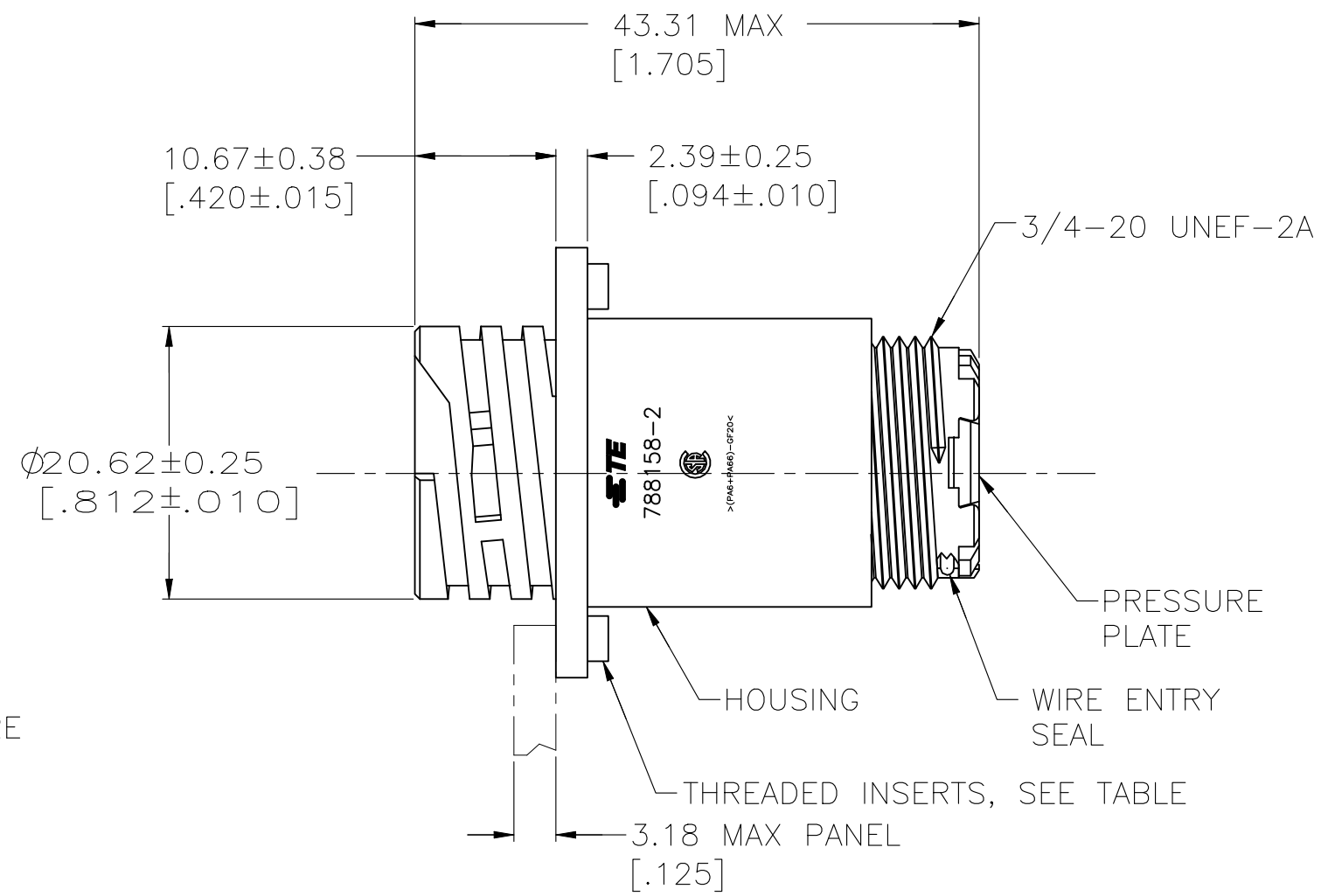
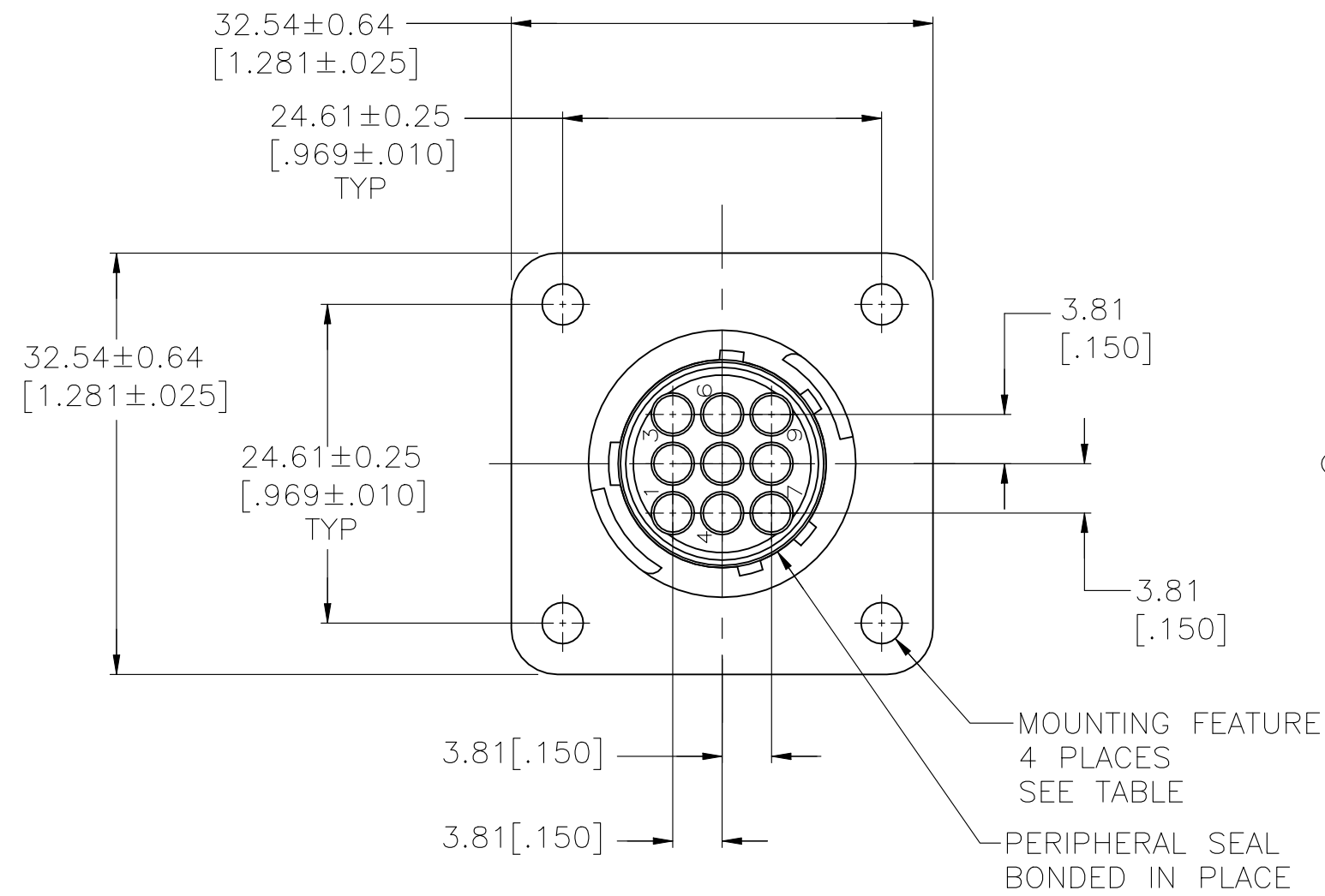


REVISIONS					
P	LTR	DESCRIPTION	DATE	DWN	APVD
F		REVISED PER ECO-21-006944	12OCT2021	RK	MZ



1 THIS PART WILL ACCEPT NINE (9) MULTIMATE PIN CONTACTS.

2 HOUSING AND PRESSURE PLATE: NYLON, BLACK.
 PERIPHERAL SEAL: ELASTOMER, BLACK.
 WIRE ENTRY SEAL: ELASTOMER, RED-IRON OXIDE.
 THREADED INSERTS: BRASS.

3 OBSOLETE PARTS: OBSOLETE CIS STREAMLINING PER D.RENAUD/D.SINISI.

3 OBSOLETE	#4-40 THREADED INSERTS	.065-.100	STANDARD	788158-4
3 OBSOLETE	#4-40 THREADED INSERTS	.040-.080	SMALL	788158-3
3 OBSOLETE	Ø3.18 (.125) HOLES	.065-.100	STANDARD	788158-2
3 OBSOLETE	Ø3.18 (.125) HOLES	.040-.080	SMALL	788158-1
	MOUNTING FEATURE	WIRE INSULATION DIAMETER RANGE	INSULATION	PART NUMBER

THIS DRAWING IS A CONTROLLED DOCUMENT.		DWN	26 AUG 98	C.DORWART	
DIMENSIONS: mm [INCHES]		CHK	26 AUG 98	R.WALTER	
TOLERANCES UNLESS OTHERWISE SPECIFIED:		APVD	26 AUG 98	R.WALTER	
0 PLC	± -	NAME			
1 PLC	± -	RCPT ASSY, 13-9,			
2 PLC	± 0.13 [.005]	STD SEX, SERIES I, SEALED,			
3 PLC	± -	CIRCULAR PLASTIC CONNECTOR			
4 PLC	± -	SIZE	CAGE CODE	DRAWING NO	RESTRICTED TO
ANGLES	± -	A2	00779	C=788158	-
MATERIAL	FINISH	WEIGHT	CUSTOMER DRAWING		
2	-	-	SCALE	SHEET	REV
			2:1	1 OF 1	F

X-ON Electronics

Largest Supplier of Electrical and Electronic Components

Click to view similar products for [Standard Circular Connector](#) category:

Click to view products by [TE Connectivity](#) manufacturer:

Other Similar products are found below :

[5M2530B10P](#) [600259N006](#) [600273N007](#) [6134-336-13149](#) [6134-337-11149](#) [6134-337-2390](#) [6134-341-17149](#) [6280-4SG-516](#) [6280-7SG-3DC](#)
[6290](#) [6291A](#) [66200A-10](#) [680-SMG](#) [681-PMG](#) [CXS3102A14S2P](#) [CXS3102A181S](#) [7251-5SG-300](#) [7271-6SG-300](#) [7282-3PG-300-CH3](#) [75-](#)
[474618-01S](#) [75-474618-04P](#) [75-474618-04S](#) [799539-000](#) [MI8-SE](#) [805-005-07NF11-19PC](#) [805-005-07NF15-7PA](#) [8280-4PG-516](#) [8280-7PG-](#)
[519](#) [8282-5PG-519](#) [836783-1](#) [MP-4102-25P-C](#) [862256-1](#) [864019-2](#) [866857-1](#) [867865-1](#) [PT01SP-14-18P](#) [PT08P-14-5S](#) [PTSF06SE-14-12S](#)
[120-1833-000](#) [QCM019PC2DC012B](#) [1-2069279-1](#) [121583-0217](#) [121667-0020](#) [129591AU](#) [1000B BULK](#) [RD10A16-19-P6CS051/1](#)
[RD10A20-31-P8CS051/1](#) [RD16A14-12-S6CS051/2](#) [1301240290](#) [1301240347](#) [1301860202](#)