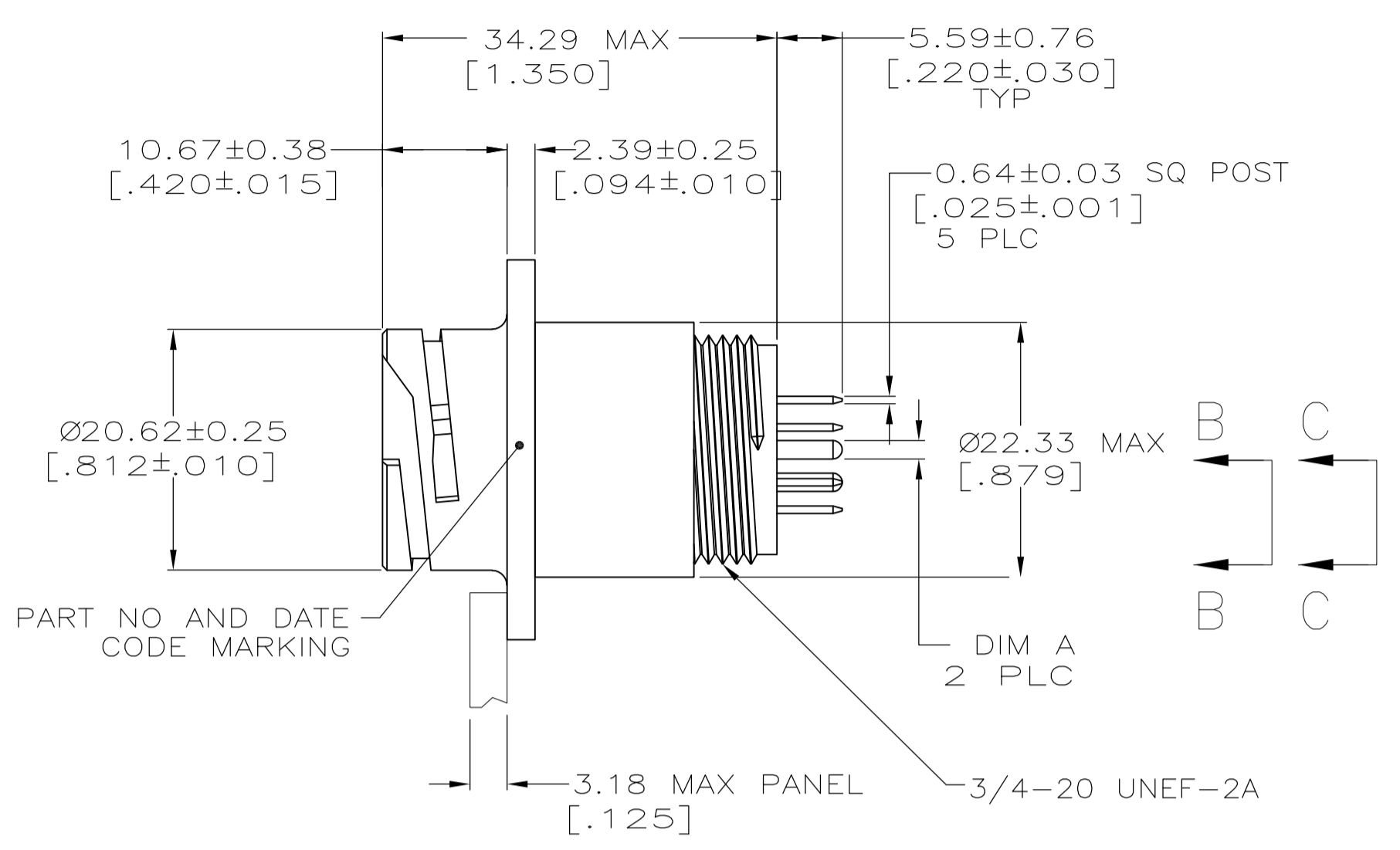
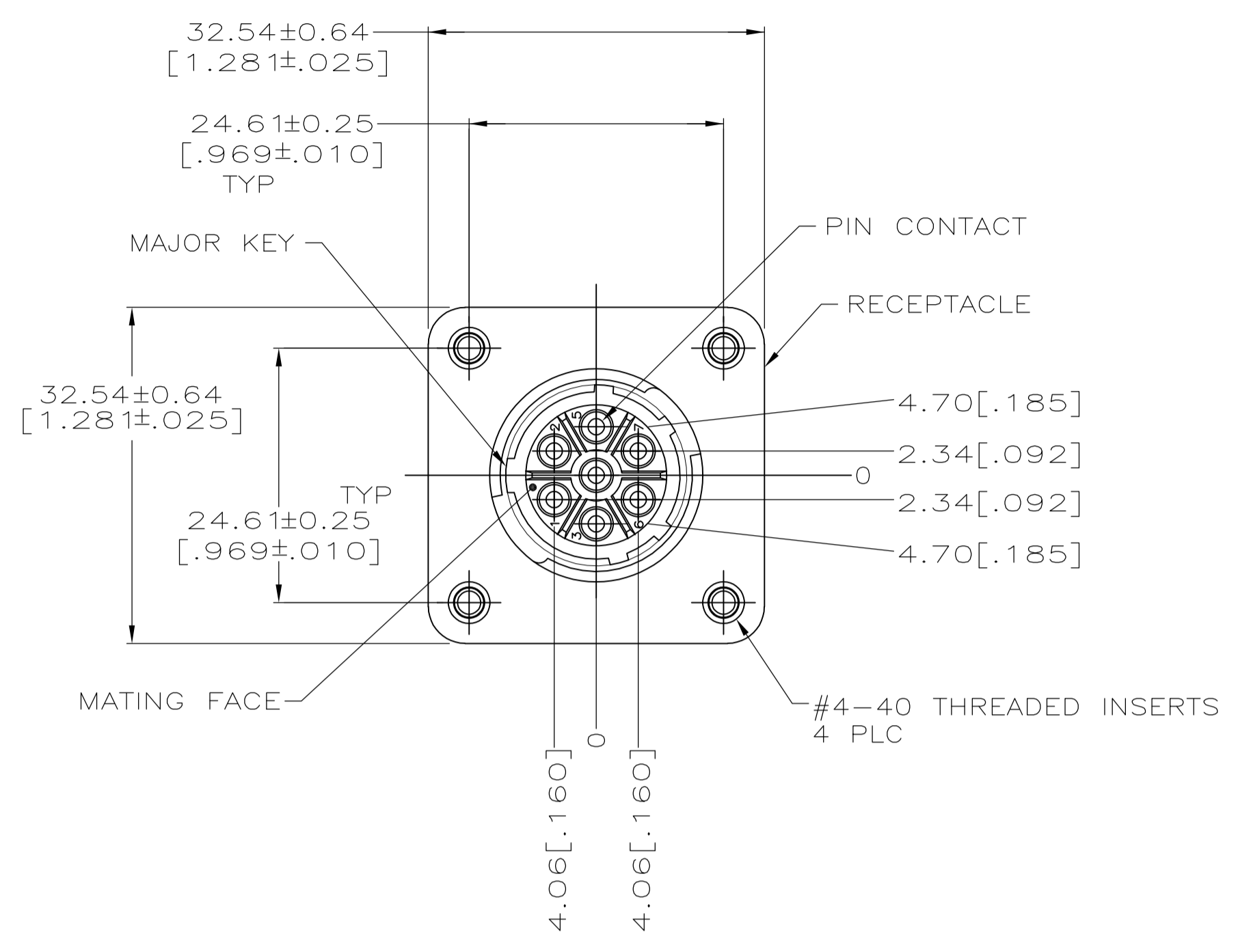
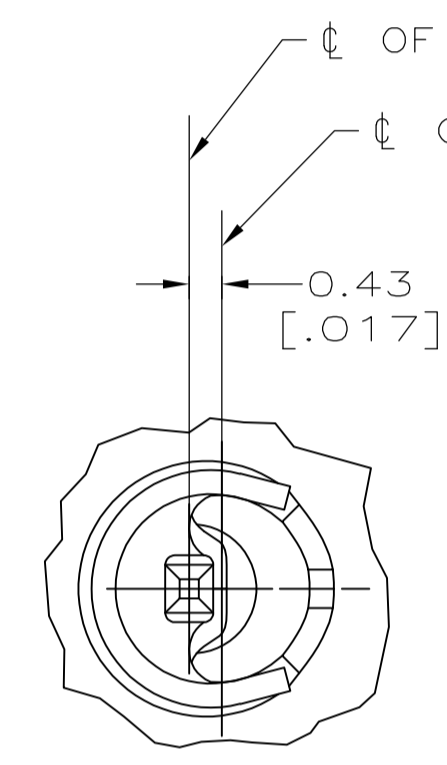


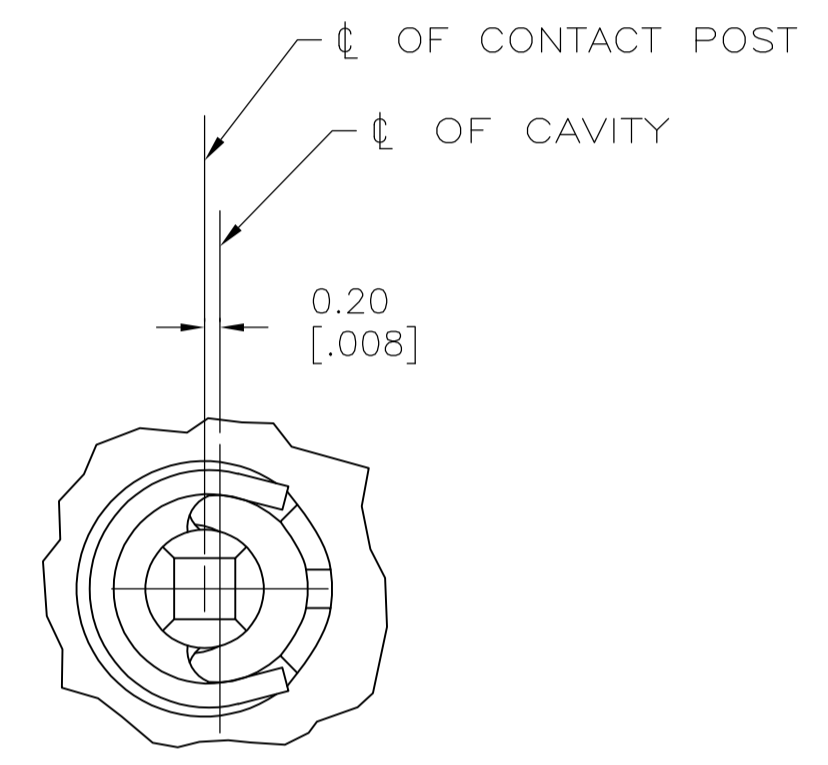
REVISIONS					
P	LTR	DESCRIPTION	DATE	DMN	APVD
C		REVISED PER ECO-06-25468	11/08/06	SS	SH
C1		REVISED PER ECO-09-022908	08OCT09	KK	AEG
D		REVISED PER ECO-16-018356	22MAR2017	RS	MZ



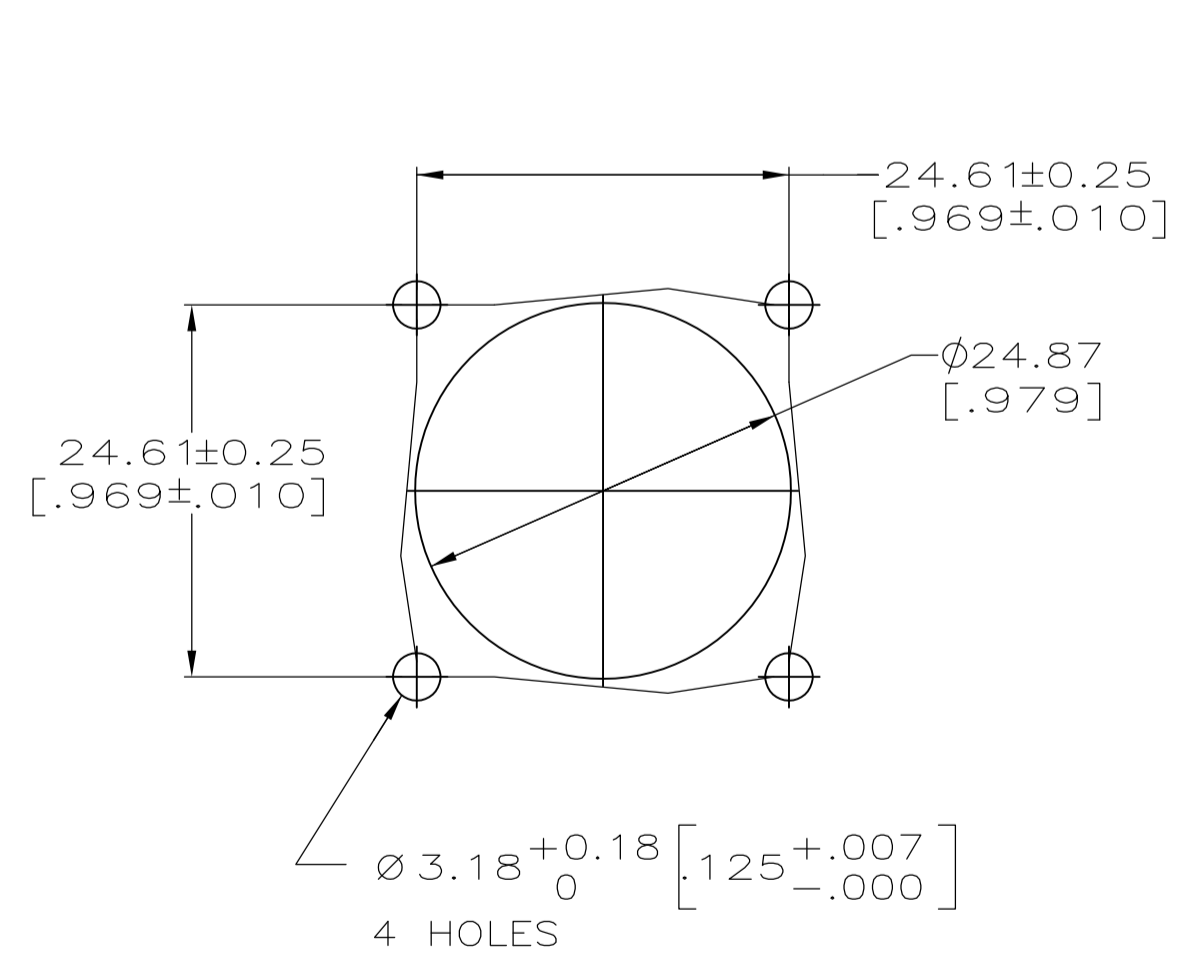
- CAVITY IDENTIFICATION ON FRONT AND REAR FACE.
- RECEPTACLE: NYLON, UL 94V-0 RATED, BLACK.  
PIN CONTACT WITH 0.64[.025] SQ POST: BRASS.  
PIN CONTACT WITH  $\phi 1.57[.062]$  POST: COPPER ALLOY.  
SPRING: STAINLESS STEEL.  
INSERTS: BRASS.
- PIN CONTACT WITH SQ POST:  
CONTACT: 0.76 $\mu\text{m}$ [.000030] MIN GOLD FOR A DISTANCE OF 6.35[.250] FROM MATING END, ALL OVER 1.27 $\mu\text{m}$ [.000050] MIN NICKEL.  
POST: 2.54 $\mu\text{m}$ [.000100] MIN TIN-LEAD OVER 1.27 $\mu\text{m}$ [.000050] MIN NICKEL.
- PIN CONTACT WITH  $\phi 1.57[.062]$  POST: 5.08 $\mu\text{m}$ [.000200] MIN SILVER ALL OVER 1.27 $\mu\text{m}$ [.000050] MIN NICKEL.
- PIN CONTACT WITH SQ POST:  
CONTACT: 0.76 $\mu\text{m}$ [.000030] MIN GOLD FOR A DISTANCE OF 6.35[.250] FROM MATING END, ALL OVER 1.27 $\mu\text{m}$ [.000050] MIN NICKEL.  
POST: 2.54 $\mu\text{m}$ [.000100] MIN TIN OVER 1.27 $\mu\text{m}$ [.000050] MIN NICKEL.
- OBsolete PARTS: OBsolete CIS STREAMLINING PER D.RENAUD/D.SINISI



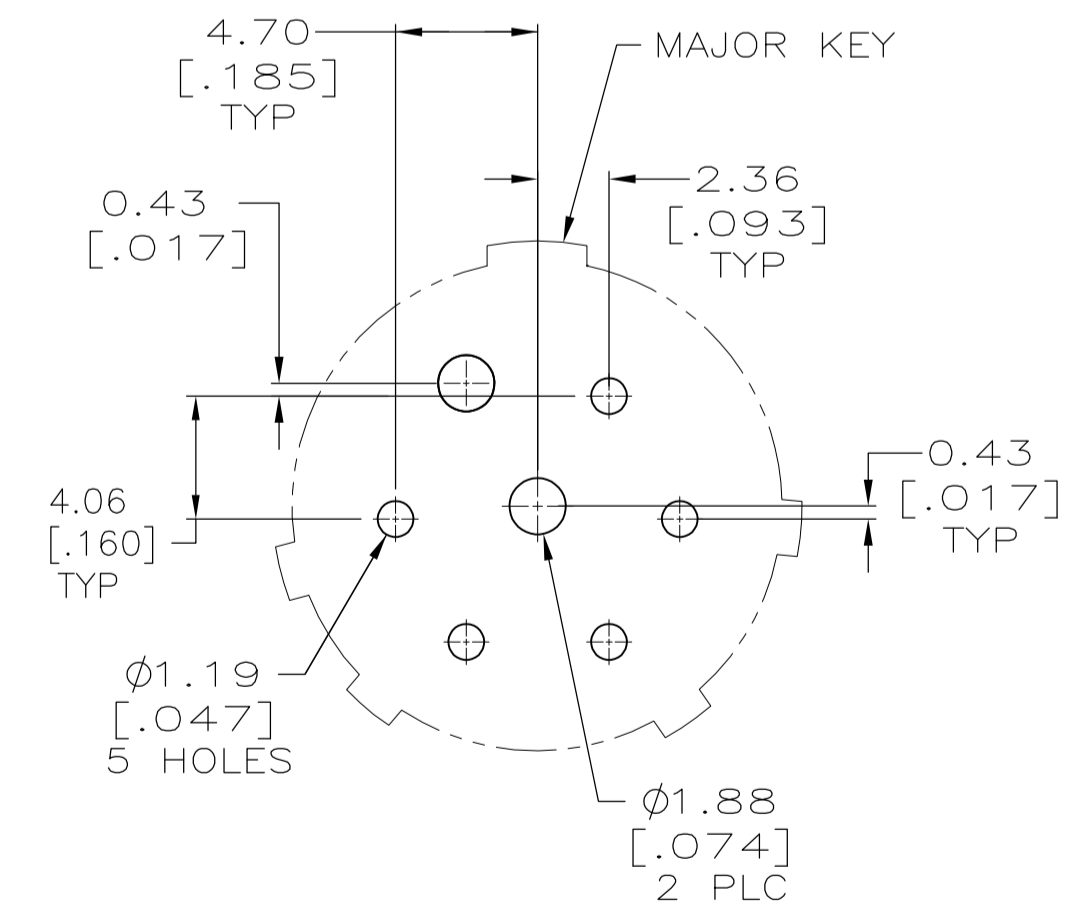
VIEW B-B  
SCALE 10:1  
5 PLC



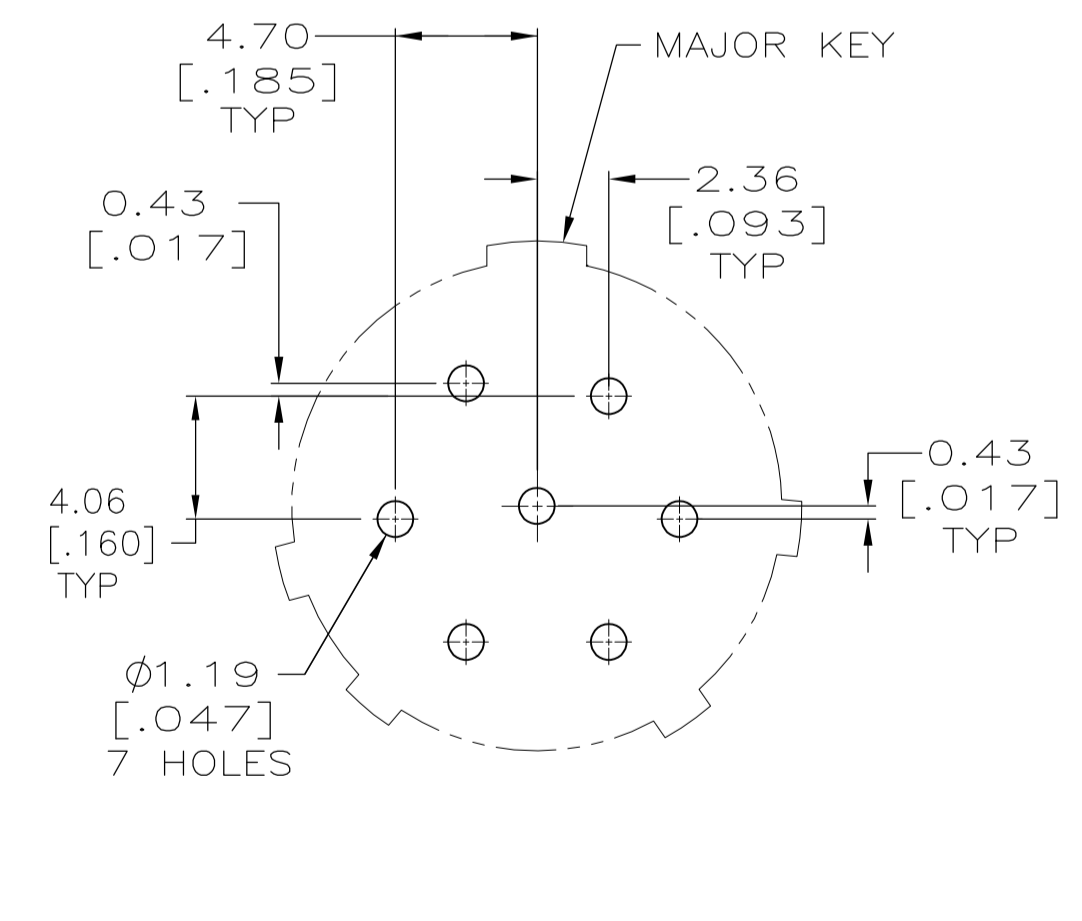
VIEW C-C  
SCALE 10:1  
2 PLC  
788194-6 ONLY



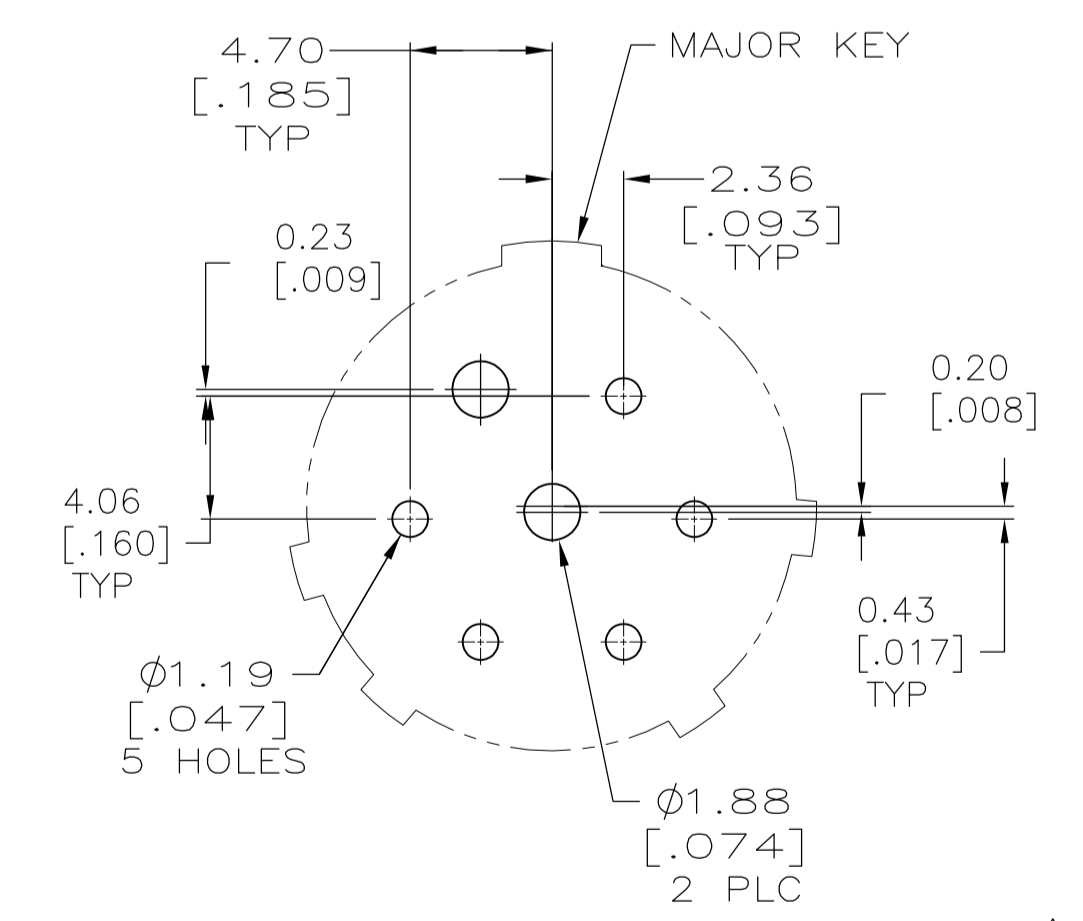
RECOMMENDED PANEL CUTOUT



RECOMMENDED BOARD LAYOUT  
FOR 788194-1, -3 & -5  
SCALE 4:1



RECOMMENDED BOARD LAYOUT  
FOR 788194-2 & -4  
SCALE 4:1



RECOMMENDED BOARD LAYOUT  
FOR 788194-6 ONLY  
SCALE 4:1

	.062 DIA.	$\triangle 2/5$	788194-6
OBsolete	.045 SQ	$\triangle 2/5$	788194-5
OBsolete	.025 DIA.	$\triangle 2/5$	788194-4
	.062 DIA.	$\triangle 2/4/5$	788194-3
OBsolete	.025 SQ	$\triangle 2/3$	788194-2
OBsolete	.062 DIA.	$\triangle 2/3/4$	788194-1
	DIM A	PIN CONTACT	PART NUMBER

DIMENSIONS:		TOLERANCES UNLESS OTHERWISE SPECIFIED:		MATERIAL:		FINISH:	
mm	[INCHES]	0 PLC	± -	2	-	2	-
		1 PLC	± -				
		2 PLC	± 0.13[.005]				
		3 PLC	± -				
		4 PLC	± -				
		ANGLES	± -				

THIS DRAWING IS A CONTROLLED DOCUMENT.		DIN K. WHITAKER 28-MAR-2000		TE Connectivity	
DIMENSIONS:		CHK M. CHACKO 28-MAR-2000		NAME	
MATERIAL:		APVD M. CHACKO 28-MAR-2000		PRODUCT SPEC	
FINISH:		NAME		108-10024	
		APPLICATION SPEC		114-10038	
		SIZE		CAGE CODE	
		A1		DRAWING NO	
		00779		788194	
		CUSTOMER DRAWING		SCALE 2:1	
				SHEET 1 of 1	
				REV D	

## X-ON Electronics

Largest Supplier of Electrical and Electronic Components

*Click to view similar products for [Standard Circular Connector](#) category:*

*Click to view products by [TE Connectivity](#) manufacturer:*

Other Similar products are found below :

[C015](#) [10F006](#) [001](#) [1](#) [5M2530B10P](#) [600247N007](#) [600259N006](#) [600273N007](#) [600432N009](#) [6280-2PG-519](#) [6280-3PG-311](#) [6280-3SG-311](#)  
[6280-7SG-3DC](#) [6280-7SG-522](#) [6282-5PG-311](#) [6282-6PG-519](#) [6282-8SG-311](#) [6283-11](#) [6283-15](#) [6290](#) [6382-2PG-311](#) [6382-2PG-3DC](#) [6382-2SG-321](#) [6382-2SG-3DC](#) [6382-4SG-516](#) [67-03E20-37P](#) [681-PMG](#) [CXS3102A14S2P](#) [CXS3102A181S](#) [CXS3106A14S6S](#) [MB12P-1](#)  
[MB12R-6](#) [7251-2PG-300](#) [7251-2SG-300](#) [7251-4PG-300](#) [7251-4SG-300](#) [7251-5PG-300](#) [7251-5SG-300](#) [7251-6SG-300](#) [7251-7PG-300](#) [7251-8PG-300](#) [7271-6SG-300](#) [7282-3PG-300-CH3](#) [73000005663](#) [75-190011-03P](#) [75-190216-08S](#) [75-190218-10P](#) [75-214636-52P](#) [75-474118-10P](#)  
[75-474211-03P](#) [75-474218-19S](#) [75-474618-01S](#) [799539-000](#)