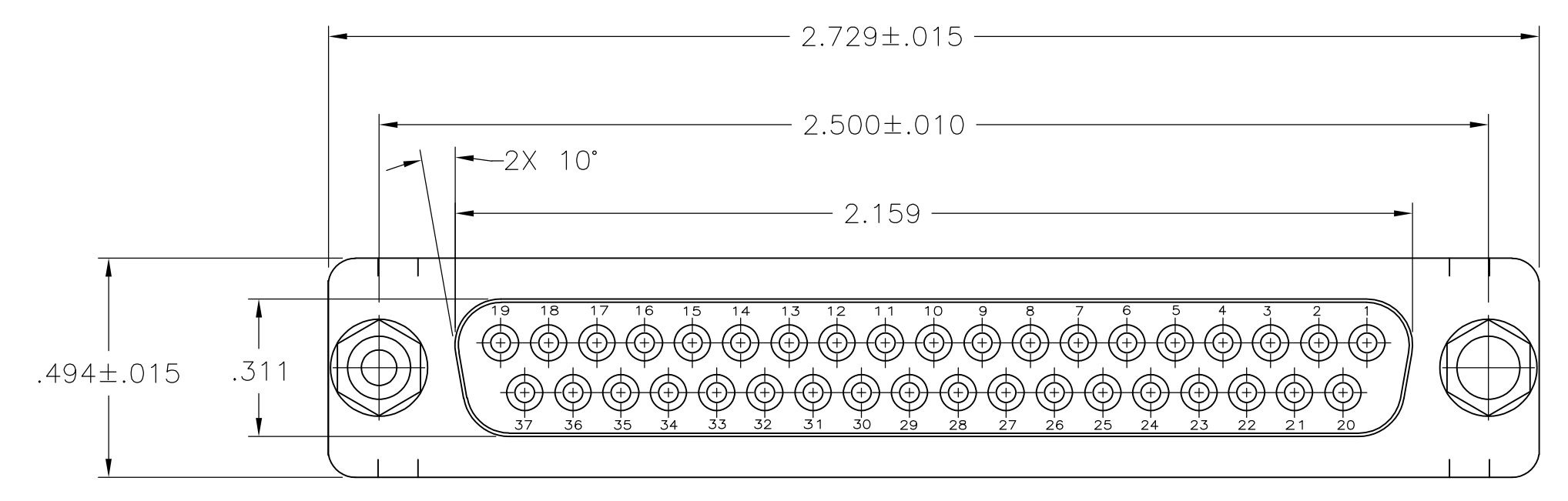
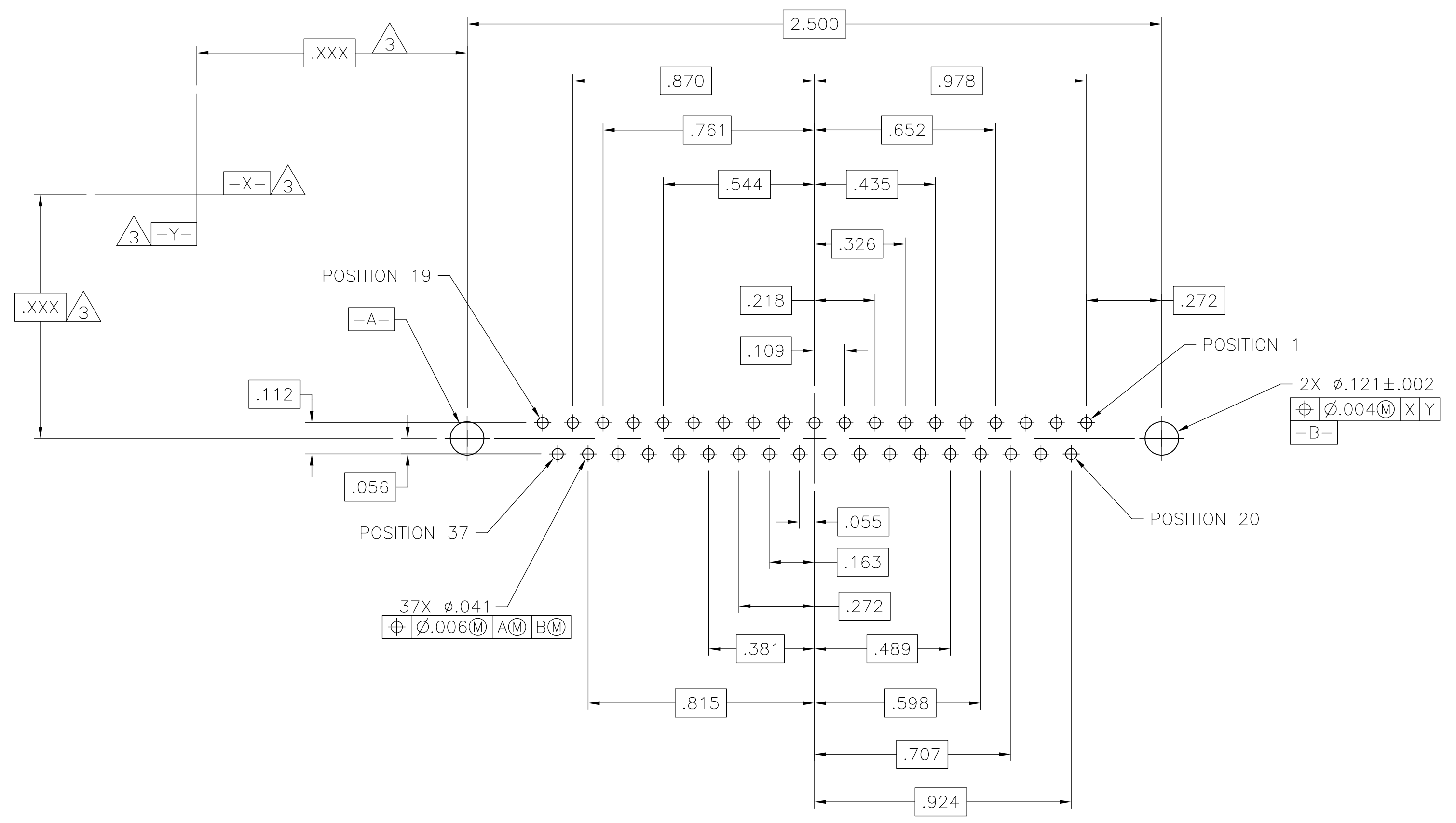
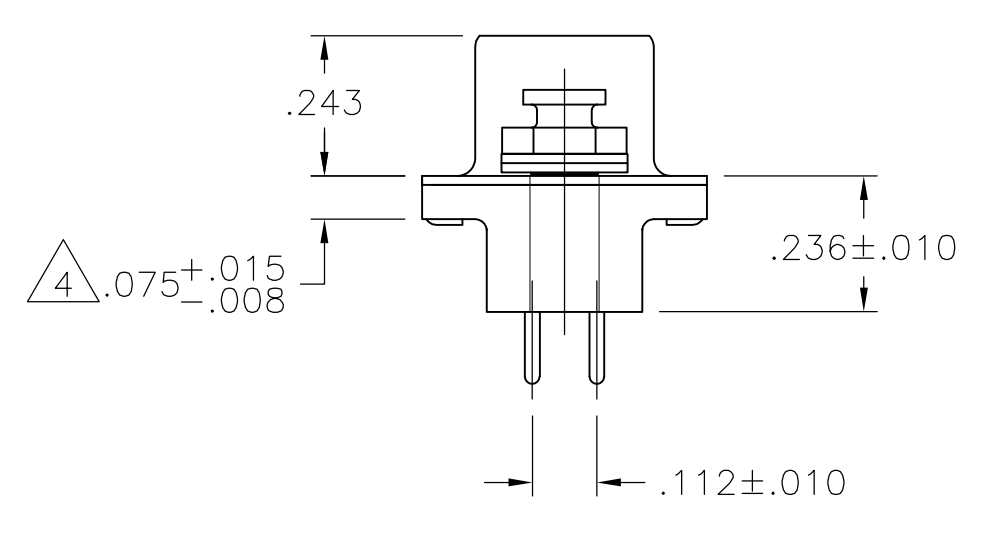
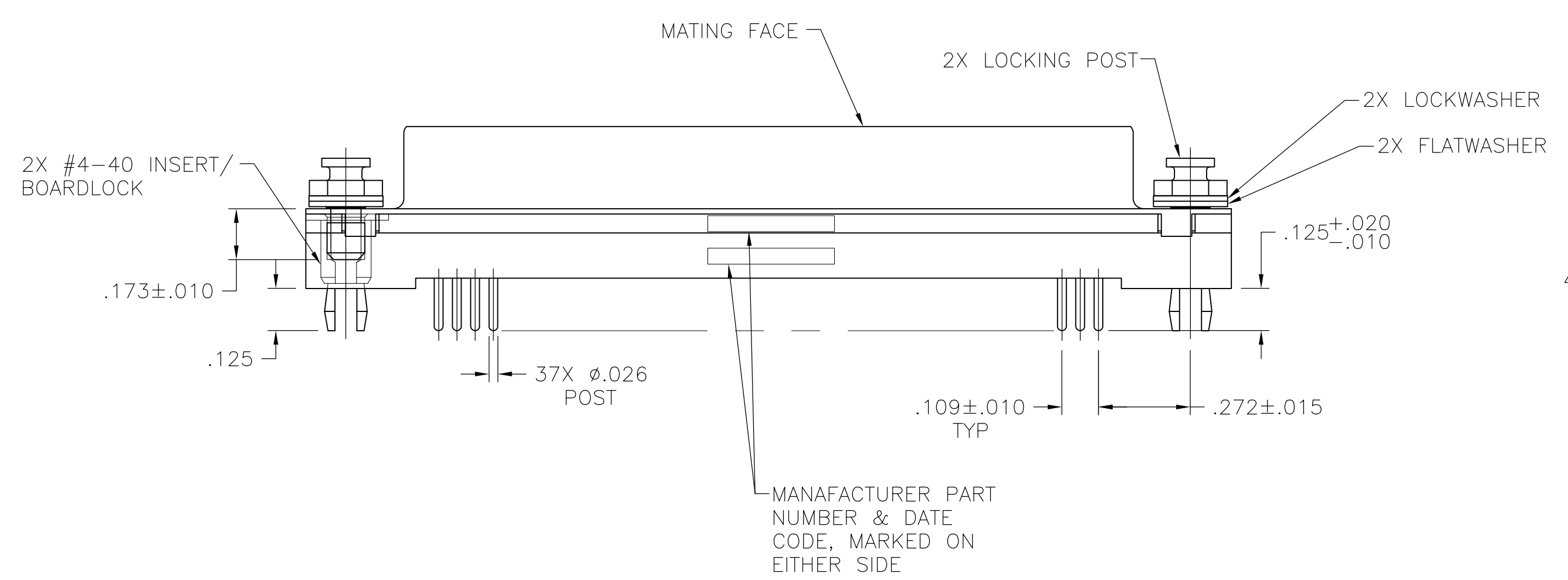


REVISIONS					
P	LTR	DESCRIPTION	DATE	OWN	APVD
A		REVISED PER ECO-16-001548	08MAR2016	AP	DG



- 1 MATERIAL:
HOUSING: FLAME RETARDANT 94V-0 RATED THERMOPLASTIC, COLOR: BLACK.
SHELL: CARBON STEEL.
CONTACTS: PHOS. BRONZE.
INSERTS/BOARDLOCKS: BRASS.
LOCKING POST, LOCK WASHER & FLAT WASHER: CARBON STEEL.
- 2 FINISH:
SHELL: .000200 MIN TIN OVER .000100 MIN COPPER
CONTACTS: .000030 MIN GOLD FOR LENGTH OF .100 MIN FROM MATING END, .000100 MIN TIN OR TIN-LEAD ON TERMINATION END, ALL OVER .000050 MIN NICKEL ON ENTIRE CONTACT.
INSERTS/BOARDLOCK: .000150 MIN TIN-LEAD OVER .000100 MIN COPPER EXCEPT PLATING NOT REQUIRED IN THREADED AREA.
LOCKING POST: ZINC PLATE WITH CLEAR CHROMATE COATING.
LOCK WASHER & FLAT WASHER: ZINC PLATE WITH CLEAR CHROMATE COATING.
- 3 DATUMS AND BASIC DIMENSIONS TO BE ESTABLISHED BY CUSTOMER.
- 4 .110 MAX IN SHELL TAB CLINCH AREAS.



RECOMMENDED PC BOARD MOUNTING DIMENSIONS
(.062 THICK PCB)

788836-1
PART NUMBER

THIS DRAWING IS A CONTROLLED DOCUMENT.		DIN B1 MCMMASTER 12OCT05	TE Connectivity
DIMENSIONS: INCHES		CHK S. BOLASH 12OCT05	
TOLERANCES UNLESS OTHERWISE SPECIFIED:		APVD S. BOLASH 12OCT05	NAME
0 PLC ± -		PRODUCT SPEC	RECEPTACLE ASSEMBLY, SIZE 4, 37 POS., VERTICAL, FRONT METAL SHELL, AMPLIMITE HD-20
1 PLC ± -		APPLICATION SPEC	108-40025
2 PLC ± -		SIZE	A1
3 PLC ± .005		WEIGHT	00779
4 PLC ± -		CUSTOMER DRAWING	788836
ANGLES ± -		SCALE	3:1
		SHEET	1 OF 1
		REV	A

X-ON Electronics

Largest Supplier of Electrical and Electronic Components

Click to view similar products for [D-Sub Standard Connectors](#) category:

Click to view products by [TE Connectivity](#) manufacturer:

Other Similar products are found below :

[DCM37S732N](#) [DAM15P500](#) [DEV09S364GTLF](#) [DEM09P032N](#) [DDM50P732N](#) [DAM15S332N](#) [173109-2218](#) [173109-2466](#) [173109-2436](#)
[173109-2435](#) [56F706-005-LI](#) [56F711-015](#) [015-0341-000](#) [015-0372-008](#) [015-8544-011](#) [017041-0005](#) [020419-0104](#) [012-0515-000](#) [012-9507-](#)
[034](#) [012-9507-114](#) [012-9534-001](#) [020745-0008](#) [609-25P](#) [M24308/2-23Z](#) [M243082310F](#) [M243082410F](#) [M243082411F](#) [M24308/4-21](#)
[CT1A18-11PSA206](#) [CT1N36-5SC](#) [CT2-16S-17PS](#) [CT2-20-15PCAU](#) [CT2-24-12PS](#) [CT2-24-28PSF127A206](#) [CT2-32-9PC](#) [CT6F9767-14-4-](#)
[14S-5PC](#) [CT6FA10SL-4PS](#) [CT7-18-10SC](#) [CT7-18-10SCAU](#) [CT7-18-12SCAU](#) [CT7-18-1PC](#) [CT7-18-1PCAU](#) [CT7-18-21SCAU](#) [M83513/01-](#)
[FC](#) [M83723/76W24619 L/C](#) [M85049/48-3-2F](#) [69001-865](#) [6STD09PCM99B70X](#) [6STD09SCM99B30X](#) [6STD09SCT99S40X](#)