

Thermofit® Molded Parts

Specification Control Drawing

Part Number: 102A962
Description: Switch Cover

Notes:

- All dimensions are in $\frac{\text{Inches}}{\text{[Millimeters]}}$
- Dimensions appearing in table are as follows:
 a - as supplied
 b - after unrestricted recovery
- Coating is optional. As supplied dimensions appearing in table are for uncoated parts. When coating is added, entry diameters will be reduced by .06 max.
- Standard color is grey. Other colors available upon request.

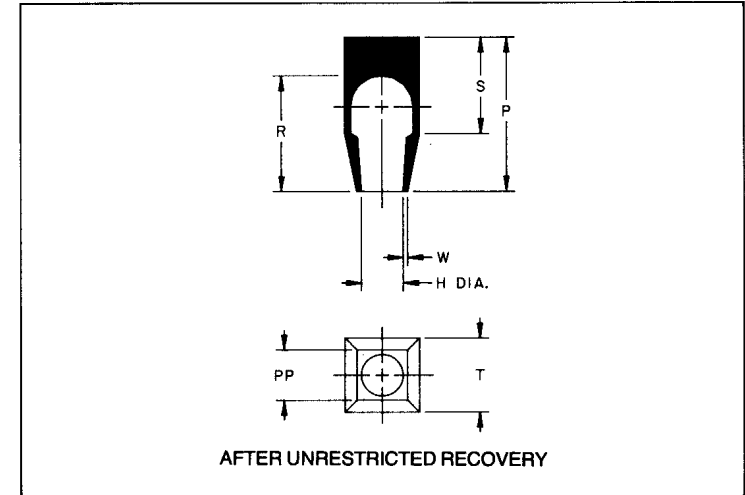
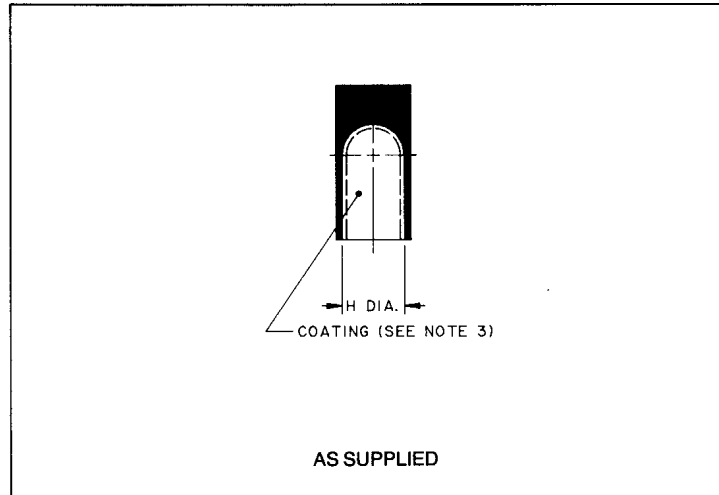


Table of Dimensions									
Part Number	H		P	R	S	T	PP	W	Weight Nom
	Min a	Max b	±10% b	±10% b	Ref b	±10% b	±10% b	±20% b	
102A962	$\frac{.50}{[12,7]}$	$\frac{.28}{[7,1]}$	$\frac{1.04}{[26,4]}$	$\frac{.78}{[19,8]}$	$\frac{.65}{[16,5]}$	$\frac{.49}{[12,4]}$	$\frac{.31}{[7,9]}$	$\frac{.03}{[0,76]}$	$\frac{.007}{[3,0]}$

Raychem

Raychem Corporation
 300 Constitution Drive
 Menlo Park, California 94025
 415) 361 6055

Revision: **B**
 Date: **3-8-90**

Part Number: 102A962
Description: Switch Cover

Thermofit® Molded Parts

Specification Control Drawing

Part Number: 102A962
Description: Switch Cover

Compatability Chart					
Material Dash No.	Material Description	RT Spec	Coating Slash No.	Coating S No.	Coating Description
- 3	Polyolefin, Semi-Rigid	RT-301	/42	S-1017	Adhesive

Ordering Information:

102A962 — X — XX / XX

Base part number

Material dash number
 (see compatability chart)

Modification number
 (if necessary, see front of SCD binder
 for a complete modification list)

Adhesive slash number
 (if necessary, see compatability chart)

This drawing is subject to change without notice; consult your nearest field representative for current revision.

Raychem

Raychem Corporation
 300 Constitution Drive
 Menlo Park, California 94025
 415) 361 6055

Revision: **B**
 Date: **3-8-90**

Part Number: 102A962
Description: Switch Cover

X-ON Electronics

Largest Supplier of Electrical and Electronic Components

Click to view similar products for [Cable Mounting & Accessories](#) category:

Click to view products by [TE Connectivity](#) manufacturer:

Other Similar products are found below :

[HP-4N](#) [582603-1](#) [009333-000](#) [727844N003](#) [809090N001](#) [8109](#) [843188-000](#) [843459N001](#) [843460N003](#) [8666](#) [967279N002](#) [GPQC1/0](#) [DB-11](#) [1300830208](#) [1300840039](#) [1300900026](#) [1300990052](#) [1301740005](#) [1301800121](#) [1301800416](#) [1300830184](#) [1300990149](#) [1301580036](#) [1301720103](#) [1301720135](#) [1301720152](#) [1301720157](#) [1301740009](#) [1301770011](#) [1301850553](#) [1301860939](#) [1302000074](#) [1302264431](#) [1337706-2](#) [APA18-AK](#) [MTX6UTPSRC-C](#) [1-787307-1](#) [185491N001](#) [HP-6N](#) [C-202-C](#) [202C221-13-0](#) [OMTM-S10-C0](#) [205339-4](#) [CA7308-000](#) [8S23-75FR-CS8184](#) [2684](#) [9648](#) [3089](#) [988382-000](#) [A0270164](#)