

THIS DRAWING IS UNPUBLISHED.

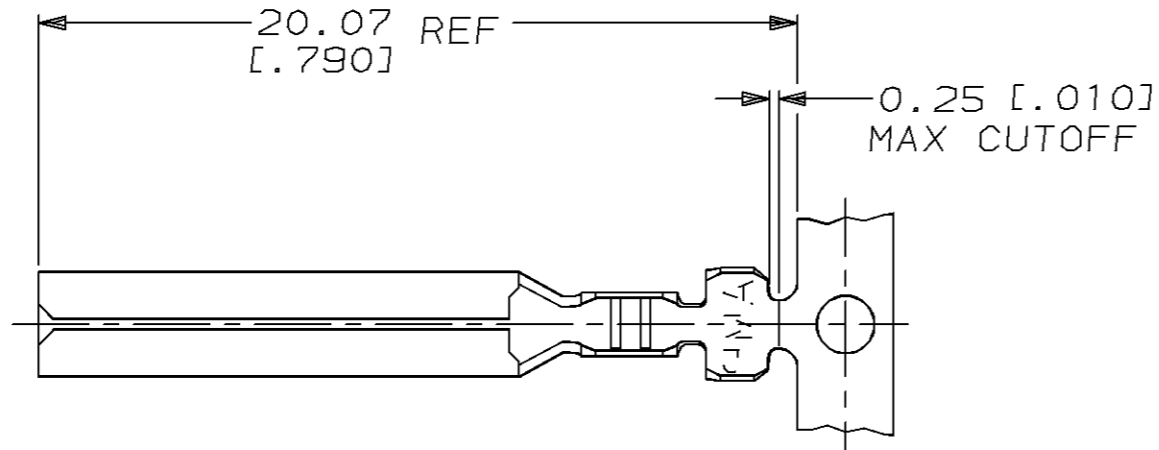
RELEASED FOR PUBLICATION

,19

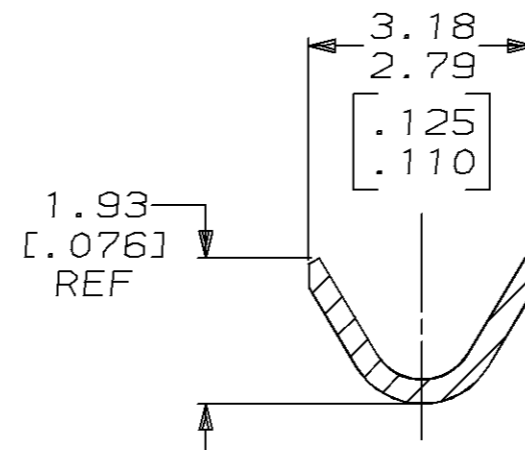
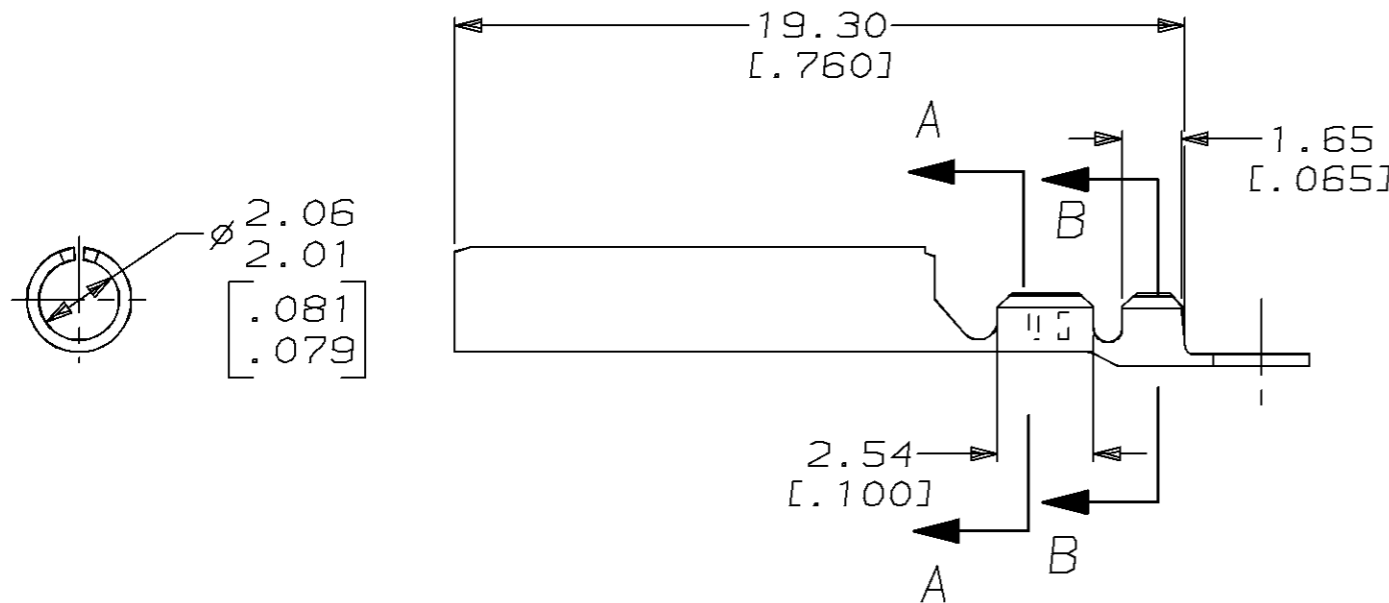
© COPYRIGHT 19

BY AMP INCORPORATED. ALL RIGHTS RESERVED.

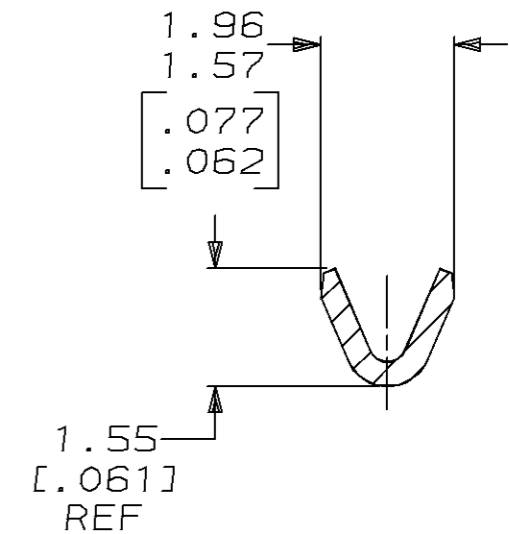
LOC	DIST	REVISIONS					
		P	LTR	DESCRIPTION	DATE	DWN	APVD
CM	53		A	REV PER EC 0L30-0020-96	8-1-96	JH	RS



1. DIMENSIONS IN BRACKETS ARE IN INCHES.
2. WIRE RANGE: 0.5 - 0.15 MM SQ (30 -26 AWG)
3. INSULATION RANGE: 0.81 - 1.45 (.032 -.057) DIA



SECTION B-B
SCALE 10:1



SECTION A-A
SCALE 10:1

TIN	0.30 (.012) BRASS	794042-1
FINISH	MATERIAL	PART NUMBER

<small>THIS DRAWING IS A CONTROLLED DOCUMENT FOR AMP INCORPORATED. IT IS SUBJECT TO CHANGE AND THE CONTROLLING ENGINEERING ORGANIZATION SHOULD BE CONTACTED FOR THE LATEST REVISION.</small>		DWN	L. SMITH	4-18-94	AMP AMP Incorporated Harrisburg, PA 17105-3608
DIMENSIONS:		CHK	R. SWING	4-18-94	
mm [INCHES]		APVD	D. SELF	4-21-94	
TOLERANCES UNLESS OTHERWISE SPECIFIED:		PRODUCT SPEC	-	-	
	0 PLC	±-	NAME SOCKET, UNIVERSAL MATE-N-LOK		
	1 PLC	±-			
2 PLC	±-				
3 PLC	±.005				
4 PLC	±-				
ANGLES	±0°30'	APPLICATION SPEC			
FINISH	TIN	WEIGHT	-	SIZE	A3
MATERIAL	BRASS	CUSTOMER DRAWING	CAGE CODE		00779
		DRAWING NO		C=794042	
		SCALE	5:1	SHEET	1 OF 1
		REV		A	

METRIC

X-ON Electronics

Largest Supplier of Electrical and Electronic Components

Click to view similar products for [Pin & Socket Connectors](#) category:

Click to view products by [TE Connectivity](#) manufacturer:

Other Similar products are found below :

[6450822-1](#) [770392-1](#) [794042-1](#) [796885-1](#) [8-794535-1](#) [881459-2](#) [R929993003](#) [1-350779-3](#) [1403611-1](#) [1-480349-5](#) [152302-5](#) [1586092-1](#)
[1586129-1](#) [1586487-1](#) [1586681-4](#) [1586700-1](#) [1586065-1](#) [1586077-1](#) [1586368-1](#) [1586380-1](#) [1586616-1](#) [1586680-5](#) [1586681-2](#) [1604996-1](#)
[16-06-0038](#) [164164-5](#) [1-6609930-1](#) [172296-1](#) [1-794714-6](#) [19-09-2035](#) [1969804-1](#) [200503-1](#) [200788-2](#) [201046-7](#) [202648-4](#) [2029076-2](#)
[2029090-4](#) [2029095-4](#) [2-66102-6](#) [925061-7](#) [926681-1](#) [293734-4](#) [293737-2](#) [1-765362-4](#) [1-794606-3](#) [1871534-1](#) [1969795-1](#) [1969798-1](#)
[1969800-1](#) [200833-4](#)