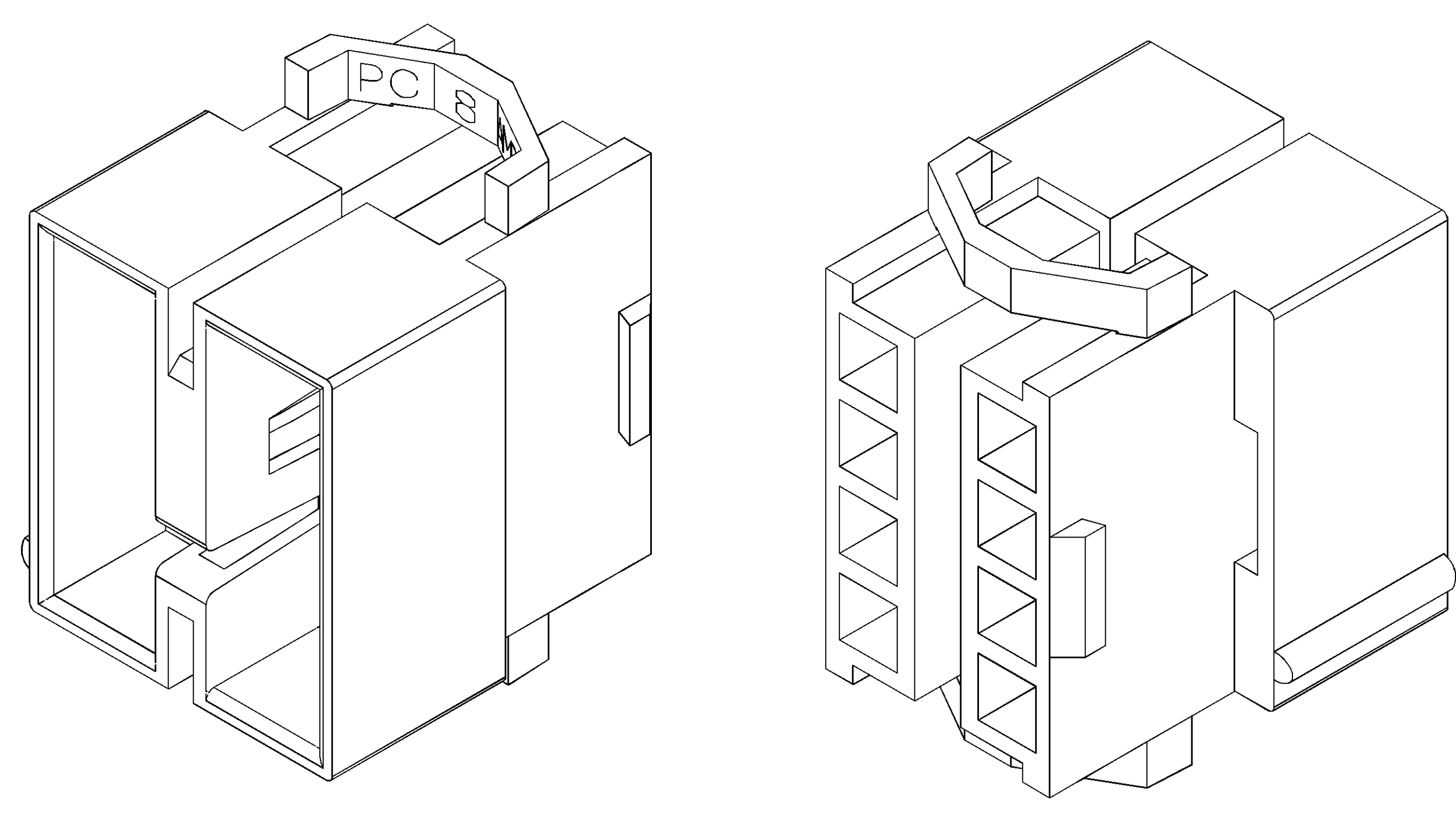
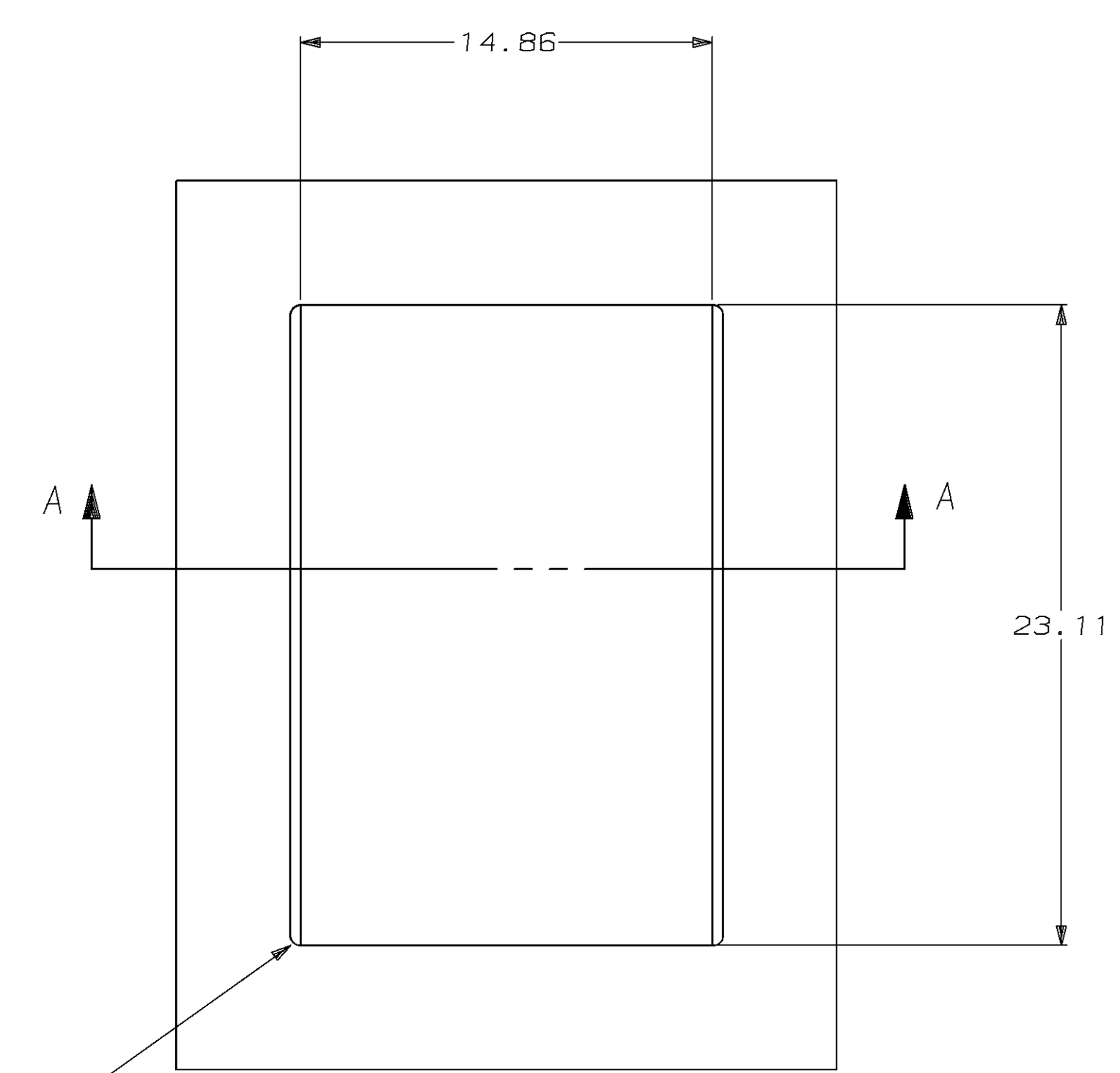
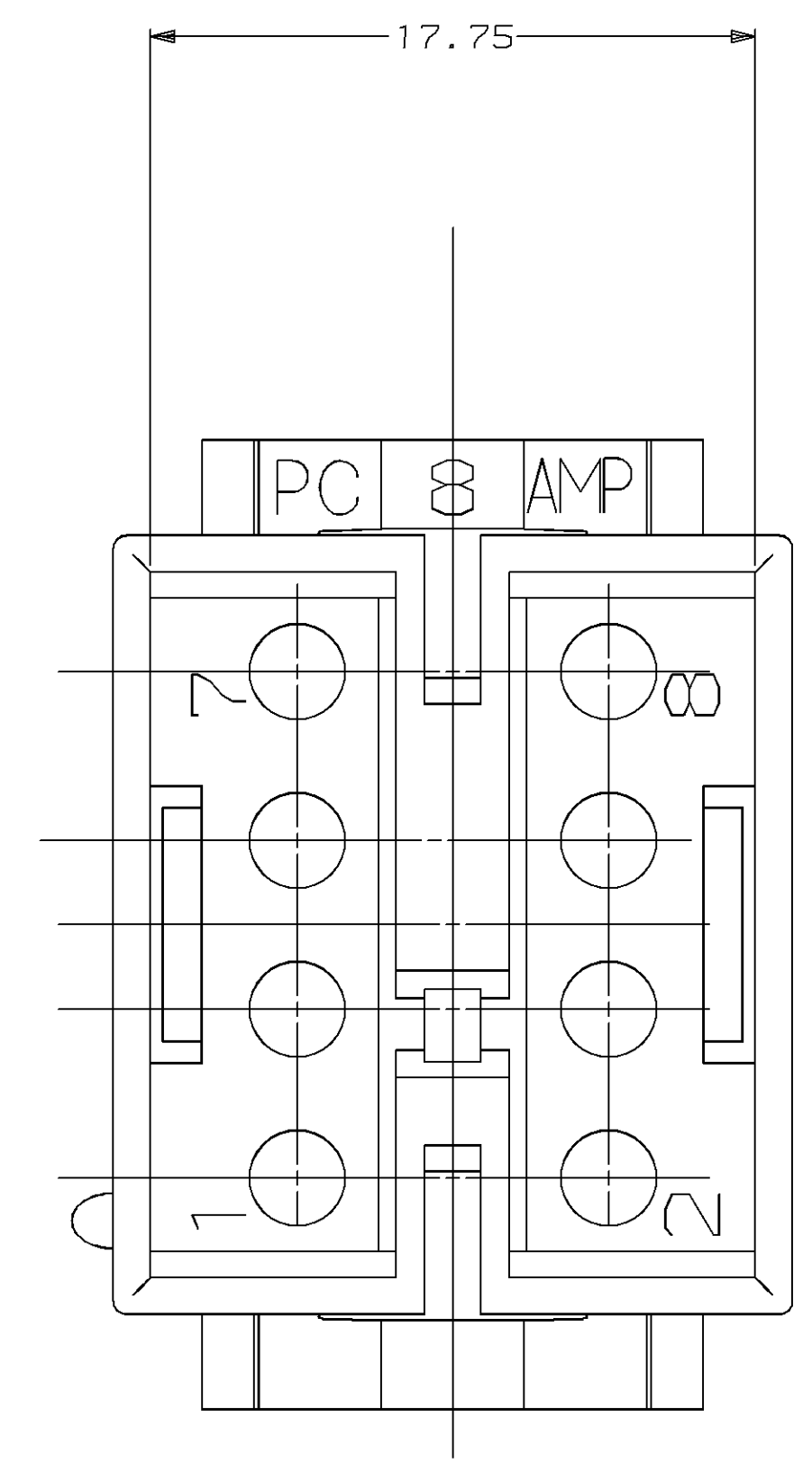
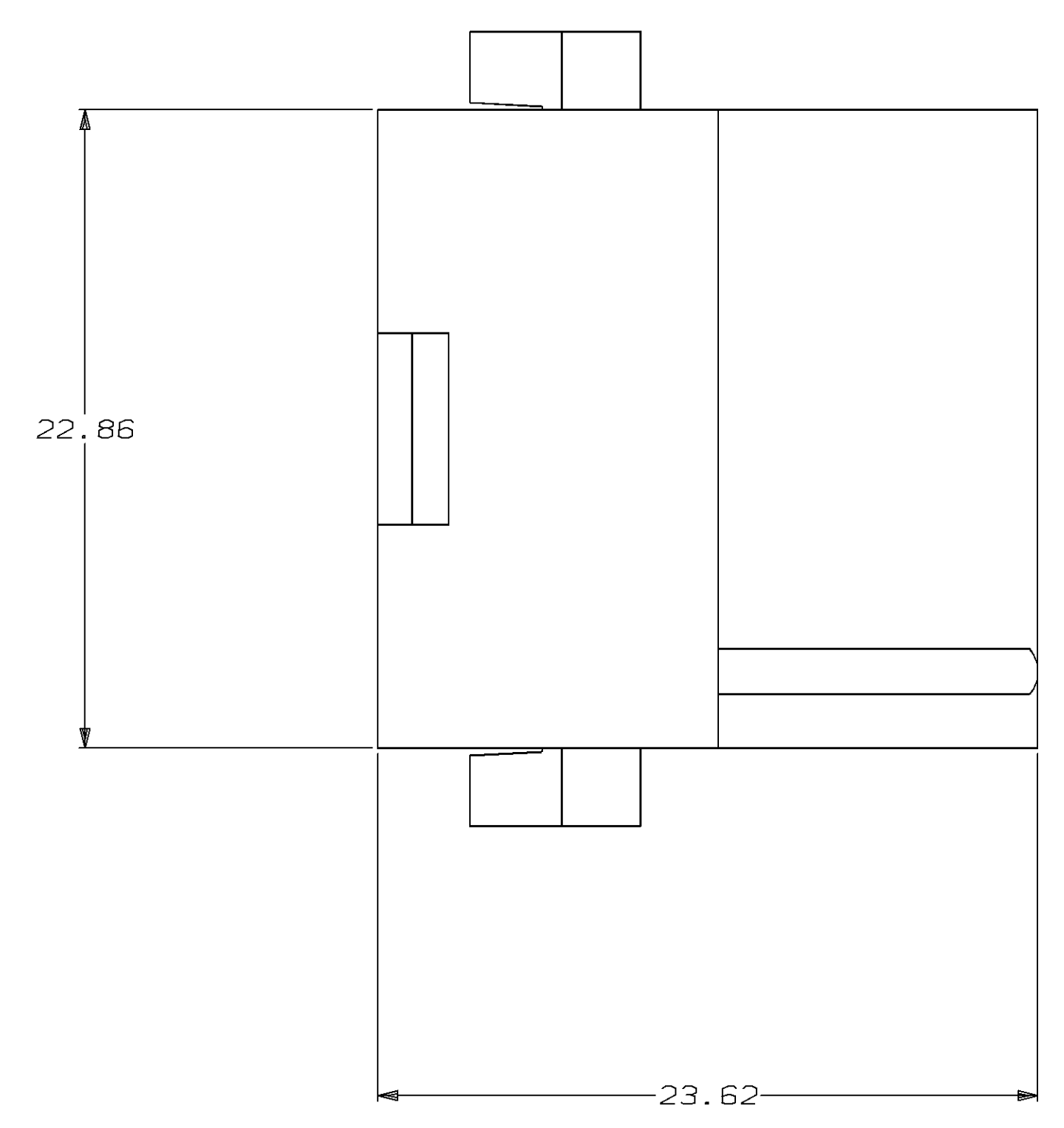
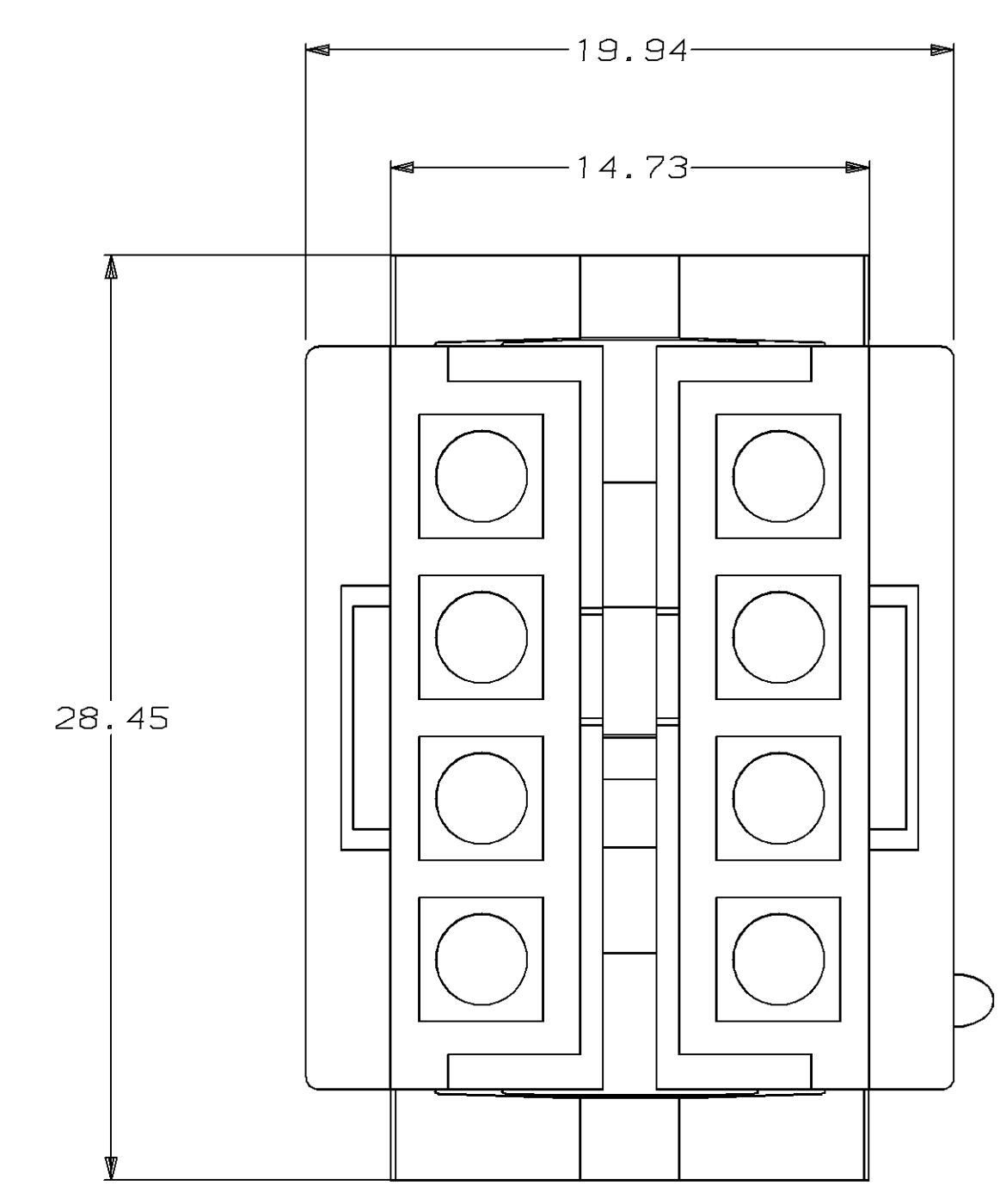
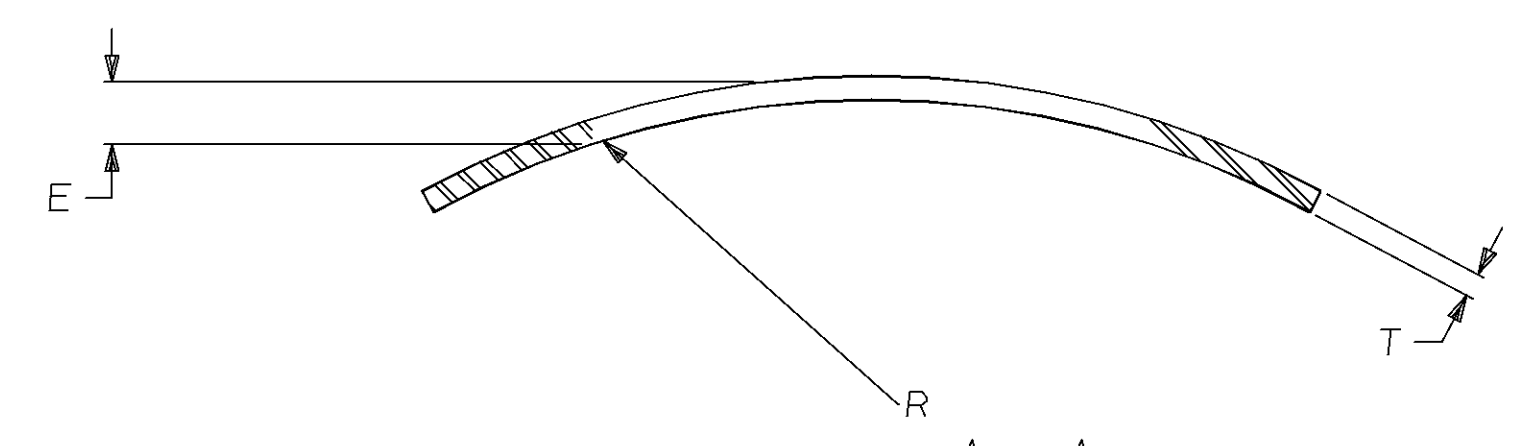


1. TO BE USED WITH DUAL LANCE MATE-N-LOK™ PINS.
2. TO BE USED WITH PLUG 480283.
3. EFFECTIVE PANEL THICKNESS 'E' IS 1.02-2.54 AND IS DEPENDENT ON 'T' AND 'R'.
4. CAP MUST BE INSERTED IN A ROCKING MANNER.
5. THE PANEL MUST BE PUNCHED SO THAT THE HOUSING ENTERS THE PANEL IN THE SAME DIRECTION AS THE PUNCH.
6. PANEL MUST NOT HAVE ANY MATERIAL (PAINT PORCLEAIN, ETC) APPLIED IN THE MOUNTING HOLE AREA THAT WOULD DECREASE RETENTION OF THE HOUSING IN THE PANEL.



3-DIMENSIONAL MODEL NTS

R 0.38 MAX ALL CORNERS



SECTION A-A

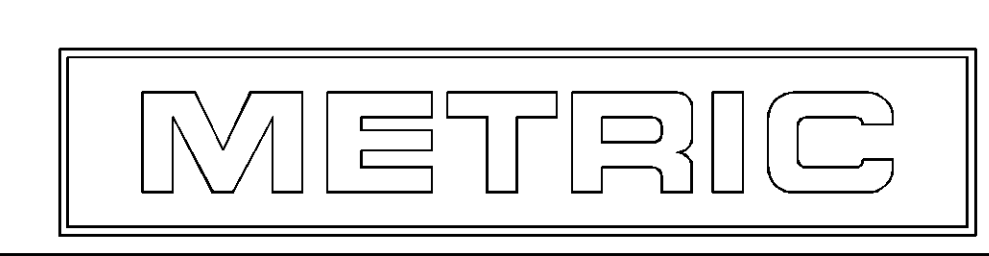
RECOMMENDED PANEL MOUNTING BRACKET

MM	IN	MM	IN
17.75	.699	-	-
14.86	.585	28.45	1.120
14.73	.580	23.62	.930
2.54	.100	23.11	.910
1.02	.040	22.86	.900
0.38	.015	19.94	.785

CONVERSION TABLE

794048-1
PART NUMBER

<small>SEE DRAWING FOR DIMENSIONS UNLESS OTHERWISE SPECIFIED. ALL DIMENSIONS ARE IN MILLIMETERS UNLESS OTHERWISE SPECIFIED.</small>		DATE: 08-05-94 BY: B. LEWIS CHECKED: J. SKING APPROVED: G. MARTIN	AMP AMP Incorporated Harrisburg, PA 17105-3608
DIMENSIONS: INCHES TOLERANCES UNLESS OTHERWISE SPECIFIED: .015 .030 .050 .100 .150 .300 .500 .750 1.000 1.500 2.000 3.000 4.000 5.000 6.000 8.000 10.000 15.000 20.000 30.000 40.000 50.000 75.000 100.000 150.000 200.000 300.000 400.000 500.000 750.000 1000.000	PRODUCT SPEC: 8 CIRCUIT CAP MATE-N-LOK™ APPLICATION SPEC:	PART: A000779 CASE CODE: C-794048 SCALE: 5:1 SHEET: 1 OF 1 REV: 0	CUSTOMER DRAWING



X-ON Electronics

Largest Supplier of Electrical and Electronic Components

Click to view similar products for [Pin & Socket Connectors](#) category:

Click to view products by [TE Connectivity](#) manufacturer:

Other Similar products are found below :

[6450822-1](#) [770392-1](#) [794042-1](#) [796885-1](#) [8-794535-1](#) [PLR3455ACS-222](#) [R929991004](#) [R929993003](#) [1403611-1](#) [1-480349-5](#) [152302-5](#)
[153211-2](#) [1586092-1](#) [1586129-1](#) [1586681-4](#) [1586700-1](#) [1586368-1](#) [1586380-1](#) [1586616-1](#) [1586680-5](#) [16-06-0038](#) [164164-5](#) [1-6609930-1](#)
[172296-1](#) [19-09-2035](#) [200503-1](#) [200788-2](#) [2029090-4](#) [2029095-4](#) [925061-7](#) [293734-4](#) [293737-2](#) [1-765362-4](#) [1-794606-3](#) [1871534-1](#)
[200833-4](#) [2008625-2](#) [2029027-2](#) [2029096-4](#) [R929991000](#) [R929991002](#) [R929993000](#) [319-10-101-00-005000](#) [319-10-102-00-001000](#)
[319-10-104-00-001000](#) [319-10-105-00-001000](#) [319-10-108-00-001000](#) [319-10-112-00-006000](#) [39-01-8019](#) [319-10-101-00-001000](#)