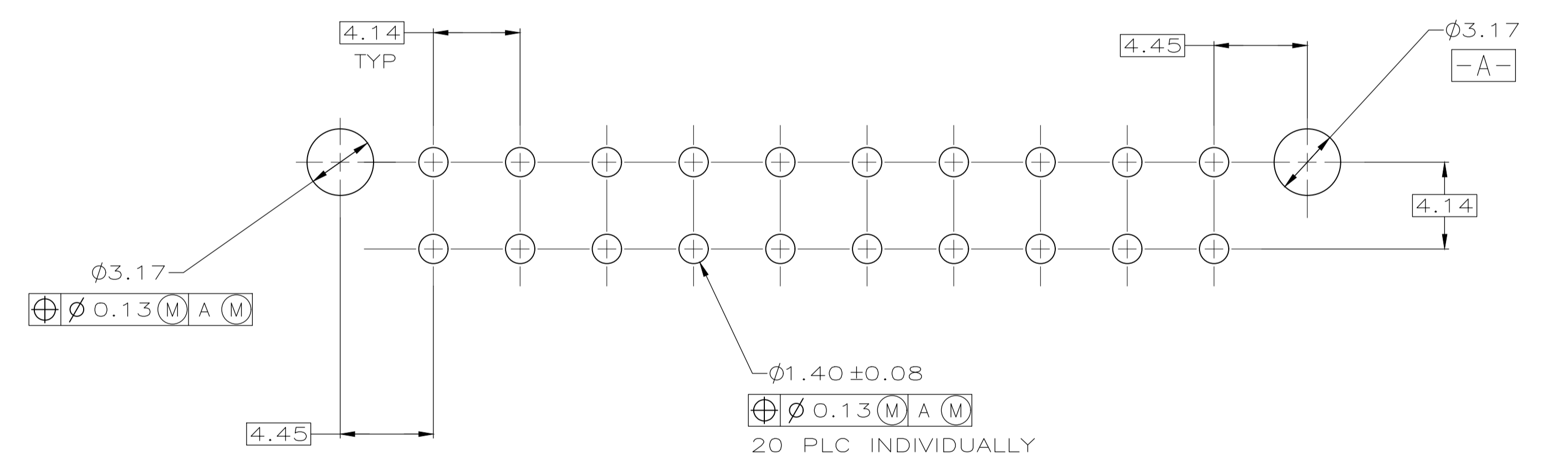
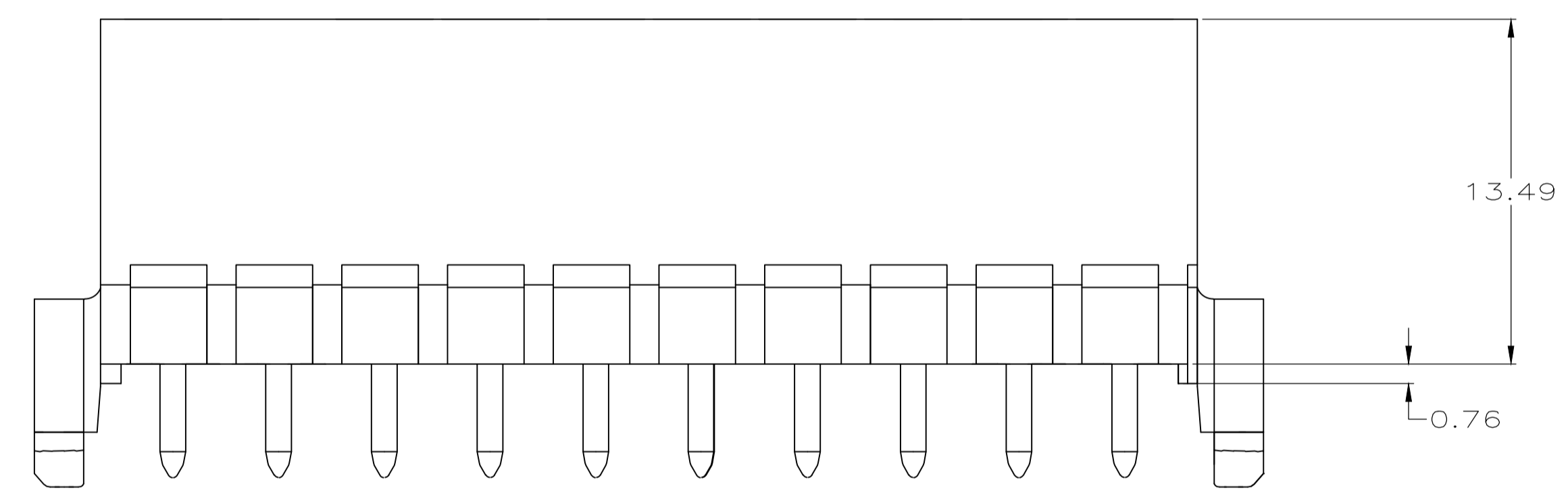
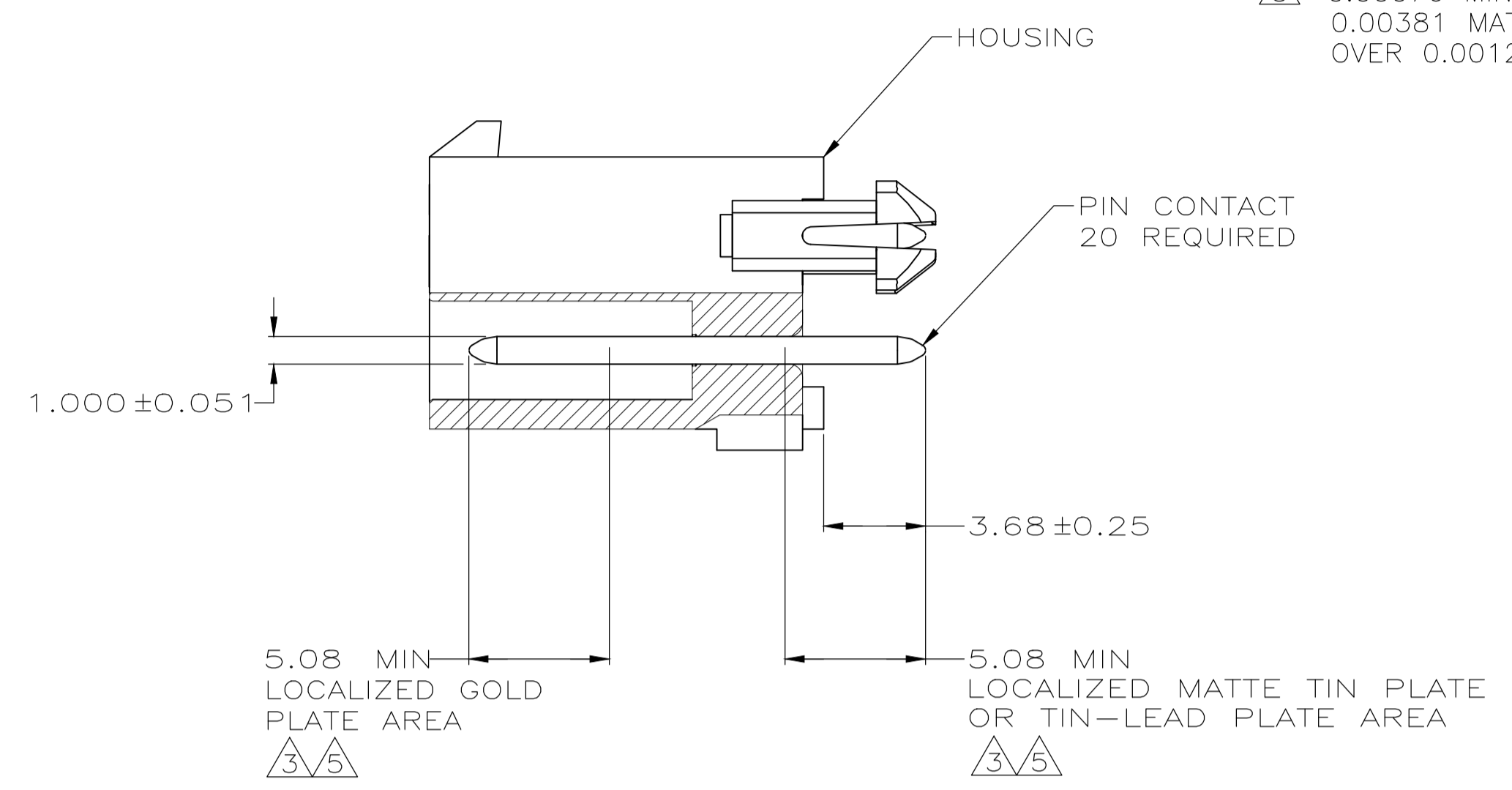
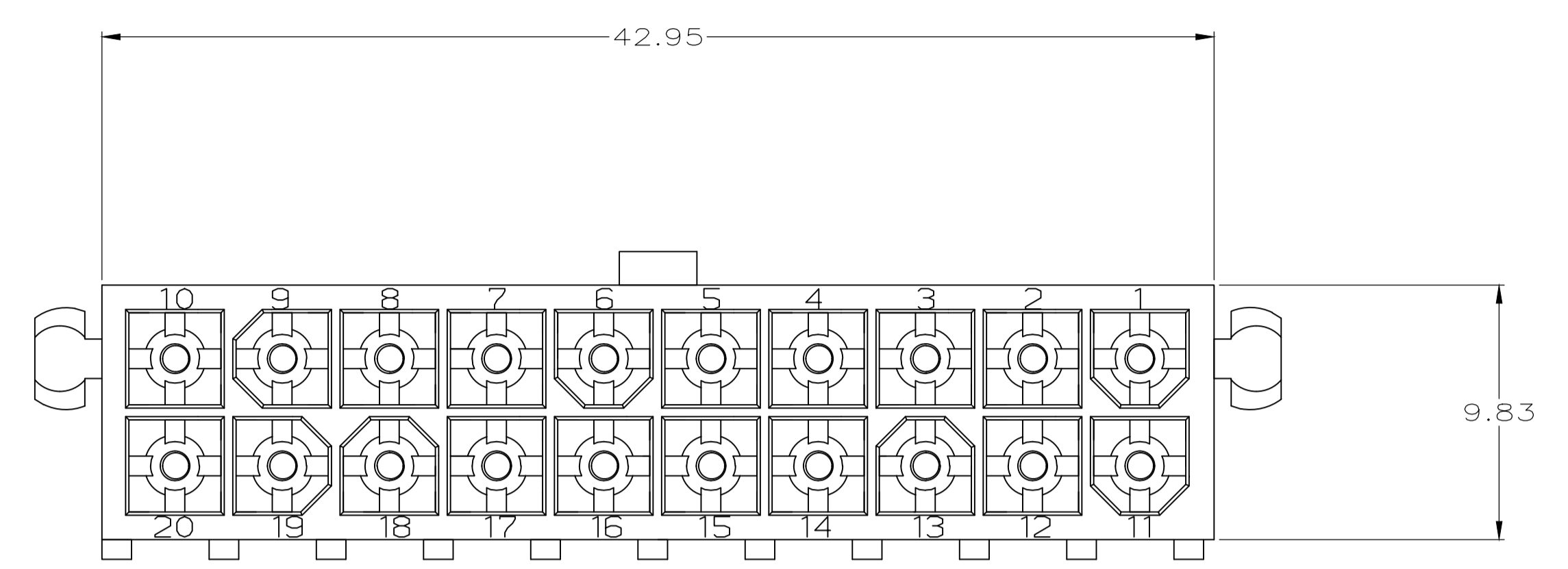
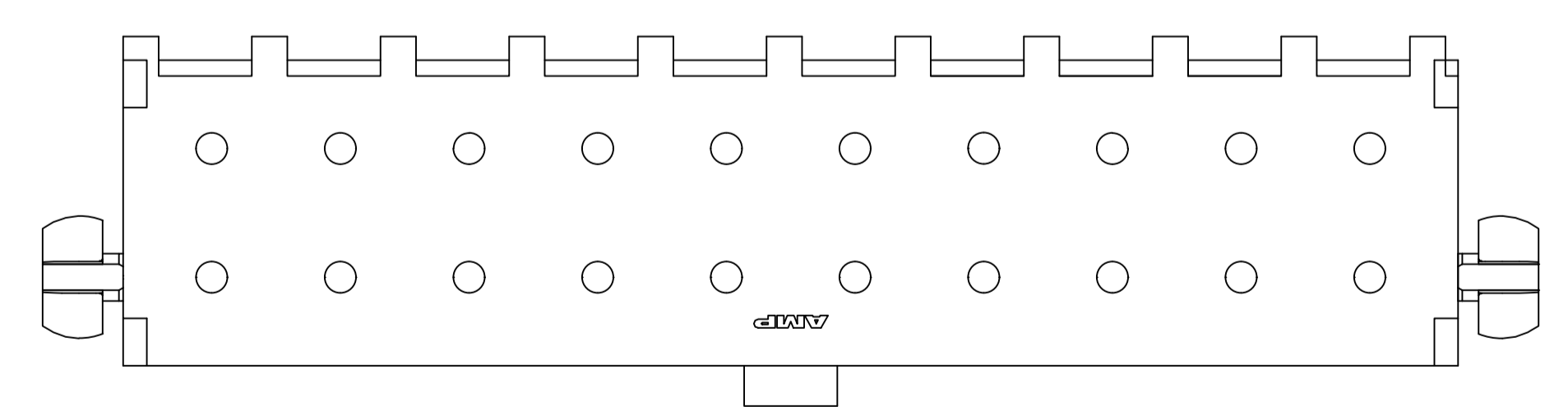


- PINS TO COMPLY WITH AMP SOLDERABILITY SPEC. 108-11-3.
- 0.00381 MIN MATTE TIN LEAD OVER 0.00127 MIN NICKEL.
- 0.00076 MIN GOLD PLATE IN THE LOCALIZED PLATE AREA, 0.00381 MATTE TIN LEAD IN THE LOCALIZED PLATE AREA, BOTH OVER 0.00127 MIN NICKEL.
- 0.00381 MIN MATTE TIN OVER 0.00127 MIN NICKEL.
- 0.00076 MIN GOLD PLATE IN THE LOCALIZED PLATE AREA, 0.00381 MATTE TIN IN THE LOCALIZED PLATE AREA, BOTH OVER 0.00127 MIN NICKEL.



RECOMMENDED MOUNTING HOLE PATTERN FOR 1.57 THICK P.C. BOARD



|                                 |                     |                            |
|---------------------------------|---------------------|----------------------------|
| BRASS, GOLD                     | NYLON, 94V-0, WHITE | 1-794077-1                 |
| BRASS, TIN                      | NYLON, 94V-0, WHITE | 1-794077-0                 |
| BRASS, GOLD                     | NYLON, 94V-0, WHITE | 794077-2                   |
| OBSOLETE                        | BRASS, TIN LEAD     | <del>794077-1</del>        |
| PIN CONTACT MATERIAL AND FINISH |                     | HOUSING MATERIAL AND COLOR |
|                                 |                     | PART NUMBER                |

THIS DRAWING IS A CONTROLLED DOCUMENT.

|                    |  |                        |                     |                       |                    |
|--------------------|--|------------------------|---------------------|-----------------------|--------------------|
| DIMENSIONS: mm     | TOLERANCES UNLESS OTHERWISE SPECIFIED: | DIN K WHITAKER 5-18-95 | CHK R SWING 5-18-95 | APVD R ORSTAD 6-13-95 | NAME               |
| 0 PLC ± -          | 1 PLC ± -                              | 2 PLC ± 0.13           | 3 PLC ± -           | 4 PLC ± -             | ANGLES ± -         |
| MATERIAL SEE TABLE | FINISH SEE TABLE                       | WEIGHT                 | SIZE A1             | CAGE CODE 00779       | DRAWING NO. 794077 |
| CUSTOMER DRAWING   |  | SCALE 5:1              | SHEET 1 OF 1        | REV E1                | RESTRICTED TO      |

STE TE Connectivity  
 HEADER ASSEMBLY, CLOSED BOTTOM, 20 CIRCUIT, DOUBLE ROW VERTICAL, MINI-UNIVERSAL MATE-N-LOK(TM)

## X-ON Electronics

Largest Supplier of Electrical and Electronic Components

*Click to view similar products for [Pin & Socket Connectors](#) category:*

*Click to view products by [TE Connectivity](#) manufacturer:*

Other Similar products are found below :

[6450822-1](#) [770392-1](#) [794042-1](#) [796885-1](#) [8-794535-1](#) [881459-2](#) [R929993003](#) [1-350779-3](#) [1403611-1](#) [1-480349-5](#) [1586092-1](#) [1586129-1](#)  
[1586487-1](#) [1586681-4](#) [1586700-1](#) [1586065-1](#) [1586077-1](#) [1586368-1](#) [1586380-1](#) [1586680-5](#) [1586681-2](#) [1604996-1](#) [16-06-0038](#) [164164-5](#) [1-](#)  
[6609930-1](#) [172296-1](#) [1-794714-6](#) [19-09-2035](#) [1969804-1](#) [200503-1](#) [200788-2](#) [201046-7](#) [202648-4](#) [2029076-2](#) [2029090-4](#) [2029095-4](#) [2-](#)  
[66102-6](#) [925061-7](#) [926681-1](#) [293734-4](#) [293737-2](#) [1-765362-4](#) [1-794606-3](#) [1871534-1](#) [1969795-1](#) [1969798-1](#) [1969800-1](#) [200833-4](#)  
[2008625-2](#) [2029027-2](#)