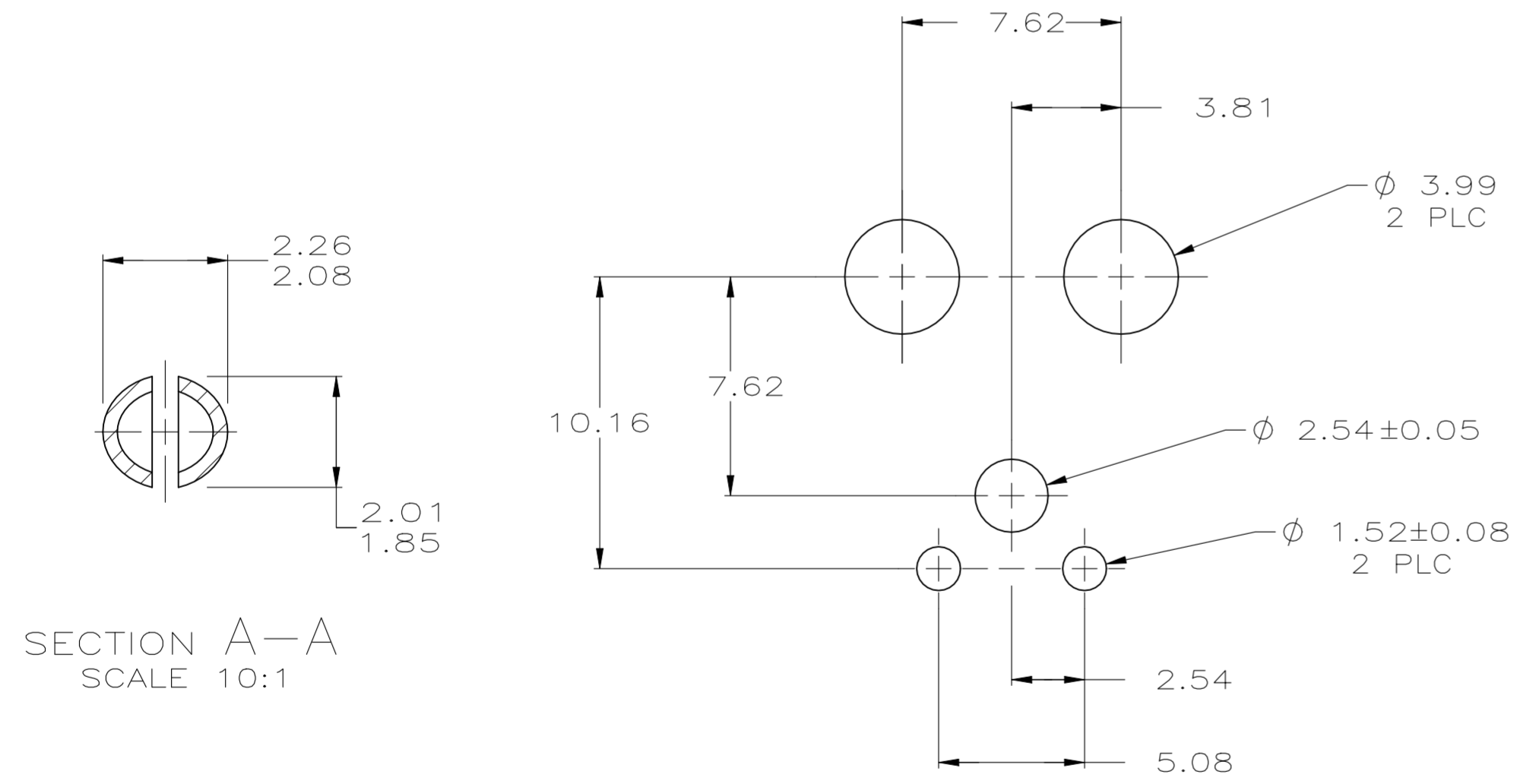
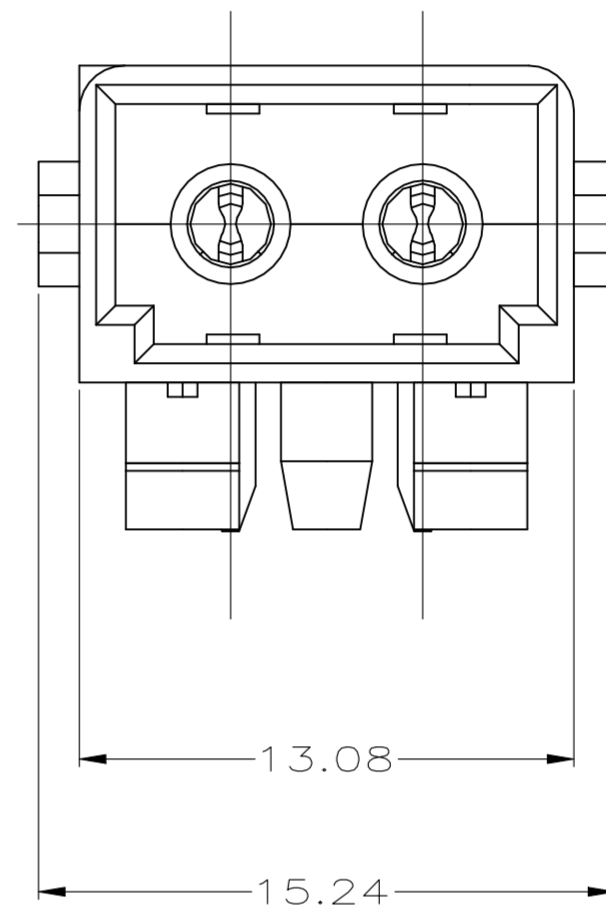
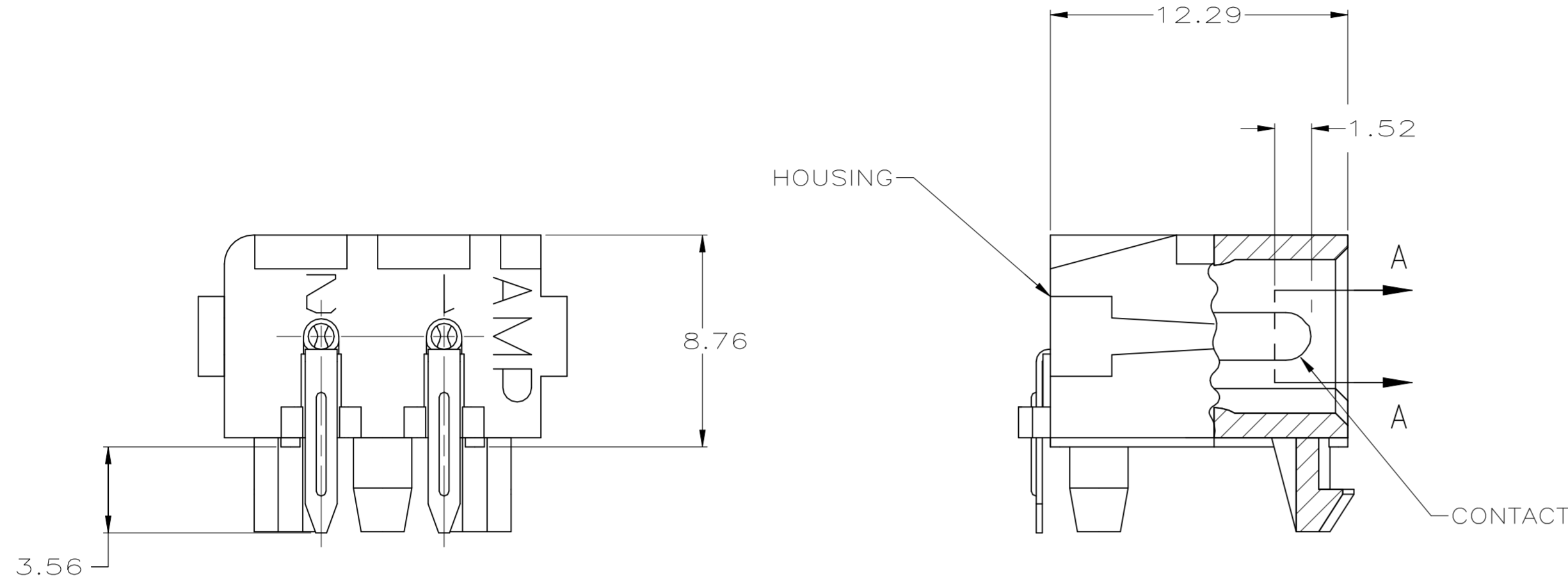


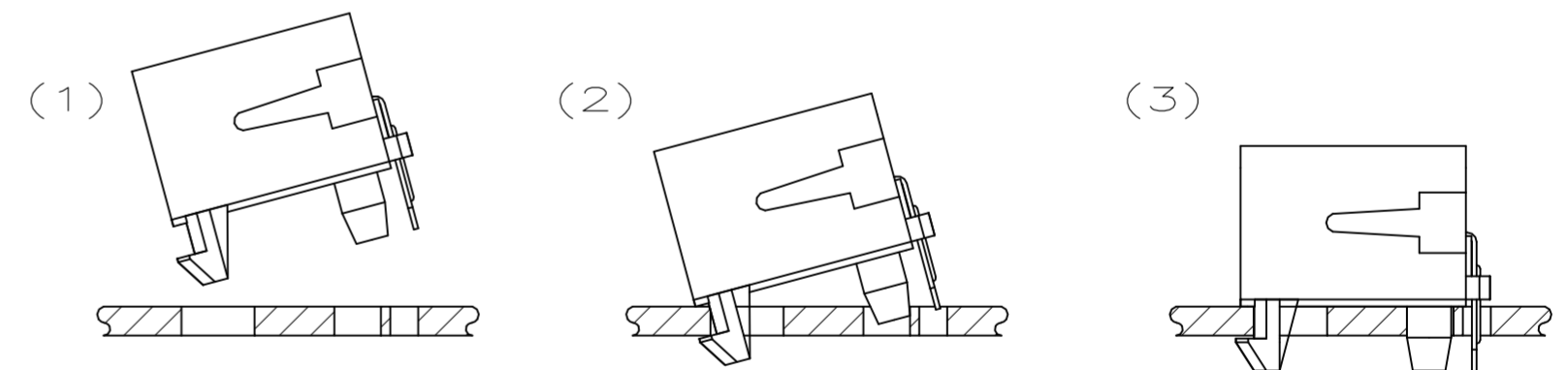
THIS DRAWING IS UNPUBLISHED. RELEASED FOR PUBLICATION  
 © COPYRIGHT BY TYCO ELECTRONICS CORPORATION. ALL INTERNATIONAL RIGHTS RESERVED.

LOC	DIST	REVISIONS				
P	LTR	DESCRIPTION	DATE	DWN	APVD	
CM	53	C1	REVISED PER ECR-21-117185	22OCT2021	PJ VS	

- PARTS COMPLY WITH AMP SOLDERABILITY SPEC. 109-11-3.
- RECOMMENDED EXPOSURE TO SOLDER WAVE (254° C, 490°F) NOT TO EXCEED 5 SECONDS.
- DIMENSION SHOWN REPRESENT PRODUCT IN DRY CONDITION. ADDITIONAL 2% GROWTH DUE TO END USE LOCATION MOISTURE ABSORPTION MAY OCCUR AND SHOULD BE ACCOUNTED FOR.



RECOMMENDED MOUNTING HOLE PATTERN FOR 1.58 THICK P.C. BOARD

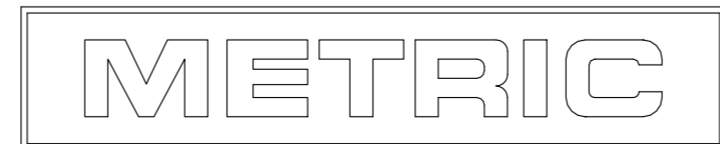


MOUNTING PROCEDURE

COPPER ALLOY	PRE-TIN	NYLON, UL94V-0	NATURAL	794120-2
COPPER ALLOY	PRE-TIN	NYLON, UL94V-2	NATURAL	794120-1
MATERIAL	FINISH	MATERIAL	COLOR	PART NO
CONTACT			HOUSING	

MM	IN	MM	IN	MM	IN
2.01	.079	5.08	.200	-	-
1.85	.073	3.99	.157	15.24	.600
1.58	.062	3.81	.150	13.08	.515
1.52	.060	3.56	.140	12.29	.484
0.38	.015	2.54	.100	10.16	.400
0.08	.003	2.26	.089	8.76	.345
0.05	.002	2.08	.082	7.62	.300

CONVERSION TABLE



THIS DRAWING IS A CONTROLLED DOCUMENT.

DIMENSIONS: mm	TOLERANCES UNLESS OTHERWISE SPECIFIED:	DWN B. LEWIS 4-25-96	Tyco Electronics Corporation Harrisburg, PA 17105-3608
	0 PLC ± -	CHK R. SWING 4-25-96	
	1 PLC ± -	APVD C. MARTIN 4-25-96	
	2 PLC ± 0.38	PRODUCT SPEC	
MATERIAL SEE TABLE	FINISH SEE TABLE	APPLICATION SPEC -	NAME
		WEIGHT -	SIZE A2
		CUSTOMER DRAWING	CAGE CODE 00779
			DRAWING NO C=794120
			RESTRICTED TO -
			SCALE 5:1 SHEET 1 OF 1 REV C1

## X-ON Electronics

Largest Supplier of Electrical and Electronic Components

*Click to view similar products for [Pin & Socket Connectors](#) category:*

*Click to view products by [TE Connectivity](#) manufacturer:*

Other Similar products are found below :

[6450822-1](#) [770392-1](#) [794042-1](#) [796885-1](#) [8-794535-1](#) [PLR3455ACS-222](#) [R929991004](#) [R929993003](#) [1403611-1](#) [1-480349-5](#) [152302-5](#)  
[153211-2](#) [1586092-1](#) [1586129-1](#) [1586681-4](#) [1586700-1](#) [1586368-1](#) [1586380-1](#) [1586616-1](#) [1586680-5](#) [16-06-0038](#) [164164-5](#) [1-6609930-1](#)  
[172296-1](#) [19-09-2035](#) [200503-1](#) [200788-2](#) [2029090-4](#) [2029095-4](#) [925061-7](#) [293734-4](#) [293737-2](#) [1-765362-4](#) [1871534-1](#) [200833-4](#)  
[2008625-2](#) [2029027-2](#) [2029096-4](#) [R929991000](#) [R929991002](#) [R929993000](#) [319-10-101-00-005000](#) [319-10-102-00-001000](#) [319-10-104-00-001000](#) [319-10-105-00-001000](#) [319-10-108-00-001000](#) [319-10-112-00-006000](#) [39-01-8019](#) [319-10-101-00-001000](#) [319-10-102-00-005000](#)