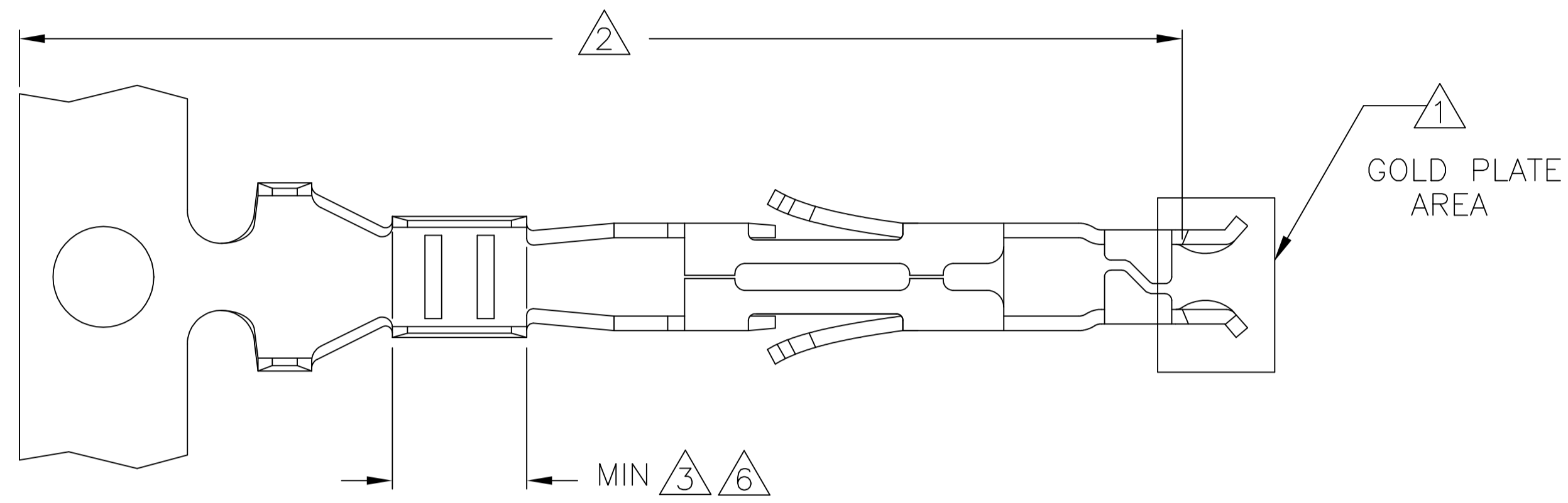
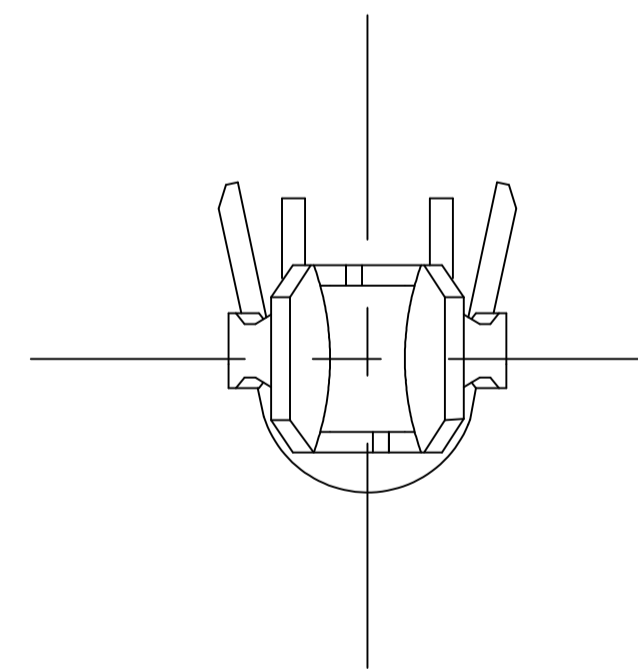
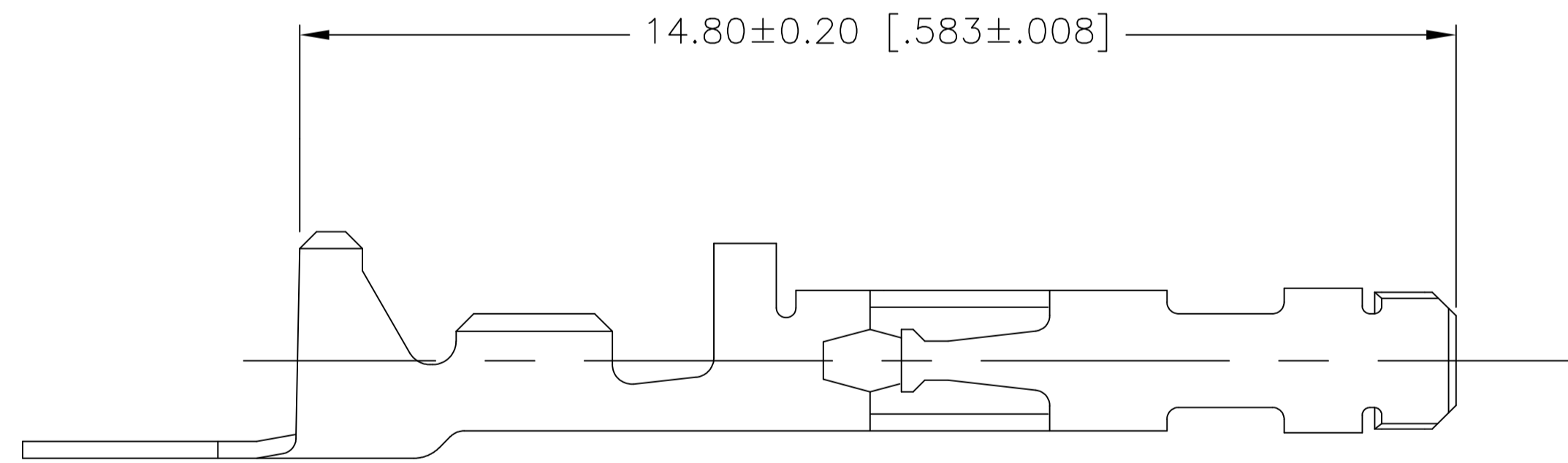


THIS DRAWING IS UNPUBLISHED. RELEASED FOR PUBLICATION
 © COPYRIGHT - TE Connectivity ALL RIGHTS RESERVED.

REVISIONS					
P	LTR	DESCRIPTION	DATE	DWN	APVD
L		REVISED PER ECO-18-012589	13AUG2018	TZ	DZ



- ① FINISH: 0.76μm MIN GOLD OVER 1.27μm MIN NICKEL REQUIRED ON INNER SURFACE, PERMITTED ON OUTER SURFACE.
- ② FINISH: NICKEL BASE PLATE ON ALL SURFACES IN THIS AREA.
- ③ FINISH: 2.54μm MIN TIN-LEAD ON ALL SURFACES IN THIS AREA.
- 4. WIRE RANGE: 0.12-0.35mm² (26-22 AWG).
- 5. INSULATION RANGE; ø1.20-1.75 [ø.047-.069]
- ⑥ FINISH: 2.54μm MINIMUM TIN ON ALL SURFACES IN THIS AREA.



1-794142-3	①②⑥	0.22 [.009] PH BRZ	1-794139-3
794142-3	①②③	0.22 [.009] PH BRZ	794139-3
REFERENCE LOOSE PIECE	FINISH	MATERIAL	PART NUMBER

THIS DRAWING IS A CONTROLLED DOCUMENT.		DWN S. HOOVER 26-SEP-2002				
DIMENSIONS: mm		CHK D. COLEY 26-SEP-2002				
TOLERANCES UNLESS OTHERWISE SPECIFIED:		APVD D. COLEY 26-SEP-2002	NAME CONTACT, SOCKET, AMP-DUAC™ POWER CONNECTOR			
0 PLC ±		PRODUCT SPEC 108-1646	SIZE A2	CAGE CODE 00779	DRAWING NO C=794139	RESTRICTED TO -
1 PLC ±		APPLICATION SPEC 114-6067	SCALE 10:1	SHEET 1 of 1	REV L	
2 PLC ± 0.10 [.004]		WEIGHT 0.000000	CUSTOMER DRAWING			
3 PLC ±		FINISH				
4 PLC ±						
ANGLES ± 0° 30'						

X-ON Electronics

Largest Supplier of Electrical and Electronic Components

Click to view similar products for te connectivity manufacturer:

Other Similar products are found below :

[570416-000](#) [CLTEQ-M81CE-SSRELAY-4-20V](#) [D38999/24FJ4AN](#) [358838-000](#) [4-1195131-0](#) [650069-000](#) [SMD100-2](#) [CB-1022B-78](#)
[RM707012](#) [RP410012](#) [MMS42](#) [1-640426-8](#) [2EDL4CM](#) [DTS20W19-11PD-3028-LC](#) [RM202615](#) [NC6-P104-06](#) [TXR64AB90-3616AI](#)
[MSPS103B](#) [DTS26F21-41AE](#) [DTS26F21-41PE-LC](#) [DTS26F21-11SE-3028-LC](#) [1932144-1](#) [293545-4](#) [LVR125S](#) [MS27466T25F4PB](#) [CKB-](#)
[38-78010](#) [1206SFF150F/63-2](#) [5-2027513-8](#) [D38999/20JB35HA](#) [D38999/24WJ20PA](#) [1754138-1](#) [TE1500A2R2J](#) [DTS24F25-29PC-3028-LC](#)
[164-8033-08](#) [D38999/24WG11HA](#) [D38999/24WG11HN](#) [MS27467T21F11H](#) [DJT16E21-11HA](#) [1206SFH150F/24-2](#) [1-532955-3](#) [DTS24F19-](#)
[11SC-3028-LC](#) [DTS24F21-41HN-LC](#) [DTS24F21-41AN](#) [DTS24F21-41PN-LC](#) [DBAS 70-7-0 SN 090-1A SCC](#) [MS27467T21F35J](#)
[MS27467T21F11J](#) [MS27467T21F16H-LC](#) [MS27467T21F35H](#) [MS27467T21F41H-LC](#)