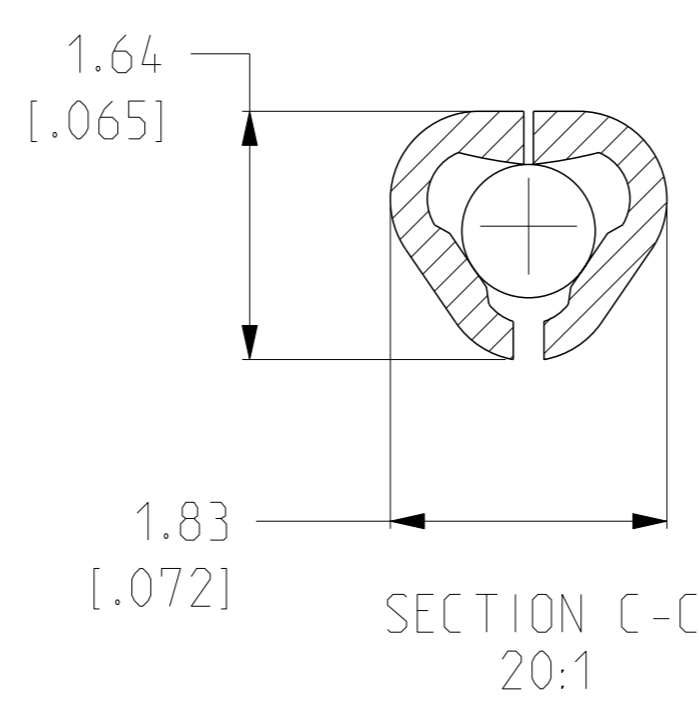
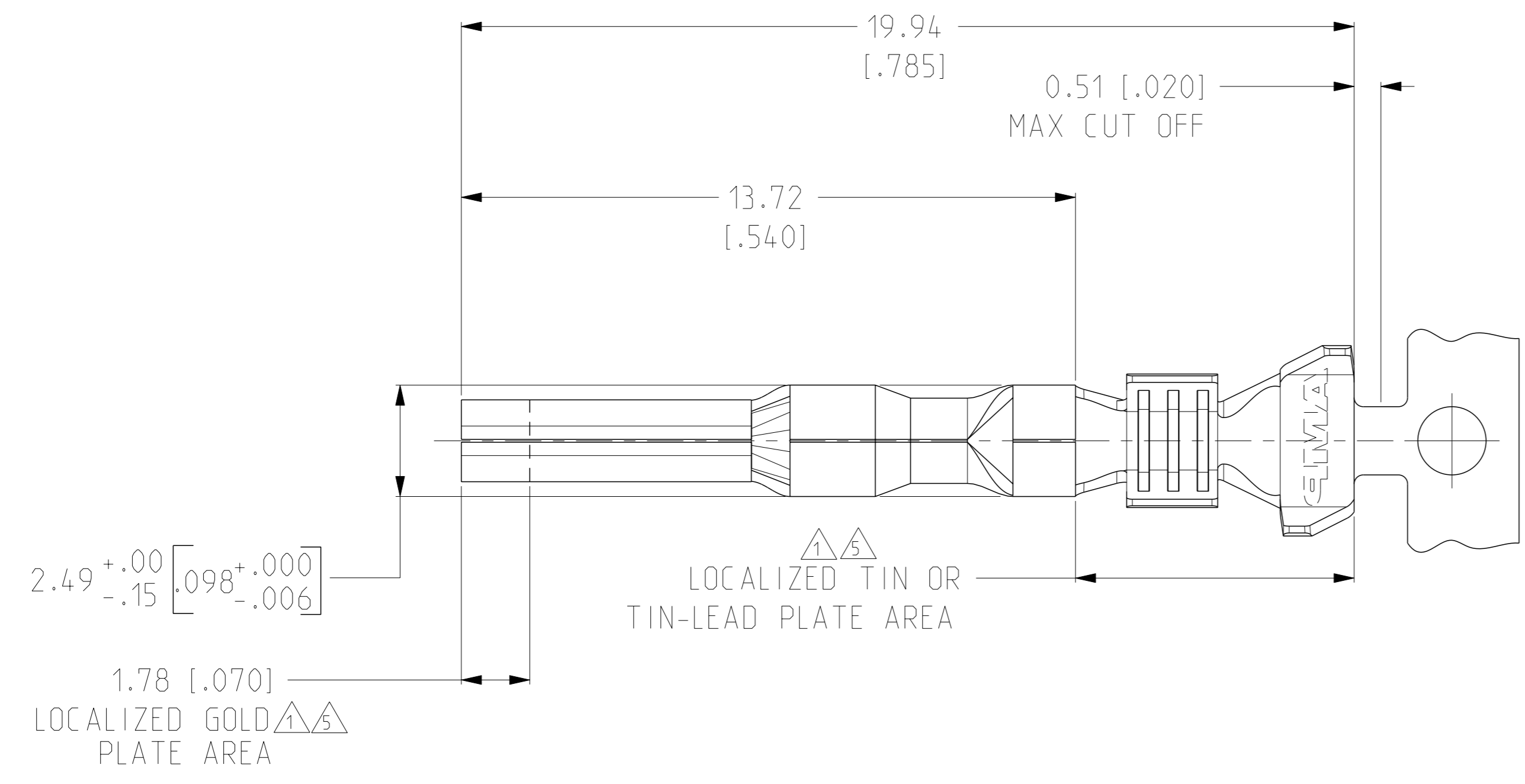
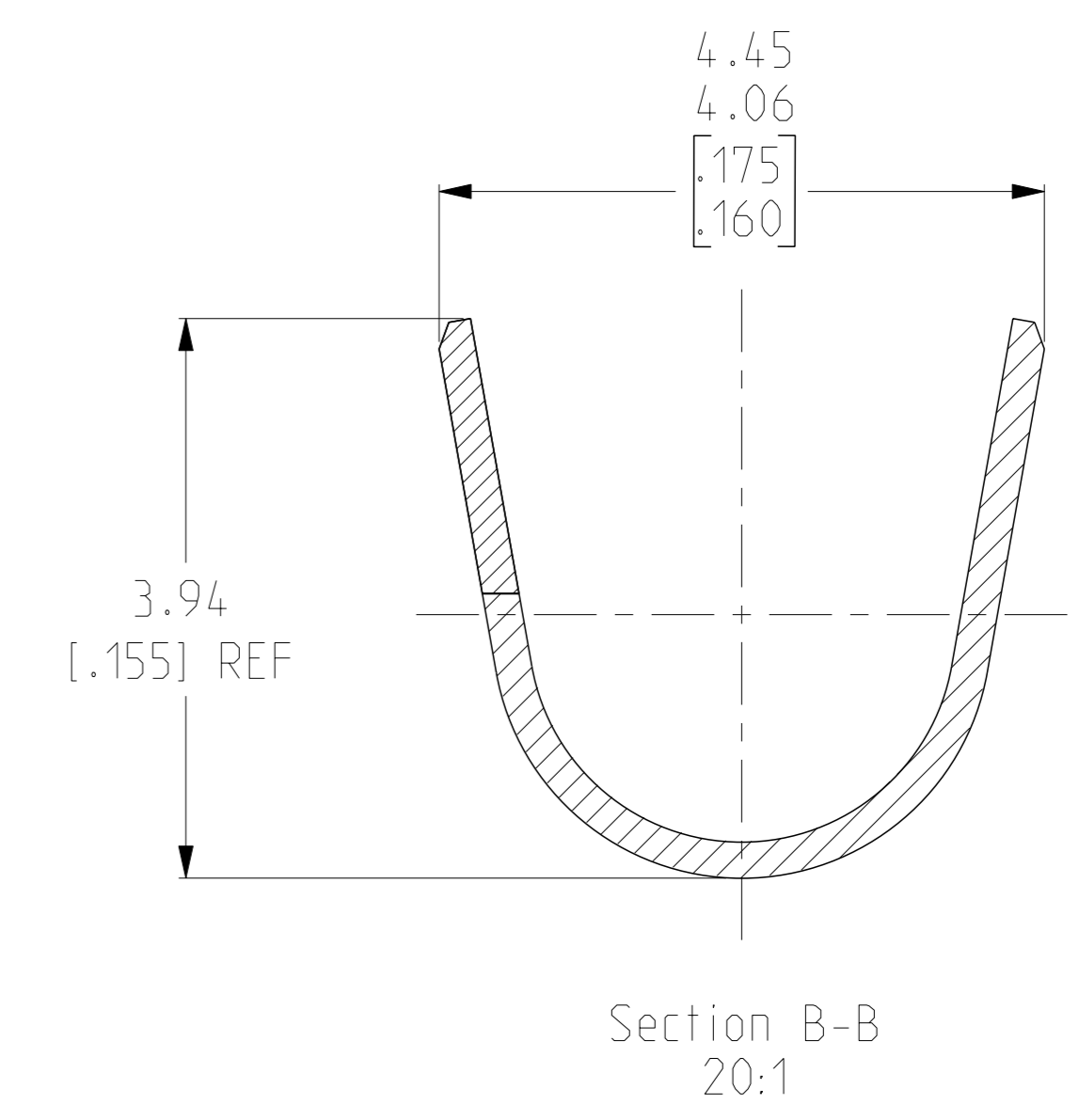
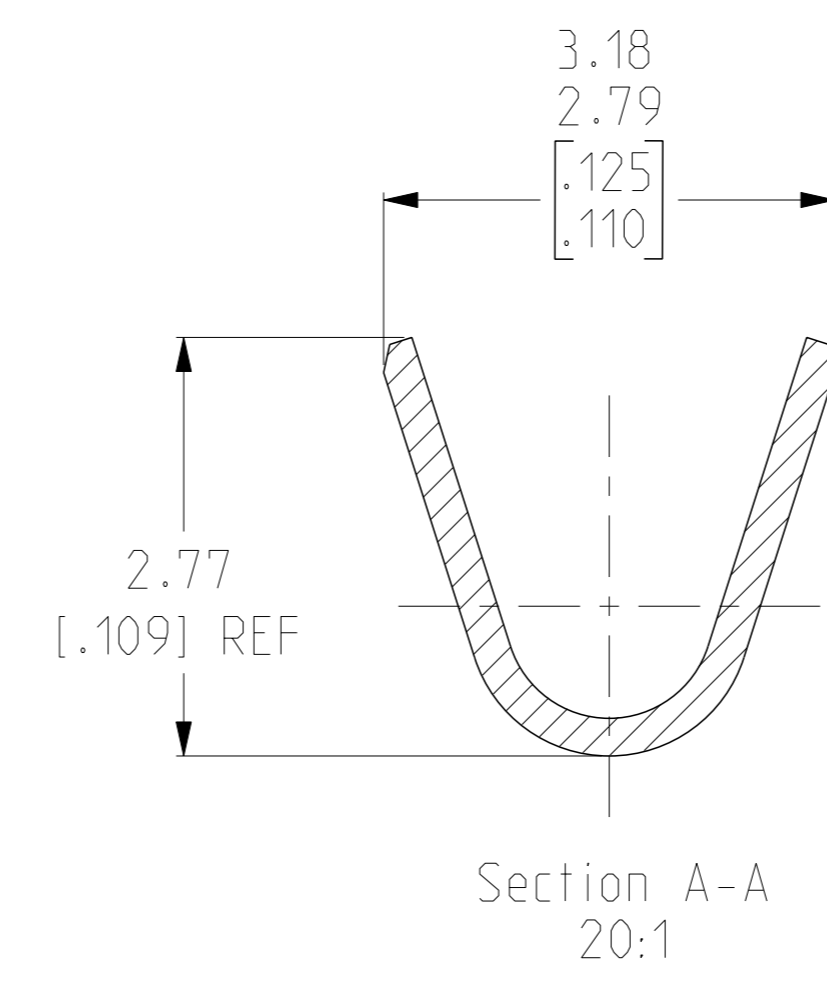
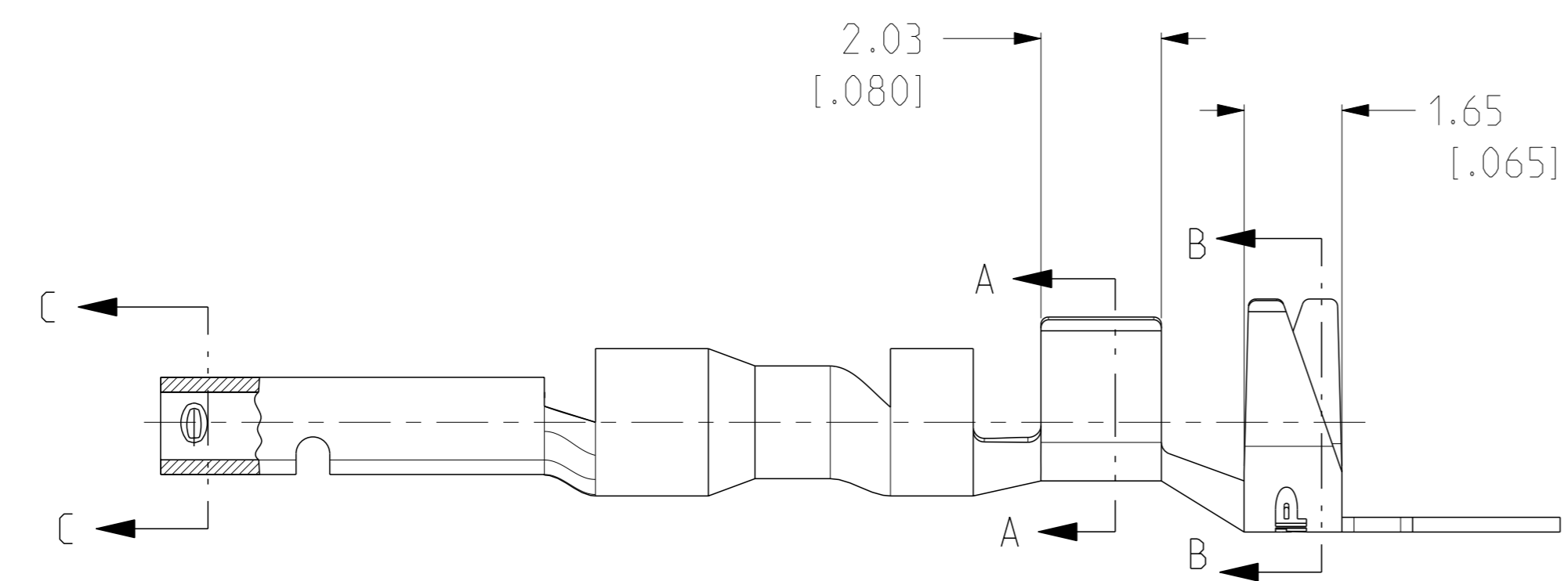


REVISIONS				
#	DATE	DESCRIPTION	DATE	OWN
J		REVISED PER ECR-17-013000	30OCT2018	BDA SG

- 1 0.00076 [.000030] MIN GOLD IN LOCALIZED GOLD PLATE AREA AND 0.00254-0.00635 [.000100-.000250] BRIGHT TIN-LEAD IN LOCALIZED TIN-LEAD PLATE AREA OVER 0.00127 [.000050] MIN NICKEL.
- 2 WIRE RANGE: 0.5-1.4MM² (20-16 AWG).
- 3 INSULATION RANGE: 2.01-3.20(.079-.126) DIA.
- 4 DIMENSIONS IN BRACKETS ARE IN INCHES.

- 1 0.00076 [.000030] MIN GOLD IN LOCALIZED GOLD PLATE AREA AND 0.00254-0.00635 [.000100-.000250] BRIGHT TIN IN LOCALIZED TIN PLATE AREA OVER 0.00127 [.000050] MIN NICKEL.



1	MAKE FROM 794223-2	1-794223-0
2	MAKE FROM 794223-2	794223-3
PRE TIN	.0098±.0004 X .970±.002 H06, 6-702456-6, BRASS, PER TE SPEC. 100-86	794223-1
FINISH	MATERIAL	PART NUMBER

THIS DRAWING IS A CONTROLLED DOCUMENT.		OWN S. CARPENTER 21MAY2003	TE Connectivity	
DIMENSIONS: mm		CHK C. JONES 21MAY2003		
TOLERANCES UNLESS OTHERWISE SPECIFIED:		APVD C. JONES 21MAY2003	NAME SOCKET, MINI UNIVERSAL MATE-N-LOK™2	
0 PLC ±		PRODUCT SPEC	SIZE	
1 PLC ±		APPLICATION SPEC	CAGE CODE	
2 PLC ±			DRAWING NO	
3 PLC ±			RESTRICTED TO	
4 PLC ±			SCALE	
ANGLES ±			SHEET	
FINISH			OF	
MATERIAL SEE TABLE	SEE TABLE	WEIGHT	1	
			REV	
			J	

X-ON Electronics

Largest Supplier of Electrical and Electronic Components

Click to view similar products for [Pin & Socket Connectors](#) category:

Click to view products by [TE Connectivity](#) manufacturer:

Other Similar products are found below :

[6450822-1](#) [770392-1](#) [794042-1](#) [796885-1](#) [8-794535-1](#) [PLR3455ACS-222](#) [R929991004](#) [R929993003](#) [1403611-1](#) [1-480349-5](#) [152302-5](#)
[153211-2](#) [1586092-1](#) [1586129-1](#) [1586681-4](#) [1586700-1](#) [1586368-1](#) [1586380-1](#) [1586616-1](#) [1586680-5](#) [16-06-0038](#) [164164-5](#) [1-6609930-1](#)
[172296-1](#) [19-09-2035](#) [200503-1](#) [200788-2](#) [2029090-4](#) [2029095-4](#) [925061-7](#) [293734-4](#) [293737-2](#) [1-765362-4](#) [1871534-1](#) [200833-4](#)
[2008625-2](#) [2029027-2](#) [2029096-4](#) [R929991000](#) [R929991002](#) [R929993000](#) [319-10-101-00-005000](#) [319-10-102-00-001000](#) [319-10-104-00-001000](#) [319-10-105-00-001000](#) [319-10-108-00-001000](#) [319-10-112-00-006000](#) [39-01-8019](#) [319-10-101-00-001000](#) [319-10-102-00-005000](#)