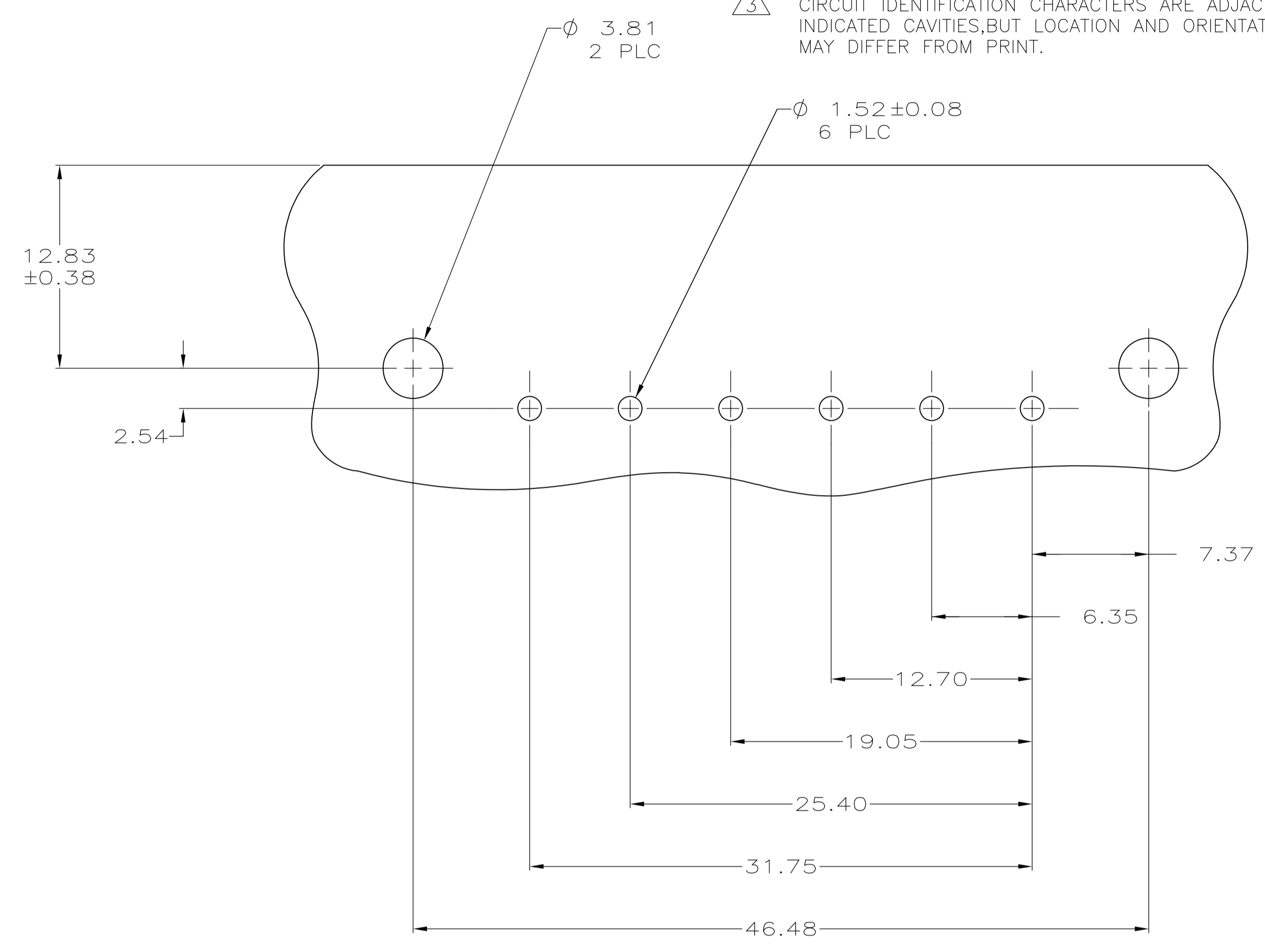
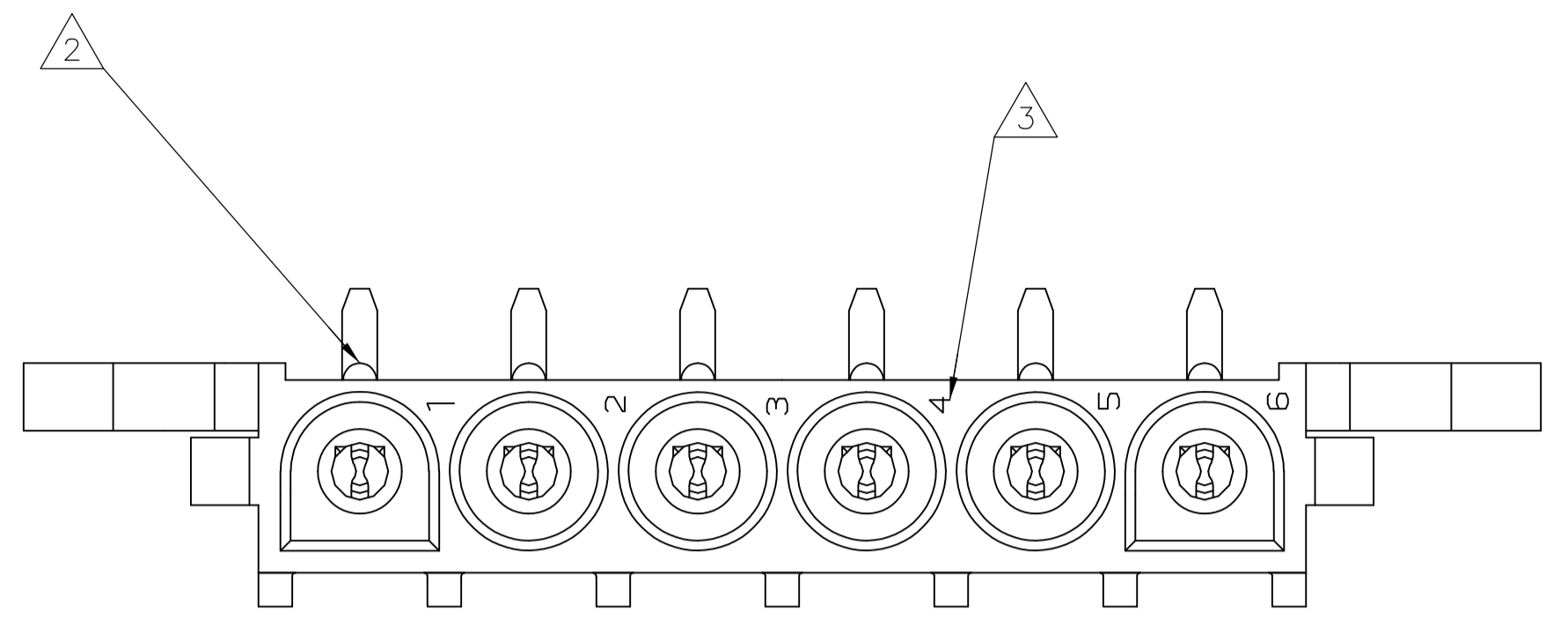
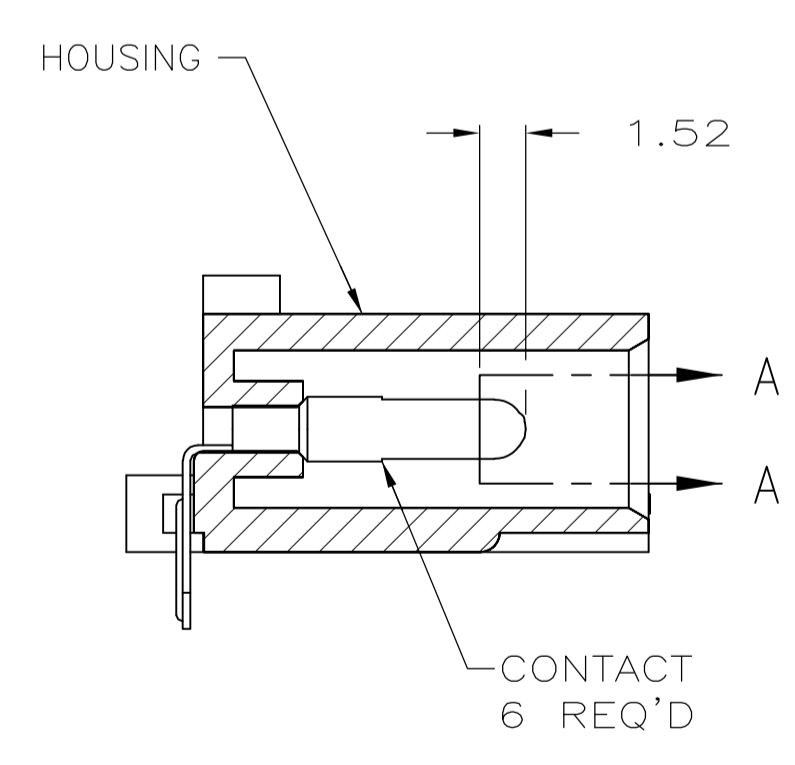
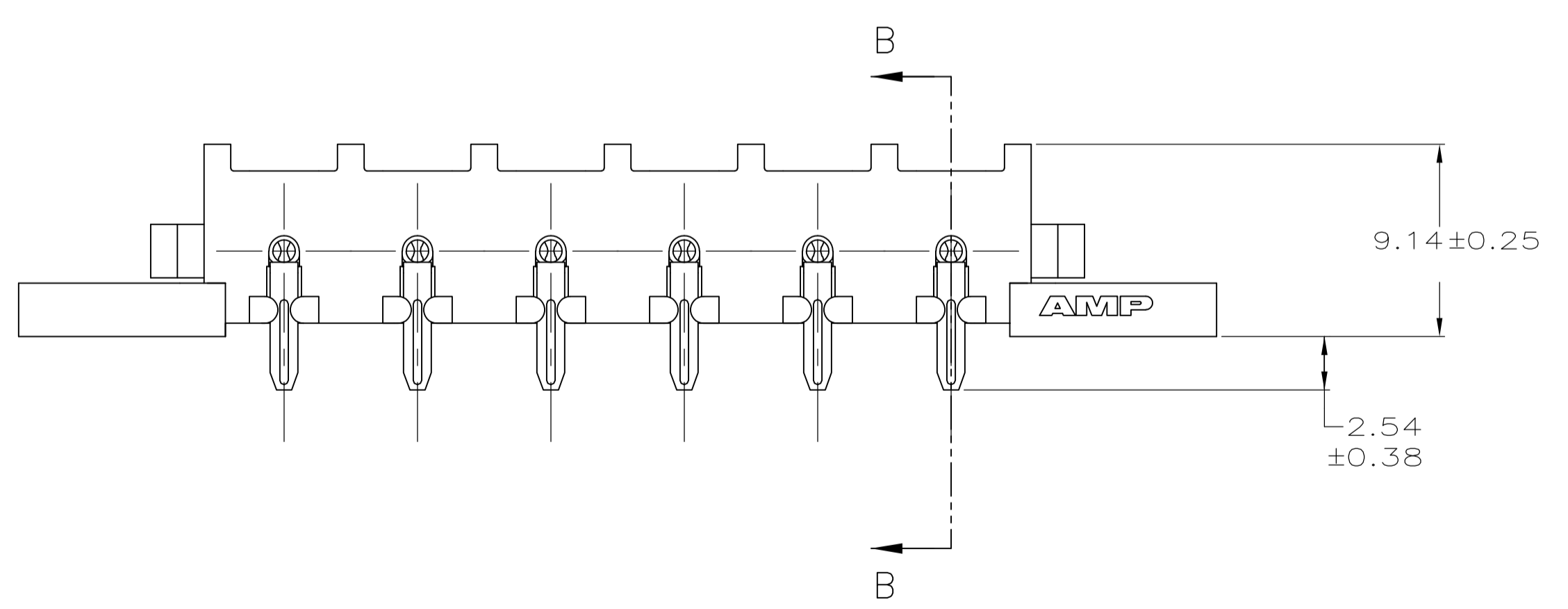
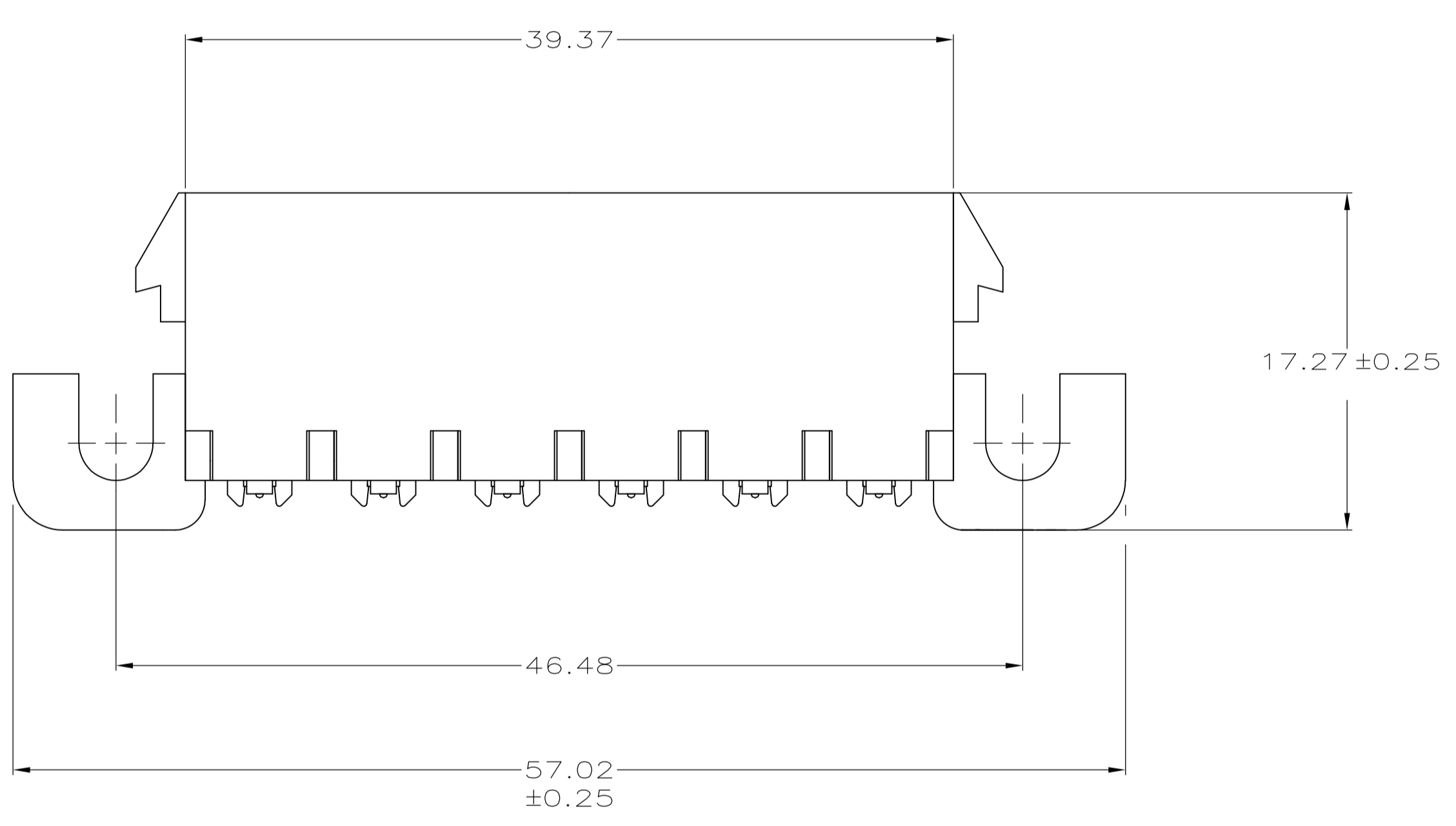


LOC		DIST		REVISIONS			
CM	53	REV	DATE	DESCRIPTION	DATE	BY	APP'D
		D	23OCT2013	REVISED PER ECR-13-010643		KH	TM

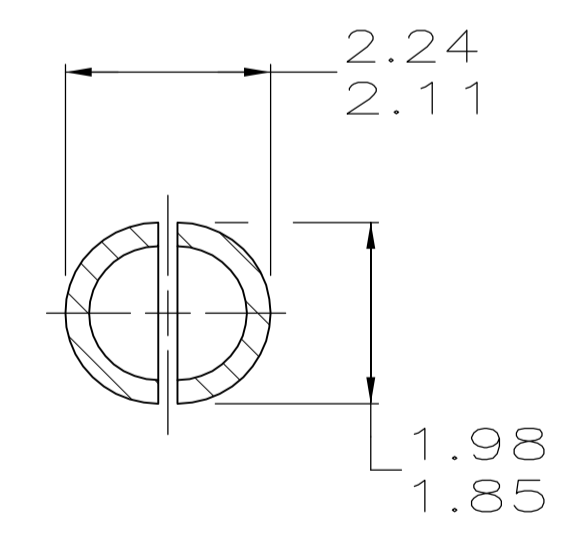
- 1 PARTS COMPLY WITH AMP SOLDERABILITY SPEC 109-11-5.
- 2 OPTIONAL CONSTRUCTION MAY DELETE THIS RIB.
- 3 CIRCUIT IDENTIFICATION CHARACTERS ARE ADJACENT TO THE INDICATED CAVITIES, BUT LOCATION AND ORIENTATION MAY DIFFER FROM PRINT.



RECOMMENDED MOUNTING HOLE PATTERN FOR 1.57 THICK P.C. BOARD



SECTION B-B



SECTION A-A SCALE 10:1

MM	IN	MM	IN	MM	IN
1.98	.078	12.70	.500	57.02	2.245
1.85	.073	9.14	.360	46.48	1.830
1.57	.062	7.37	.290	39.37	1.550
1.52	.060	6.35	.250	31.75	1.250
0.38	.015	3.81	.150	25.40	1.000
0.25	.010	2.54	.100	19.05	.750
0.13	.005	2.24	.088	17.27	.680
0.08	.003	2.11	.083	12.83	.505

CONVERSION TABLE

	PH BRZ PRE-TIN	NYLON, UL94V-2,GRAY	794368-2
OBSOLETE	PH BRZ PRE-TIN	NYLON, UL94V-2,BLUE	794368-1
	CONTACT	HOUSING	PART NO

THIS DRAWING IS A CONTROLLED DOCUMENT.

DIMENSIONS: mm	TOLERANCES UNLESS OTHERWISE SPECIFIED:	DWG: K. WHITAKER 4-24-97	CHK: R. SWING 4-24-97	APVD: M. TRULL 5-13-97	NAME: M. TRULL
0 PLC ± -	1 PLC ± -	2 PLC ± 0.13	3 PLC ± -	4 PLC ± -	ANGLES ± -
MATERIAL: SEE TABLE	FINISH: SEE TABLE	WEIGHT: -	SIZE: A1	DATE: 00779	DRAWING NO: 794368
CUSTOMER DRAWING		SCALE: 4:1	SHEET: 1 OF 1	REV: D	RESTRICTED TO: -

STE TE Connectivity
PIN HEADER ASSEMBLY, RIGHT ANGLE MOUNT, 6 POSITION, UNIVERSAL MATE-N-LOK™

X-ON Electronics

Largest Supplier of Electrical and Electronic Components

Click to view similar products for [Pin & Socket Connectors](#) category:

Click to view products by [TE Connectivity](#) manufacturer:

Other Similar products are found below :

[6450822-1](#) [770392-1](#) [794042-1](#) [796885-1](#) [8-794535-1](#) [881459-2](#) [R929993003](#) [1-350779-3](#) [1403611-1](#) [1-480349-5](#) [1586092-1](#) [1586129-1](#)
[1586487-1](#) [1586681-4](#) [1586700-1](#) [1586065-1](#) [1586077-1](#) [1586368-1](#) [1586380-1](#) [1586680-5](#) [1586681-2](#) [1604996-1](#) [16-06-0038](#) [164164-5](#) [1-](#)
[6609930-1](#) [172296-1](#) [1-794714-6](#) [19-09-2035](#) [1969804-1](#) [200503-1](#) [200788-2](#) [201046-7](#) [202648-4](#) [2029076-2](#) [2029090-4](#) [2029095-4](#) [2-](#)
[66102-6](#) [925061-7](#) [926681-1](#) [293734-4](#) [293737-2](#) [1-765362-4](#) [1-794606-3](#) [1871534-1](#) [1969795-1](#) [1969798-1](#) [1969800-1](#) [200833-4](#)
[2008625-2](#) [2029027-2](#)