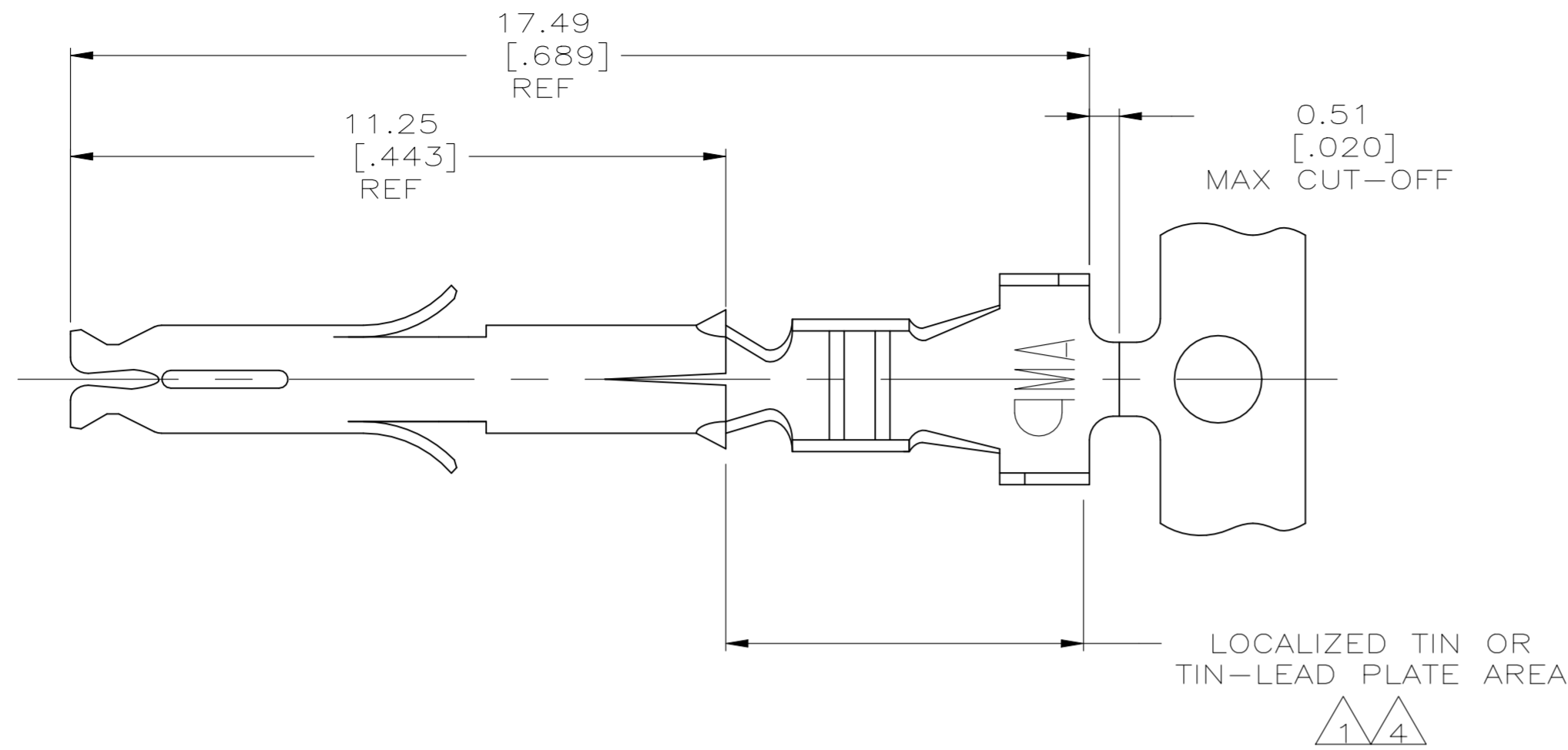
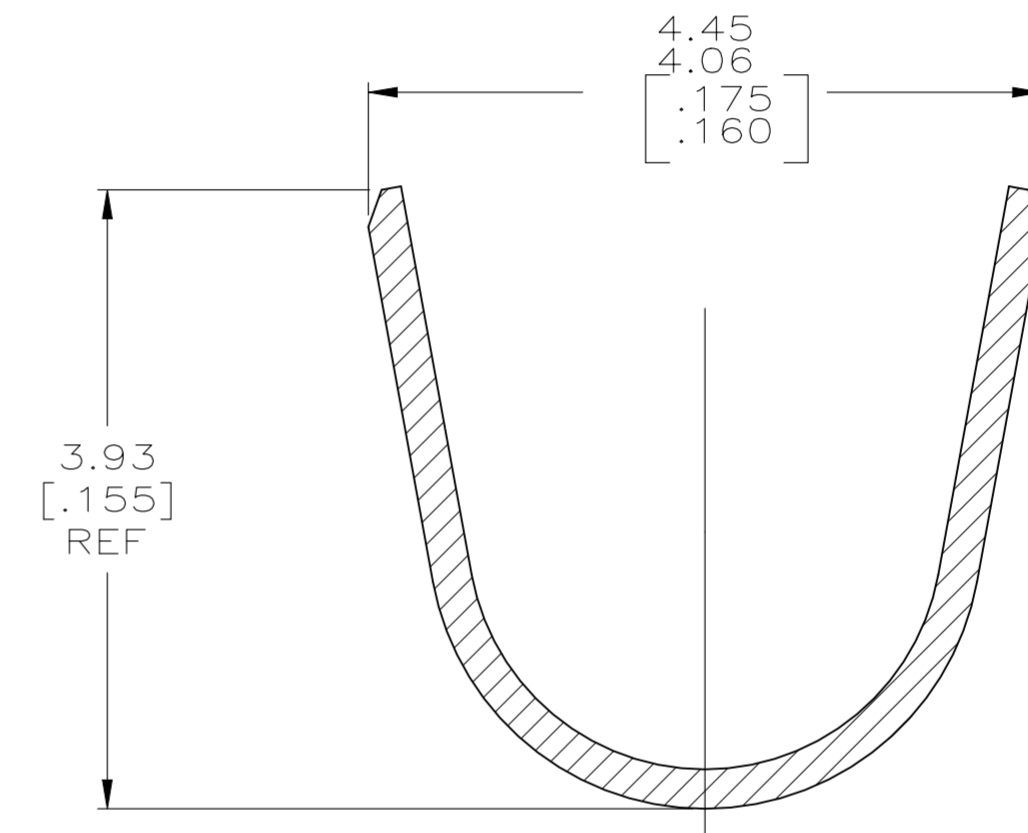
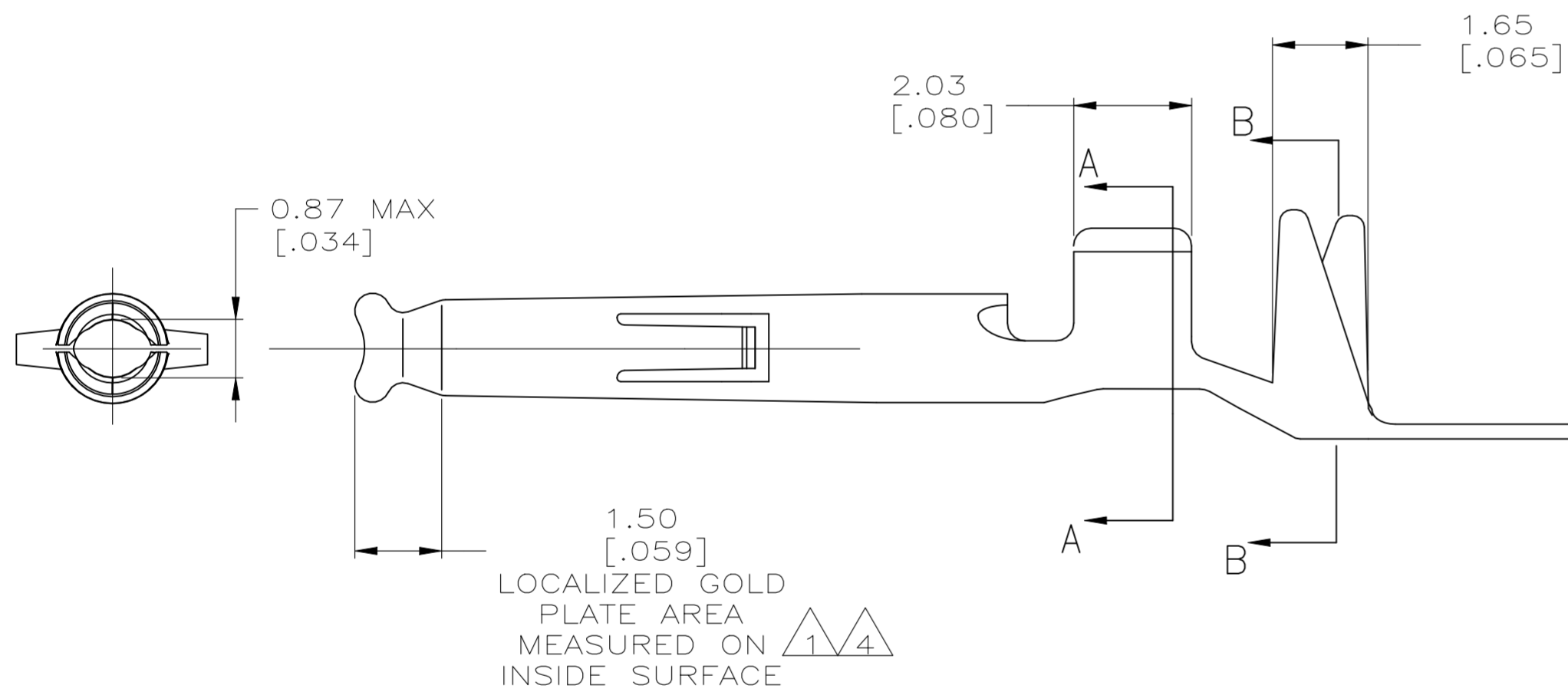


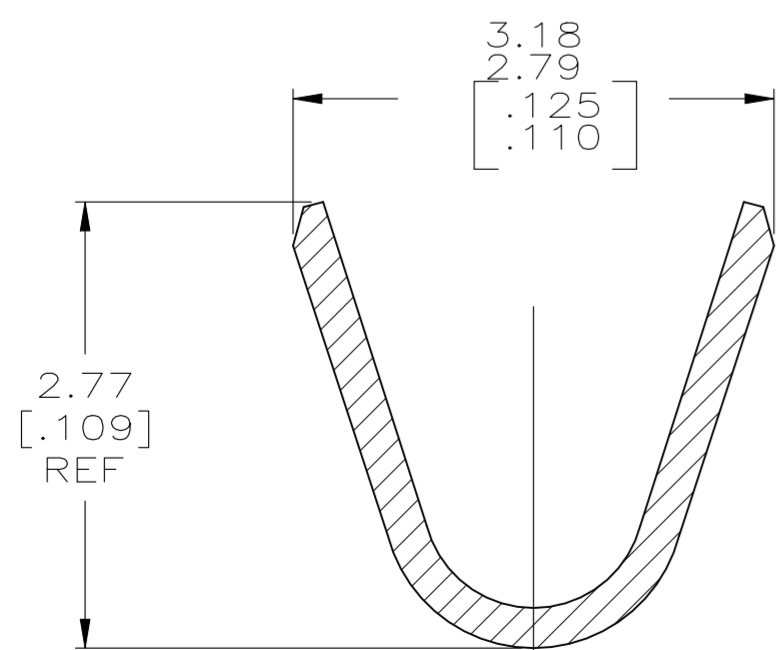
| REVISIONS |     |                           |           |     |      |
|-----------|-----|---------------------------|-----------|-----|------|
| P         | LTR | DESCRIPTION               | DATE      | DWN | APVD |
| G         |     | REVISED PER ECR-20-101152 | 02SEP2021 | PJ  | VS   |



- 1 0.00076 [.000030] MIN GOLD PER IN LOCALIZED GOLD PLATE AREA AND 0.00254-0.00635 [.000100-.000250] BRIGHT TIN-LEAD PER IN LOCALIZED TIN-LEAD PLATE AREA OVER 0.00127 [.000050] MIN NICKEL.
- 2. WIRE RANGE: 0.5-1.4MM<sup>2</sup> (20-16 AWG).
- 3. INSULATION RANGE: 2.01-3.20[.079-.126] DIA.
- 4 0.00076 [.000030] MIN GOLD PER IN LOCALIZED GOLD PLATE AREA AND 0.00254-0.00635 [.000100-.000250] MATTE TIN IN LOCALIZED TIN PLATE AREA OVER 0.00127 [.000050] MIN NICKEL.



SECTION B-B  
SCALE 20:1



SECTION A-A  
SCALE 20:1

SUPERCEDED BY 1-794407-0

| FINISH  | MATERIAL                | PART NUMBER |
|---------|-------------------------|-------------|
| 4       | 0.20 [.008] PH BRZ      | 1-794407-1  |
| 4       | 0.20 [.008] BRASS       | 1-794407-0  |
| 1       | 0.25 [.010] PHOS BRONZE | 794407-6    |
| PRE-TIN | 0.25 [.010] PHOS BRONZE | 794407-4    |
| 1       | 0.25 [.010] BRASS       | 794407-3    |
| PRE-TIN | 0.25 [.010] BRASS       | 794407-1    |

|  |  |                               |  |                    |
|--|--|-------------------------------|--|--------------------|
| THIS DRAWING IS A CONTROLLED DOCUMENT. |  | DWN<br>S. HOOVER<br>10JAN03   | <b>STE</b> TE Connectivity                       |                    |
| DIMENSIONS:<br>mm [INCHES]             |  | CHK<br>C. JONES<br>10JAN03    |  |                    |
| TOLERANCES UNLESS OTHERWISE SPECIFIED: |  | APVD<br>C. JONES<br>10JAN03   | NAME<br>SOCKET,<br>MINI UNIVERSAL MATE-N-LOK(TM) |                    |
| 0 PLC ± -                              |  | PRODUCT SPEC<br>108-5142      | RESTRICTED TO                                    |                    |
| 1 PLC ± -                              |  | APPLICATION SPEC<br>114-16017 | SIZE<br>A2                                       | CAGE CODE<br>00779 |
| 2 PLC ± 0.13[.005]                     |  | WEIGHT<br>0.000000            | DRAWING NO<br>C=794407                           | SCALE<br>10:1      |
| 3 PLC ± -                              |  | CUSTOMER DRAWING              | SHEET<br>1 of 1                                  | REV<br>G           |
| 4 PLC ± -                              |  |                               |  |                    |
| ANGLES ± -                             |  |                               |  |                    |
| FINISH                                 |  |                               |  |                    |

## X-ON Electronics

Largest Supplier of Electrical and Electronic Components

*Click to view similar products for [Pin & Socket Connectors](#) category:*

*Click to view products by [TE Connectivity](#) manufacturer:*

Other Similar products are found below :

[6450822-1](#) [770392-1](#) [794042-1](#) [796885-1](#) [8-794535-1](#) [PLR3455ACS-222](#) [R929991004](#) [R929993003](#) [1403611-1](#) [1-480349-5](#) [152302-5](#)  
[153211-2](#) [1586092-1](#) [1586129-1](#) [1586681-4](#) [1586700-1](#) [1586368-1](#) [1586380-1](#) [1586616-1](#) [1586680-5](#) [16-06-0038](#) [164164-5](#) [1-6609930-1](#)  
[172296-1](#) [19-09-2035](#) [200503-1](#) [200788-2](#) [2029090-4](#) [2029095-4](#) [925061-7](#) [293734-4](#) [293737-2](#) [1-765362-4](#) [1871534-1](#) [200833-4](#)  
[2008625-2](#) [2029027-2](#) [2029096-4](#) [R929991000](#) [R929991002](#) [R929993000](#) [319-10-101-00-005000](#) [319-10-102-00-001000](#) [319-10-104-00-001000](#) [319-10-105-00-001000](#) [319-10-108-00-001000](#) [319-10-112-00-006000](#) [39-01-8019](#) [319-10-101-00-001000](#) [319-10-102-00-005000](#)